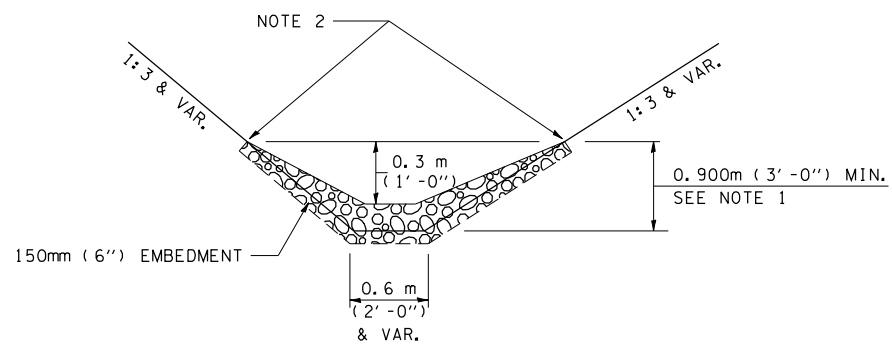


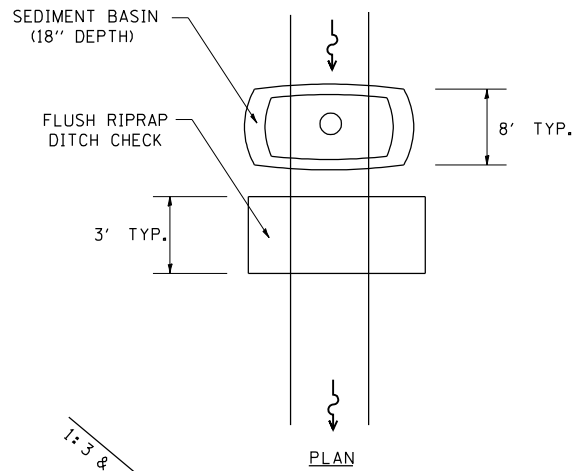
PLAN



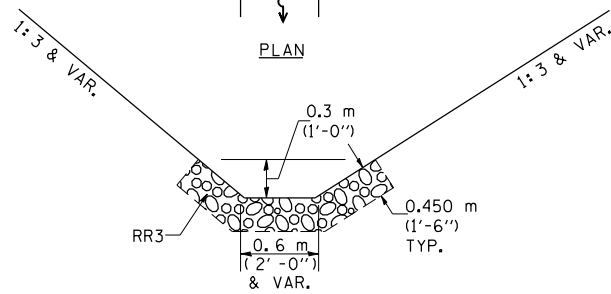
ELEVATION

OPTION 1

(EXTRUDING DITCH CHECK)  
RECOMMENDED FOR AREAS  
W/ RIPRAP DITCH LINING



PLAN



ELEVATION

OPTION 2

(FLUSH DITCH CHECK)  
RECOMMENDED FOR AREAS  
W/O RIPRAP DITCH LINING

**STONE DUMPED RIPRAP DITCH CHECK**

OPTIONS 1 & 2 OR  
AS DIRECTED BY THE ENGINEER

NOTE 1: RIPRAP SHALL EXTEND FAR ENOUGH UP THE SLOPES TO ALLOW 0.3m (1') OVERTOPPING TO AVOID ERODING AROUND THE EDGES OF THE RIPRAP.

NOTE 2: ENDS SHALL BE TIED INTO SLOPES.

**LEGEND FOR STORM WATER POLLUTION PREVENTION PLAN**

ITEM	SYMBOL
AGGREGATE DITCH CHECKS	
INLET PIPE PROTECTION	
PERIMETER EROSION BARRIER	
SEDIMENT BASINS	
EARTH EXCAVATION FOR EROSION CONTROL AGGREGATE (EROSION CONTROL)	
PRESERVE EXISTING TREES, WOODLANDS, AND UNDERSTORY (OUTSIDE CONSTRUCTION LIMITS)	
ITEM PLACED AT BEGINNING OF CONSTRUCTION (Requirement)	* ITEM *
ITEM PLACED AS DIRECTED BY ENGINEER (When required by situation)	ITEM
DIRECTION OF OVERLAND FLOW	

GENERAL NOTES:

All items shall be constructed as shown on this sheet, on Standard 280001, and as directed by the Engineer.

FILE NAME =	USER NAME = g_jameson	DESIGNED -	REVISED - AUG 2007 (JCN)
I:\jobs\1dot.d\6\7537_ptb 158-028\7537.0	cadd\cadd sheets\D672A61-SHT-SWPPP.dgn	DRAWN - CADD	REVISED - OCT 2010 (JCN)
SWPPLAN.DGN	PLOT SCALE = 40.000' / IN.	CHECKED - JCN	REVISED - MAY 2012 (JPM)
	PLOT DATE = 8/16/2013	DATE - APRIL 5, 1999	REVISED -

**STATE OF ILLINOIS  
DEPARTMENT OF TRANSPORTATION**

<b>STORM WATER POLLUTION PREVENTION PLAN</b>	
SCALE: NTS	SHEET NO. 1 OF 4 SHEETS
STA.	TO STA.

F.A.P. RTE.	SECTION	COUNTY	TOTAL SHEETS	SHEET NO.
*	(4)1, 136B-1	CHRISTIAN	97	32
	75(IL 29) & 714(IL 48)	CONTRACT NO. 72A61		
ILLINOIS FED. AID PROJECT				