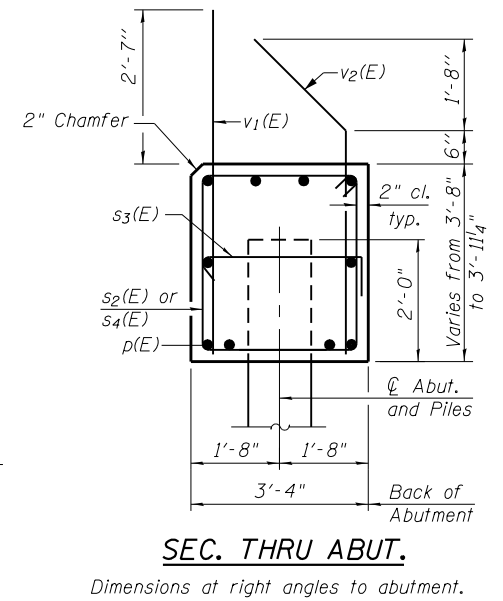
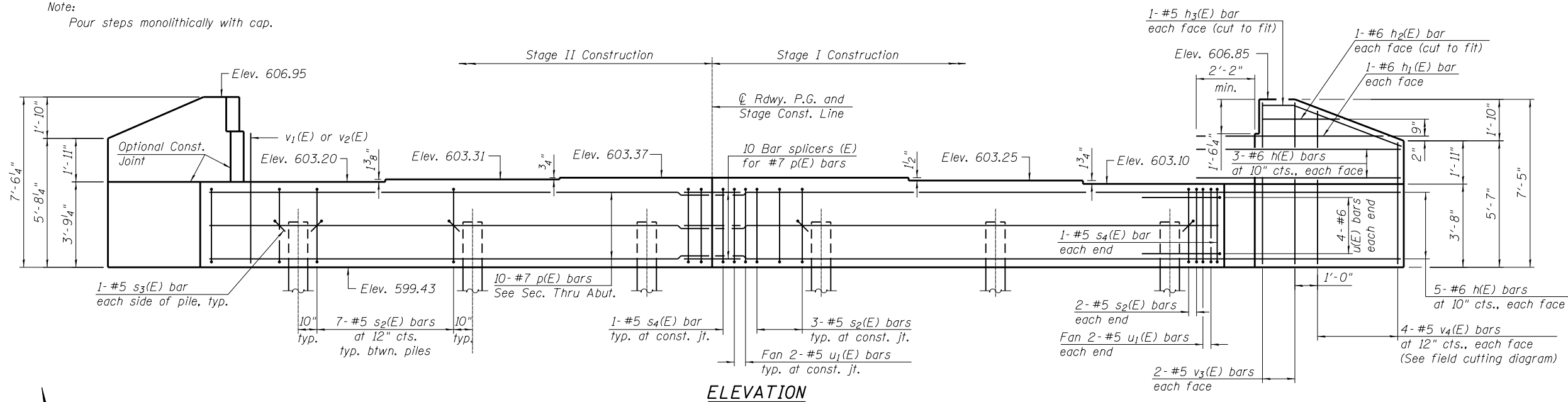


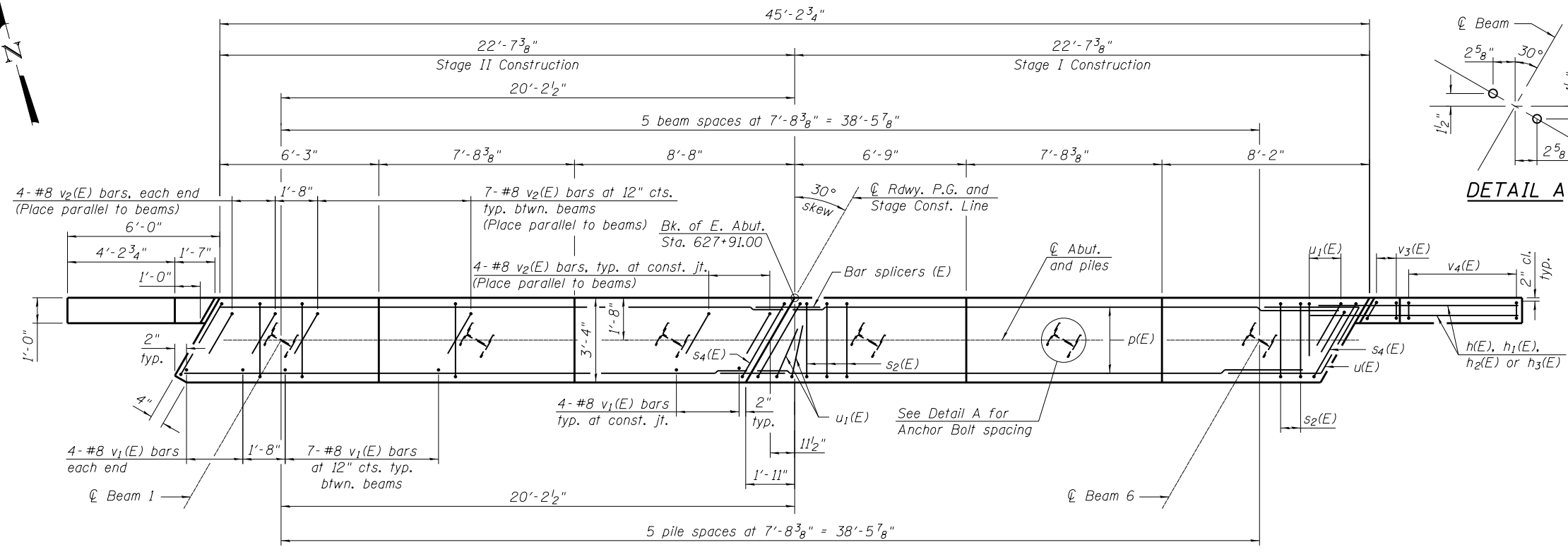
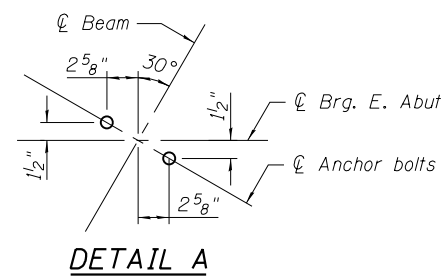
Note:
Pour steps monolithically with cap.



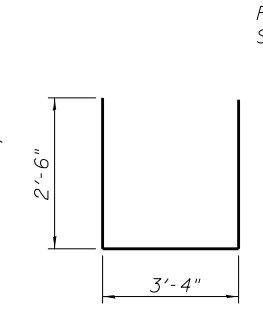
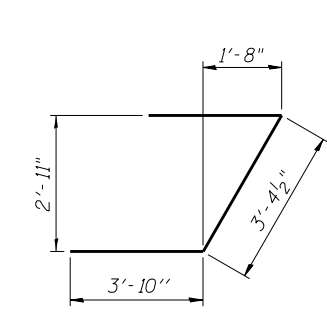
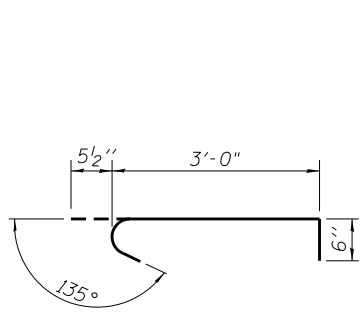
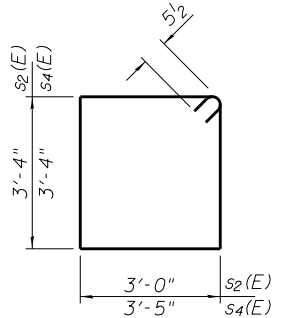
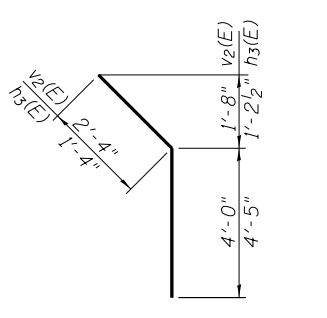
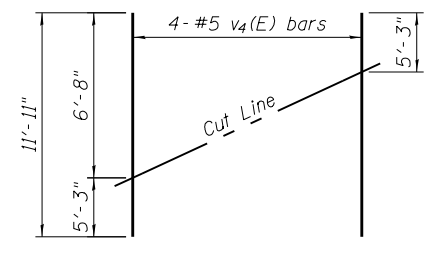
BILL OF MATERIAL

Bar	No.	Size	Length	Shape
h(E)	32	#6	8'-5"	
h1(E)	4	#6	7'-10"	
h2(E)	4	#6	3'-2"	
h3(E)	4	#5	5'-9"	
p(E)	20	#7	22'-3"	
s2(E)	38	#5	13'-7"	□
s3(E)	12	#5	4'-0"	□
s4(E)	4	#5	14'-5"	□
u(E)	8	#6	11'-1"	≡
u1(E)	8	#5	8'-4"	≡
v1(E)	44	#8	6'-1"	≡
v2(E)	44	#8	6'-4"	≡
v3(E)	8	#5	7'-1"	≡
v4(E)	8	#5	11'-11"	≡
Structure Excavation			Cu. Yd.	137
Concrete Structures			Cu. Yd.	24.3
Reinforcement Bars, Epoxy Coated			Pound	3,880
Bar Splicers			Each	10
Furnishing Steel Piles HP 12 x 53			Foot	190
Driving Piles			Foot	190
Test Pile Steel HP 12 x 53			Each	1

For details of piles, see Sheet 21 of 31.
For details of bar splicers, see Sheet 20 of 31.
Space reinforcement in cap to miss anchor bolts.

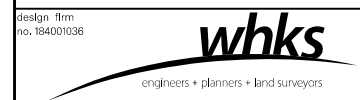


PLAN



PILE DATA

Type: Steel HP 12 x 53
Nominal Required Bearing: 419k
Factored Resistance Available: 230k
Est. Length: 38 ft.
No. Production Piles: 5
No. Test Piles: 1



USER NAME = *OPERATOR*	DESIGNED - TJZ	REVISED
FILE NAME = 0110514-72A61.dgn	CHECKED - CWC	REVISED
PLOT SCALE = 0:2.0000 1" = 16'	DRAWN - DLH	REVISED
PLOT DATE = 8/16/2013	CHECKED - TJZ	REVISED

STATE OF ILLINOIS
DEPARTMENT OF TRANSPORTATION

EAST ABUTMENT
STRUCTURE NO. 011-0514

SHEET NO. 17 OF 31 SHEETS

F.A.P. RTE.	SECTION	COUNTY	TOTAL SHEETS	SHEET NO.
	(4)I; 136B-1	CHRISTIAN	97	57
	75 (IL 27) & 714 (IL 48)	CONTRACT NO. 72A61		

ILLINOIS FED. AID PROJECT