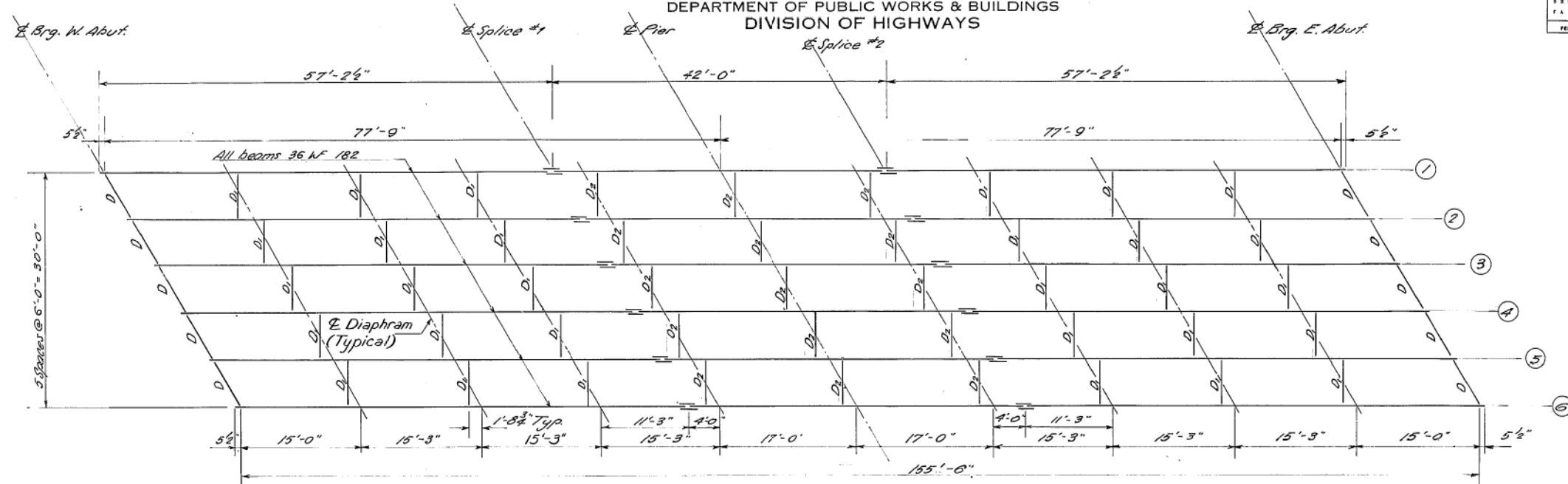
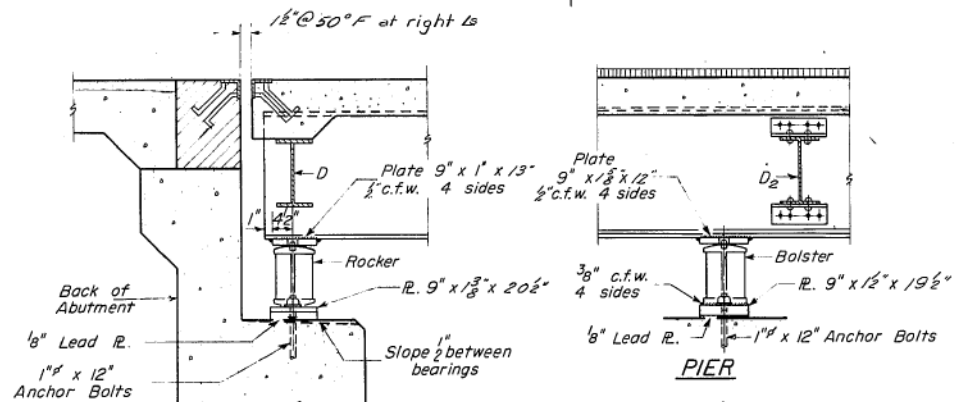


STATE OF ILLINOIS
DEPARTMENT OF PUBLIC WORKS & BUILDINGS
DIVISION OF HIGHWAYS

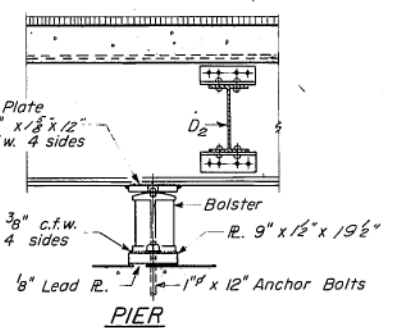
ROUTE NO.	SECTION	COUNTY	TOTAL SHEETS	SHEET NO.	SHEET NO. 3 8 SHEETS
48	136BR	Christian	26	8	
ILLINOIS FED. AID PROJECT					



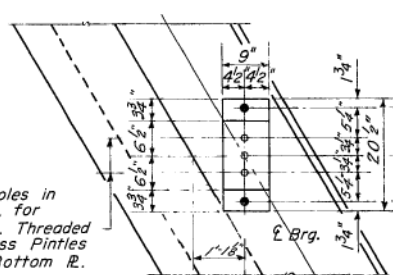
STRUCTURAL STEEL LAYOUT



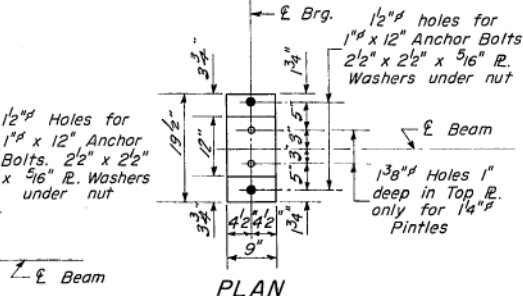
SECTION AT ABUTMENT



PIER

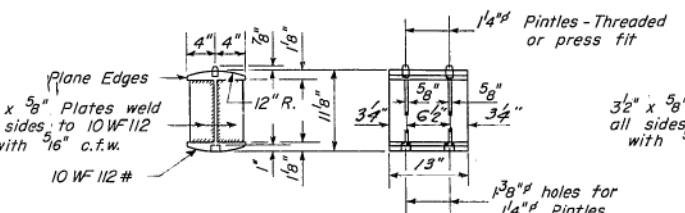


PLAN

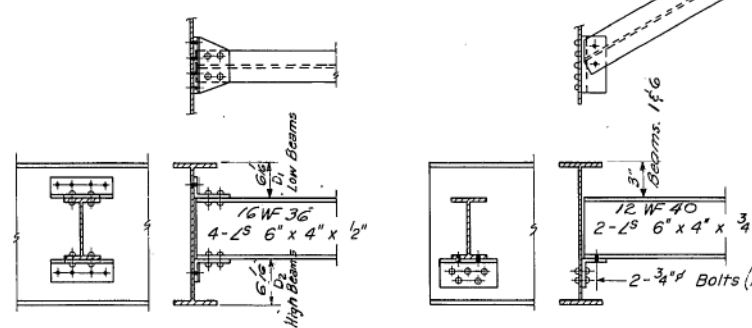


PLAN

DETAIL OF PINTLE

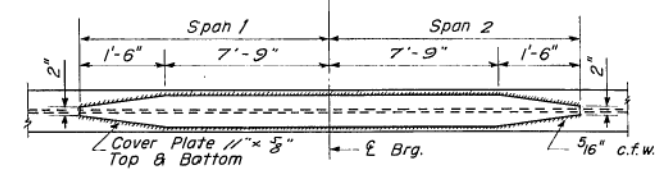


DETAIL OF BEARING AT ABUTMENTS

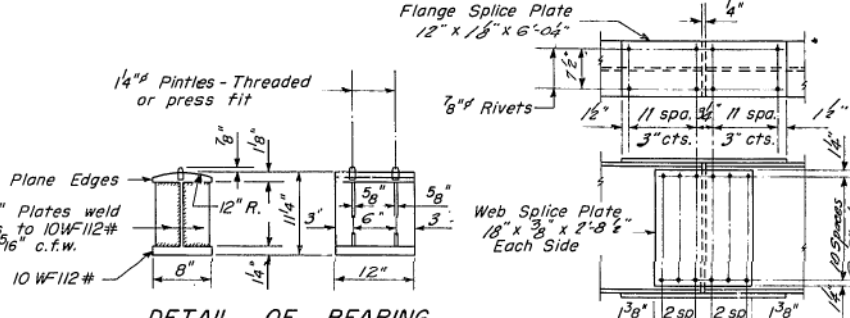


DIAPHRAGM D1 & D2
30 Required D1
15 Required D2

DIAPHRAGM D
10 Required

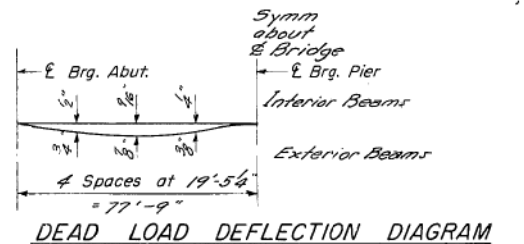


DETAIL OF COVER PLATES



DETAIL OF BEARING AT PIER

DETAIL OF SPLICE



DEAD LOAD DEFLECTION DIAGRAM

ELEVATION TOP OF BEAMS

BEAM	Brig. W. Abut.	Splice 1	Pier	Splice 2	Brig. E. Abut.
1#6	604.90	604.90	604.90	604.90	604.90
2#5	605.02	605.02	605.02	605.02	605.02
3#4	605.08	605.08	605.08	605.08	605.08

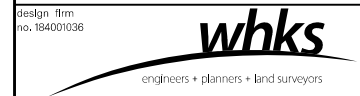
STRUCTURAL STEEL
S.B.I. RT. 48 Sec. 136-BR
CHRISTIAN COUNTY
STATION 627+01.00

DESIGNED	J. F. Otto
CHECKED	W. A. Sausman
DRAWN	W. A. Sausman
CHECKED	W. A. Sausman

APRIL 27 1960
EXAMINED V. M. Roszinski
PASSED E. J. Shurt
APPROVED R. R. Benthley

I-2-R Re-drawn 9-23-59

FOR INFORMATION ONLY



USER NAME = *OPERATOR*	DESIGNED - TJZ	REVISED
FILE NAME = 0110514-72A61.dgn	CHECKED - CWC	REVISED
PLOT SCALE = 0:2.0000 1' = 1/4"	DRAWN - DLH	REVISED
PLOT DATE = 8/16/2013	CHECKED - TJZ	REVISED

STATE OF ILLINOIS
DEPARTMENT OF TRANSPORTATION

EXISTING BRIDGE PLANS
STRUCTURE NO. 011-0514
SHEET NO. 28 OF 31 SHEETS

F.A.P. RTE.	SECTION	COUNTY	TOTAL SHEETS	SHEET NO.
75 (IL 27) & 714 (IL 48)	(4)I; 136B-1	CHRISTIAN	97	68
CONTRACT NO. 72A61				

ILLINOIS FED. AID PROJECT