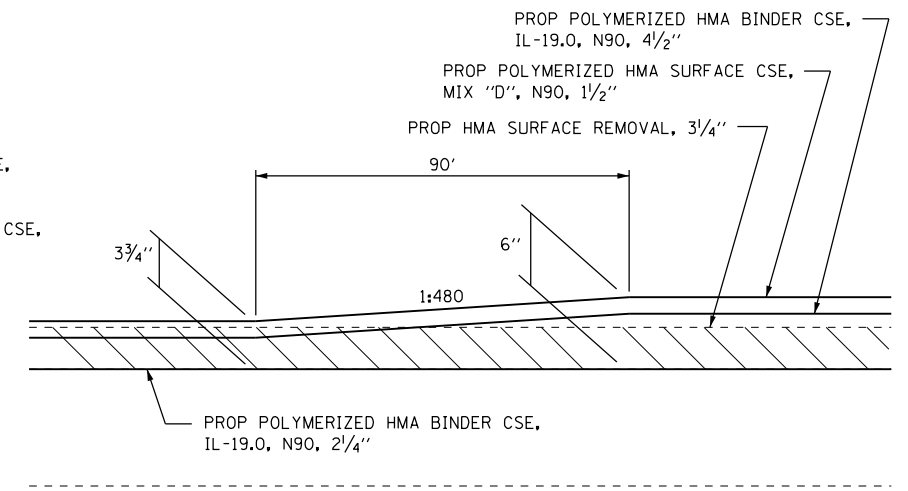


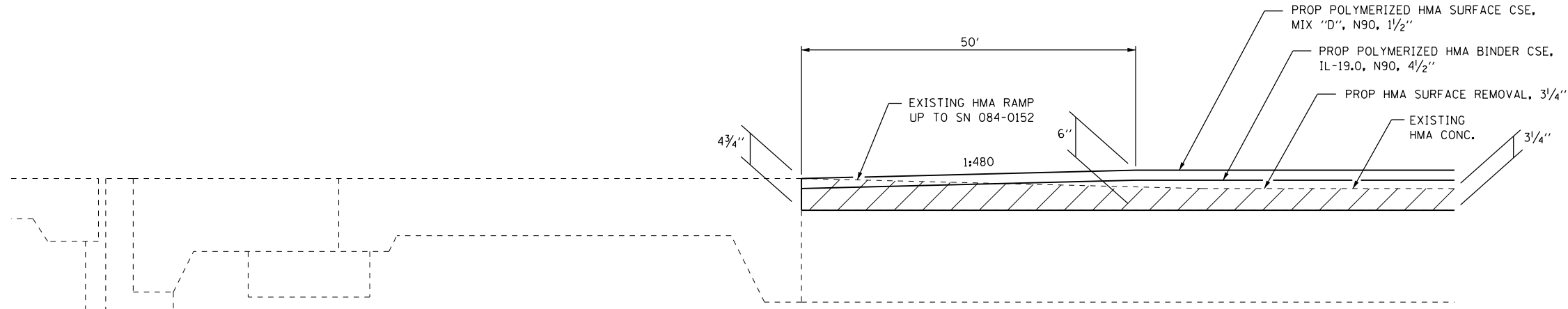
HMA RAMP DETAIL I-72

STA. 46+70.00 TO STA. 51+00.00 WB STA. 46+52.00 TO STA. 50+82.00 EB
 STA. 158+80.00 TO STA. 163+00.00 WB STA. 159+03.00 TO STA. 163+33.00 EB
 STA. 267+08.00 TO STA. 271+38.00 WB STA. 267+08.00 TO STA. 271+38.00 EB



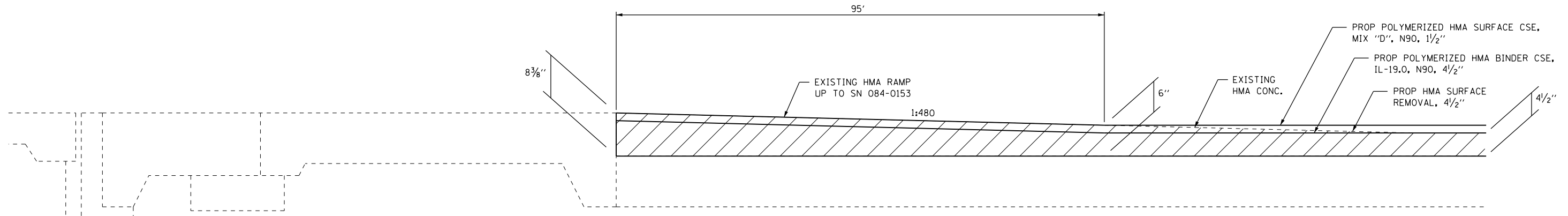
HMA RAMP DETAIL I-72 INTERCHANGE RAMP

STA. 106+62 TO STA. 107+52 RAMP A MECHANICSBURG RD.
 STA. 214+00 TO STA. 214+90 RAMP B MECHANICSBURG RD.
 STA. 306+62 TO STA. 307+52 RAMP C MECHANICSBURG RD.
 STA. 411+88 TO STA. 412+78 RAMP D MECHANICSBURG RD.
 STA. 106+62 TO STA. 107+52 RAMP A TR 420
 STA. 212+52 TO STA. 213+42 RAMP B TR 420
 STA. 306+62 TO STA. 307+52 RAMP C TR 420
 STA. 410+75 TO STA. 411+65 RAMP D TR 420



BUTT JOINT DETAIL WB, E. ABUTMENT, SN 084-0152, I-72

STA. 202+88.00 TO 203+38.00 WB



BUTT JOINT DETAIL EB, E. ABUTMENT, SN 084-0153, I-72

STA. 202+74.00 TO 203+69.00 EB

USER NAME = sparksgw	DESIGNED - BTM	REVISED -	STATE OF ILLINOIS DEPARTMENT OF TRANSPORTATION	BUTT JOINT & RAMP DETAILS			F.A.I. RTE.	SECTION	COUNTY	TOTAL SHEETS	SHEET NO.
PLOT SCALE = 2.0000' / in.	DRAWN - BTM	REVISED -					I-72	*	SANGAMON	194	57
PLOT DATE = Sep-06-2013 08:26:19AM	CHECKED - JSA	REVISED -		SCALE:	SHEET NO.	OF SHEETS	STA.	TO STA.	* (84-10-1)RS-3, (84-10-2)RS-4 CONTRACT NO. 72C90		
	DATE - 12/19/12	REVISED -		ILLINOIS FED. AID PROJECT							

FILE NAME = c:\pwwork\pwwork\sparksgw\d0330228\0672C90-Sht-Bt Jt Detail.dgn