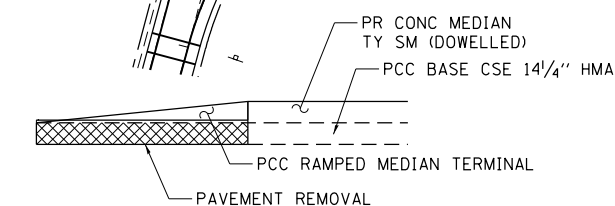
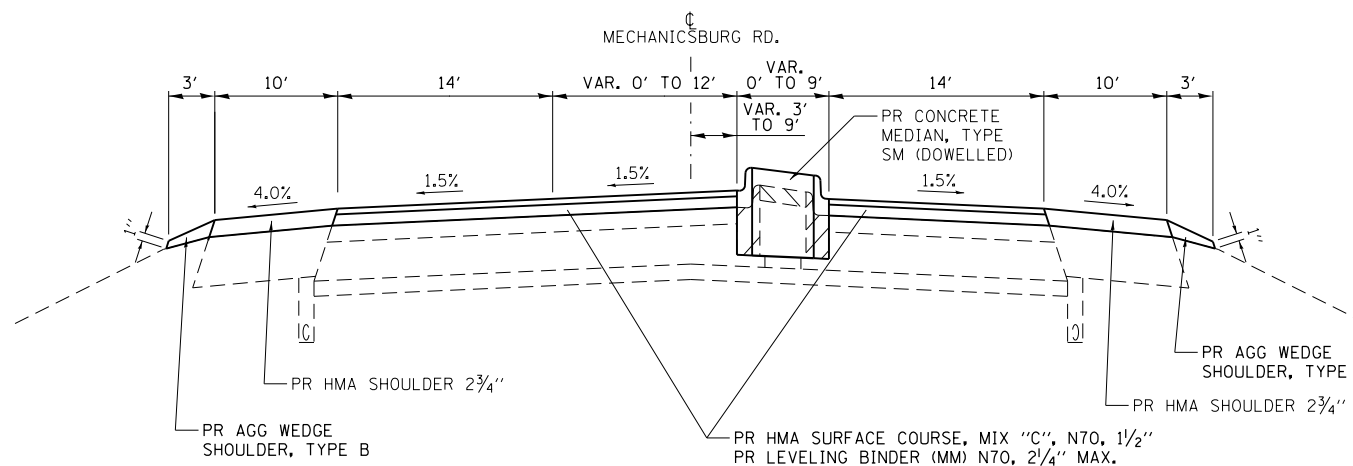


SEQUENCE OF OPERATIONS

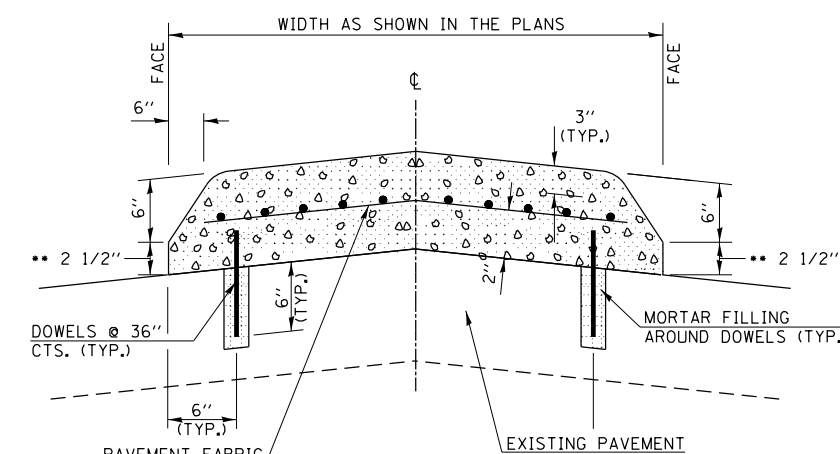
1. CONSTRUCT CONCRETE MEDIAN TYPE SM (DOWELLED)
2. REMOVE 6 FOOT OF PCC BASE COURSE 1 1/4" AND CONSTRUCT PCC RAMPED MEDIAN TERMINALS.
3. MILL EXISTING HMA OVERLAY AT EACH END OF BRIDGE AND BUTT JOINTS.
4. PLACE LEVELING BINDER, HMA SURFACE COURSE, HMA SHOULDERS, AND AGGREGATE SHOULDERS.
5. INSTALL PAVEMENT MARKINGS



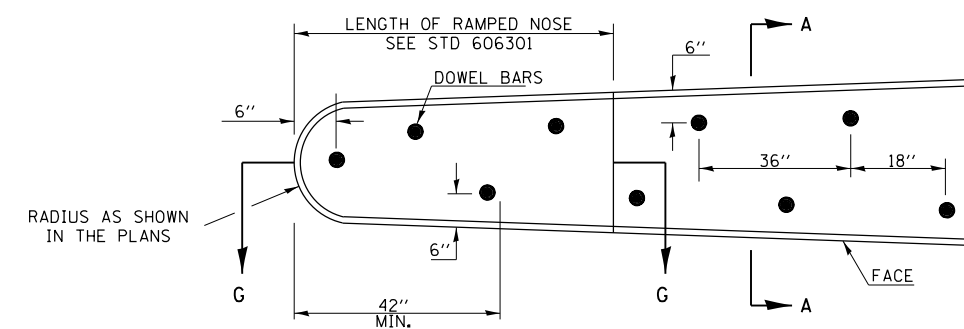
PCC RAMPED MEDIAN TERMINAL



STA. 94+84.16 TO STA. 98.46.99
 STA. 101+63.10 TO STA. 105+10.33



SECTION A-A



PLAN OF CONCRETE MEDIAN TY SM (DOWELLED)

USER NAME = sparksgw	DESIGNED - BTM	REVISED -
	DRAWN - BTM	REVISED -
PLOT SCALE = 100.0002' / in.	CHECKED - JSA	REVISED -
PLOT DATE = Sep-06-2013 09:25:20AM	DATE - 12/19/12	REVISED -

STATE OF ILLINOIS
 DEPARTMENT OF TRANSPORTATION

DOWELED MEDIAN DETAIL
 CH 12 (MECHANICSBURG RD.) - FINAL PHASE

SCALE: SHEET NO. OF SHEETS STA. 94+50.00 TO STA. 108+00.00

F.A.I. RTE. 1722	SECTION *	COUNTY SANGAMON	TOTAL SHEETS 194	SHEET NO. 111
* (84-10-1RS-3,84-10-2RS-4)BR,1		CONTRACT NO. 72C90		
ILLINOIS FED. AID PROJECT				