

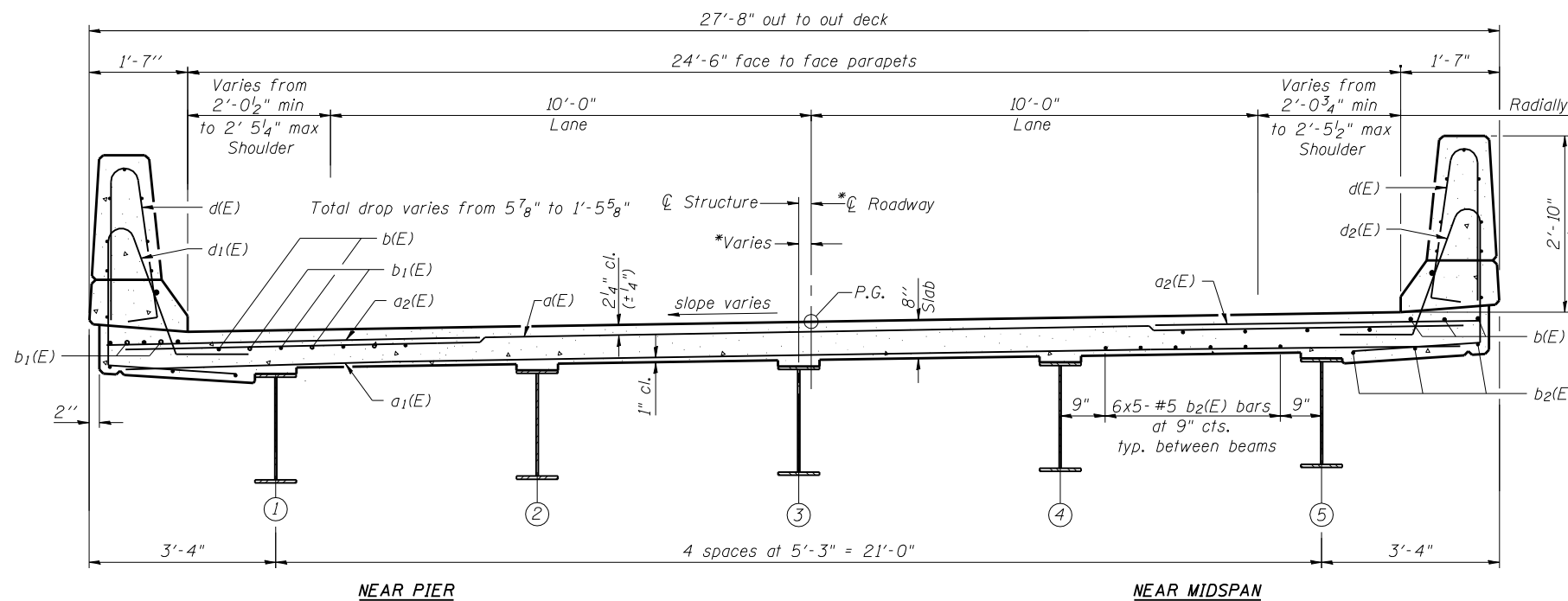
PARTIAL PLAN

*See Offset Sketch on Sheet 1 of 24.

Notes:
 Bars indicated thus 25 x 4-#5 etc. indicates 25 lines of bars with 4 lengths per line.
 See Sheet 8 of 24 for superstructure details and parapet reinforcement.
 See Sheet 9 of 24 for Section A-A, diaphragm elevation, bar details and Bill of Material.

MINIMUM BAR LAP

#5 bar = 2'-7"



CROSS SECTION
(Looking North)

FILE NAME = 74217-007-super.dgn
 PROJECT NO. 08853-5

Coombe-Bloxdorf P.C.
 CIVIL ENGINEERS
 STRUCTURAL ENGINEERS
 LAND SURVEYORS
 Design Firm License No. 184-002703

USER NAME = .CFC.	DESIGNED - GB/MCB	REVISED -
PLOT SCALE = 0:2.000000 '1' / IN.	CHECKED - MCB	REVISED -
PLOT DATE = 7/23/2013	DRAWN - TFG	REVISED -
	CHECKED - MCB	REVISED -

STATE OF ILLINOIS
DEPARTMENT OF TRANSPORTATION

SUPERSTRUCTURE
STRUCTURE NO. 093-0024

SHEET NO. 7 OF 24 SHEETS

F.A. RTE.	SECTION	COUNTY	TOTAL SHEETS	SHEET NO.
1B	(12A)B-1	WABASH	52	29
CONTRACT NO. 74217				
ILLINOIS FED. AID PROJECT				