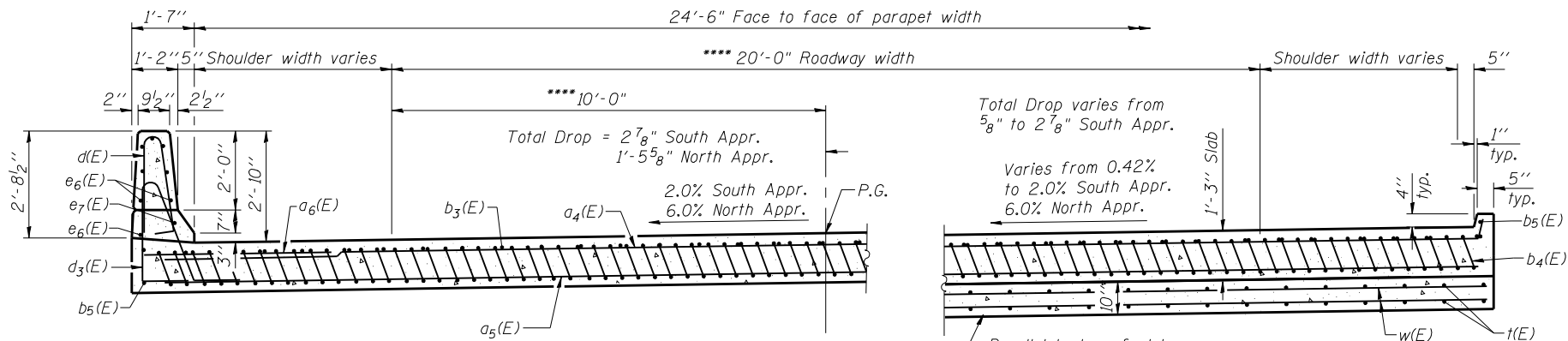


SECTION C-C

Notes:  
 See Sheets 10 and 11 of 24 for Detail A and View B-B.  
 Approach slab and parapet concrete shall be paid for as Concrete Superstructure.  
 Approach footing concrete shall be paid for as Concrete Structures.  
 Reinforcement shall be paid for as Reinforcement Bars, Epoxy Coated.  
 For v(E) bar details, see sheet 9 of 24.  
 The approach footing maximum applied service bearing pressure (Qmax) = 2.0 ksf.  
 For bar splicer details, see sheet 20 of 24.  
 Cost of excavation for approach footing included with Concrete Structures.  
 For Granular Backfill for Structures and drainage treatment details, see sheet 2 of 24.  
 For additional parapet details, see sheet 8 of 24.

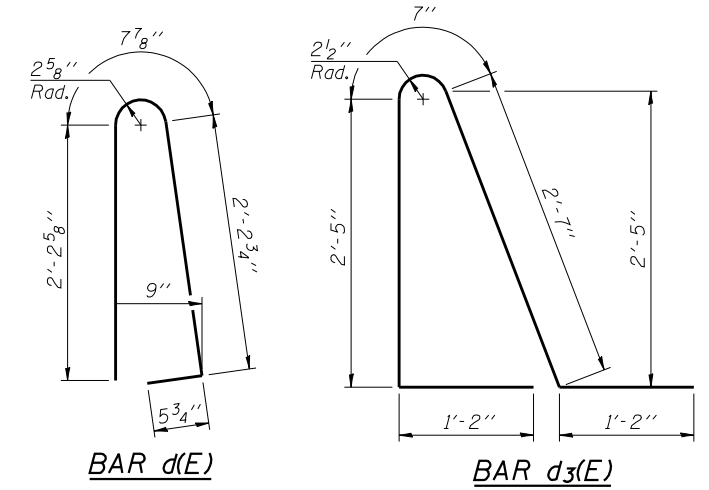


NEAR ABUTMENT

SECTION D-D

Looking North  
 (See Plan for dimensions not shown)

AT APPROACH FOOTING



BAR d(E)

BAR d3(E)

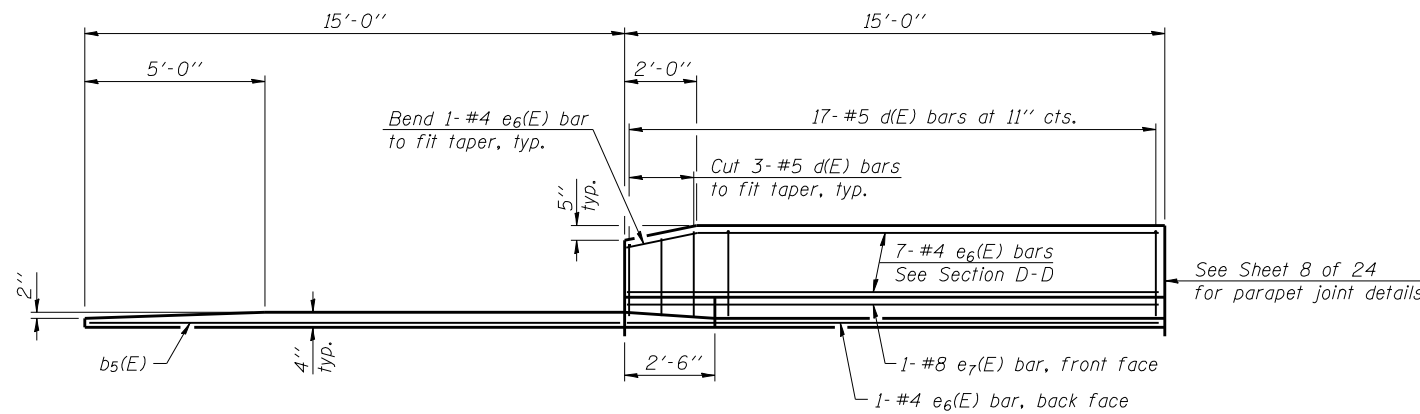
\* Tilt #9 b4(E) bars as required to maintain clearance.  
 \*\*\* Cost included with Concrete Superstructure.  
 \*\*\*\* Radially North Appr., right Ls South Appr.

TWO APPROACHES  
 BILL OF MATERIAL

Bar	No.	Size	Length	Shape
a4(E)	50	#4	26'-6"	—
a5(E)	92	#5	26'-0"	—
a6(E)	48	#6	6'-6"	—
b3(E)	42	#4	29'-8"	—
b4(E)	126	#9	29'-9"	—
b5(E)	8	#4	14'-8"	—
d(E)	68	#5	5'-7"	⤴
d3(E)	68	#5	7'-11"	⤴
e6(E)	32	#4	14'-8"	—
e7(E)	4	#8	14'-8"	—
t(E)	108	#4	9'-8"	—
w(E)	80	#5	26'-0"	—
Concrete Superstructure			Cu. Yd.	85.4
Concrete Structures			Cu. Yd.	16.2
Reinforcement Bars, Epoxy Coated			Pound	21,800

See Note A

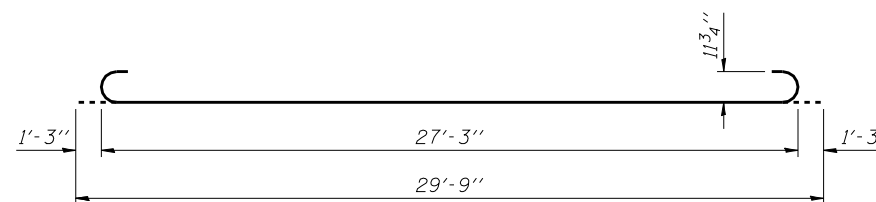
Note A: 18,930 lbs. (Superstructure)  
 2870 lbs. (Substructure)



VIEW E-E



BAR a4(E)



BAR b4(E)

FILE NAME = 74217-02-epb--slab-detail1.dgn  
 CB PROJECT NO. 00853-5

**Coombe-Bloxdorf P.C.**  
 CIVIL ENGINEERS-  
 STRUCTURAL ENGINEERS-  
 LAND SURVEYORS  
 Design Firm License No. 184-002703

USER NAME = .CFC.	DESIGNED - GB/MCB	REVISED -
PLOT SCALE = 0:2.000000 '1' / IN.	CHECKED - MCB	REVISED -
PLOT DATE = 7/23/2013	DRAWN - TFG	REVISED -
	CHECKED - MCB	REVISED -

STATE OF ILLINOIS  
 DEPARTMENT OF TRANSPORTATION

BRIDGE APPROACH SLAB DETAILS  
 STRUCTURE NO. 093-0024

SHEET NO. 12 OF 24 SHEETS

F.A. RTE.	SECTION	COUNTY	TOTAL SHEETS	SHEET NO.
IB	(12A)B-1	WABASH	52	34
			CONTRACT NO. 74217	
ILLINOIS FED. AID PROJECT				