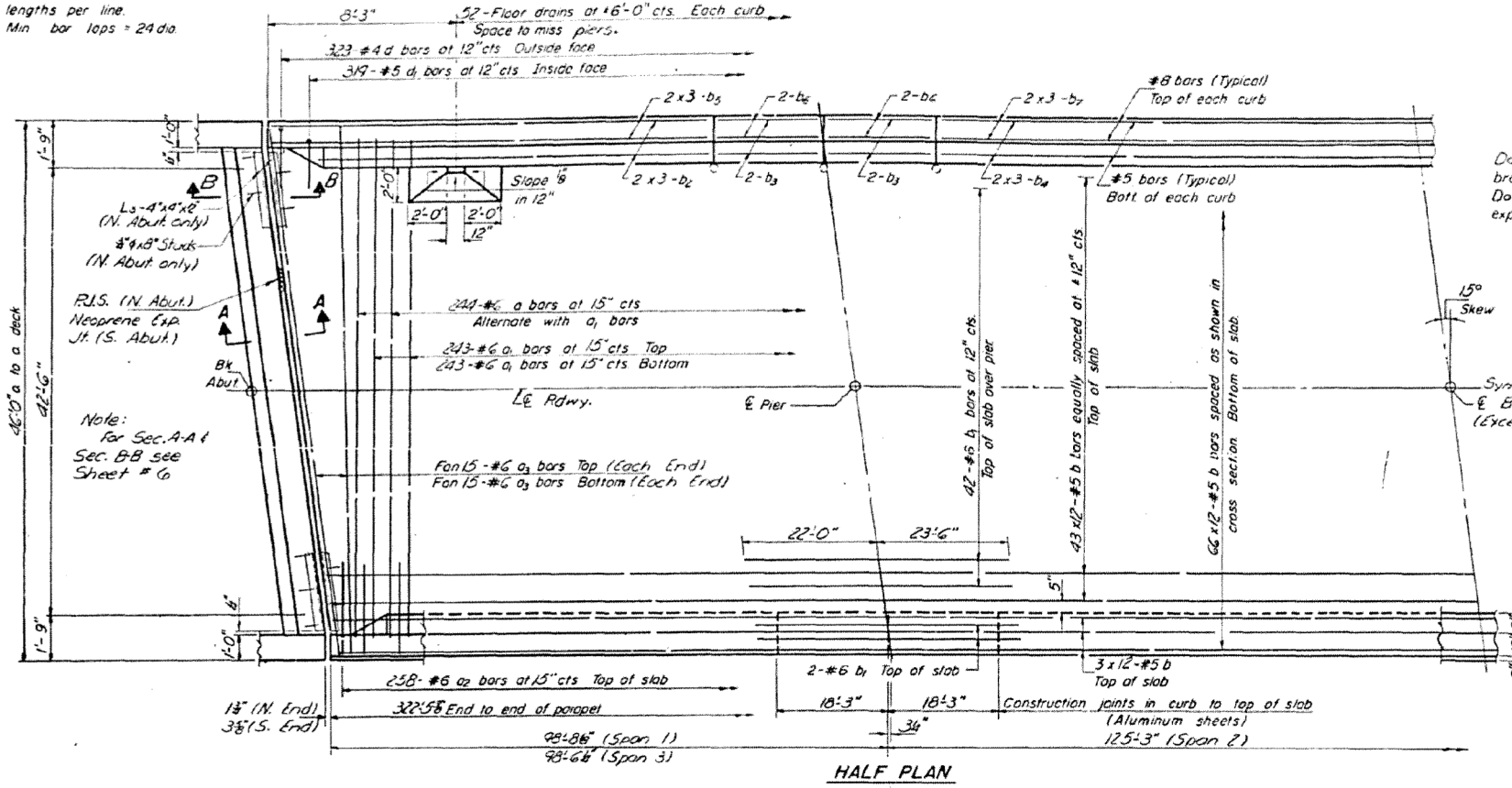


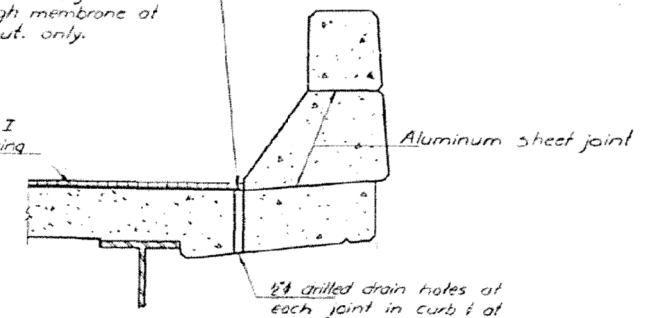
STATE OF ILLINOIS
DEPARTMENT OF TRANSPORTATION

PROJECT NO.	SECTION	COUNTY	TOTAL SHEETS	SHEET NO.
128	101 BR	SHELBY	28	12
SHEET NO. 5				
15 SHEETS				

Note
Bars indicated thus 20 x 3-#5 etc indicates 20 lines of bars with 3 lengths per line.
Min bar laps = 24 dia



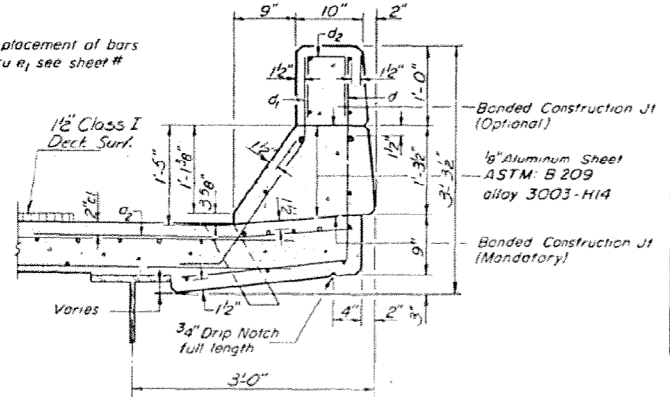
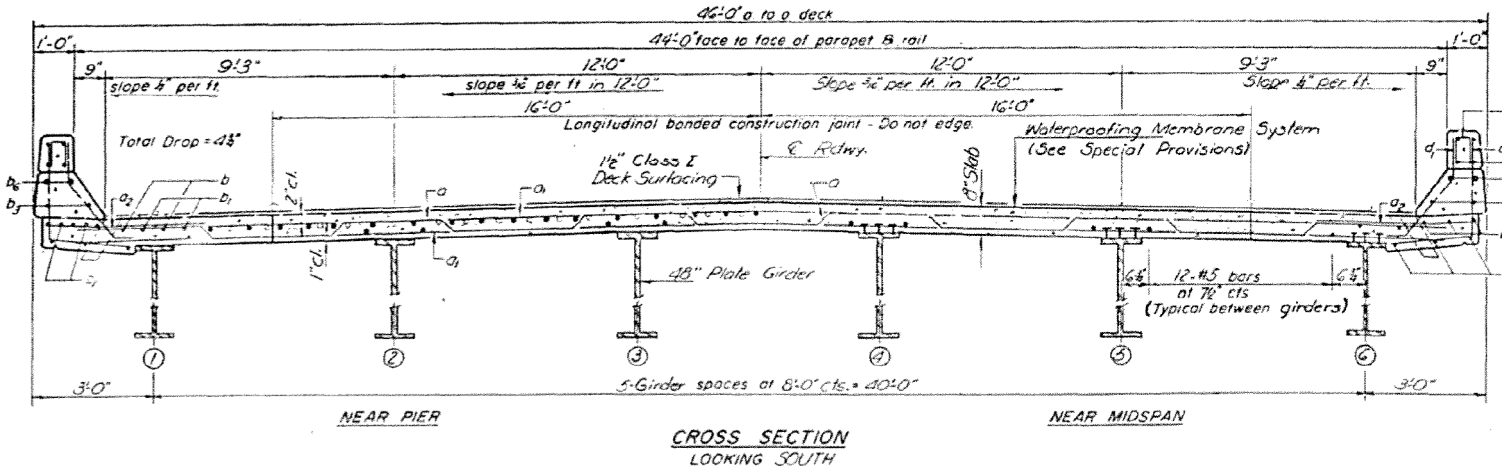
Do not provide opening in Waterproofing Membrane of aluminum sheeted curb joints.
Do provide opening through membrane of expansion joint at N. Abut. only.



BILL OF MATERIAL

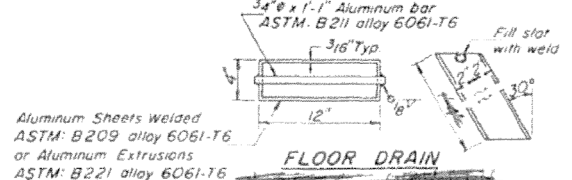
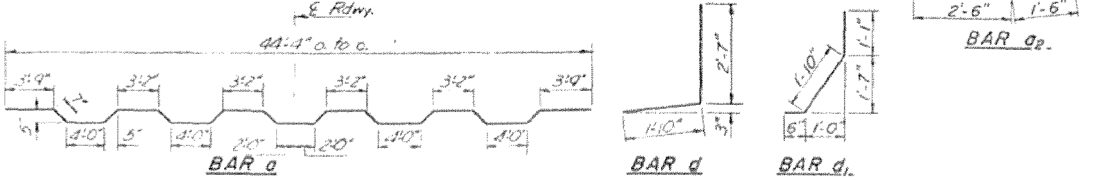
Bar	No	Size	Length	Shape
a	244	#6	46'-0"	
a1	486	#6	22'-4"	
a2	510	#6	4'-0"	
a3	60	#6	45'-4"	
b	1380	#5	28'-0"	
b1	92	#6	45'-6"	
b2	24	#5	27'-0"	
b3	16	#5	18'-0"	
b4	12	#5	30'-6"	
b5	24	#5	28'-0"	
b6	16	#8	18'-0"	
b7	12	#8	31'-0"	
a	646	#4	4'-5"	
a1	638	#5	3'-5"	
Reinforcement Bars				Pounds 112110
Stud Shear Connectors				Each 2862
Class X Concrete				Cu Yd. 228.2
Structural Steel				L.S. L.S.

Note:
Work this sheet with sheet # 6



DESIGNED *Stacy S. Lee*
CHECKED *B.R. Glahn*
DRAWN *R. Doty*
CHECKED *W.S.*

EXAMINED *Richard H. Holloman*
PASSED *W.E. Baumann*
APPROVED *Richard H. Holloman*



The lengths and quantities of longitudinal reinforcement and Class X Concrete in parapets are not included in above quantities See sheet # 10

SUPERSTRUCTURE
S.B.I. RT 128 SEC 101 BR
SHELBY COUNTY
STA 102+7500

1-4106-R (E15) 3-1-68, 12-3-69