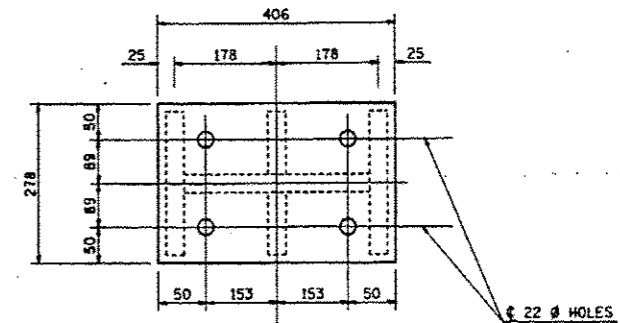
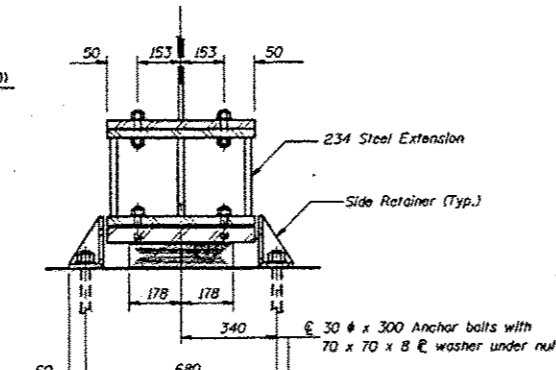
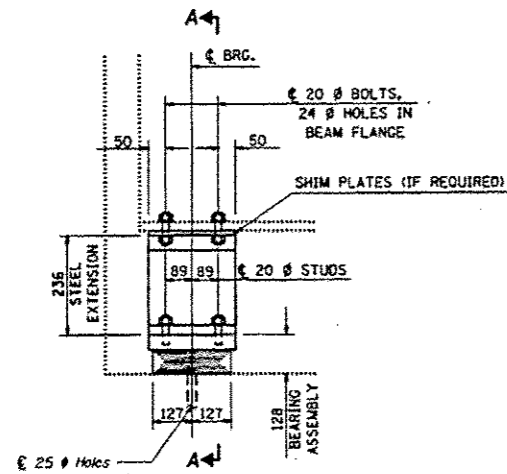


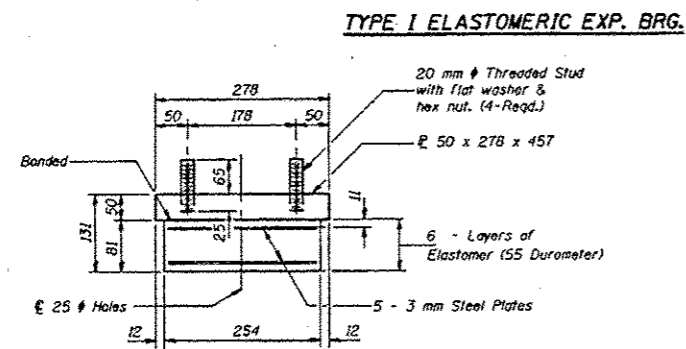
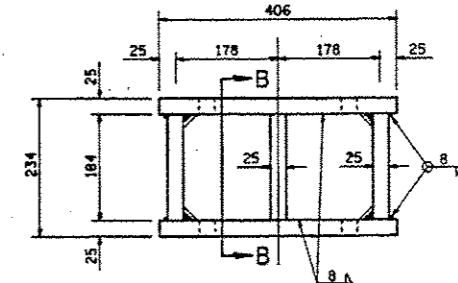
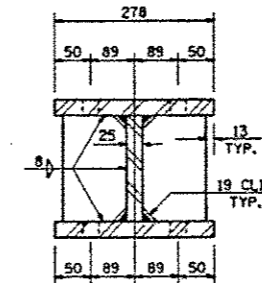
F.A. RTE.	SECTION	COUNTY	TOTAL SHEETS	SHEET NO.
774	(101BR)	SHELBY	160	82

NORTH ABUTMENT ELASTOMERIC BEARINGS

TYPE I 254 X 356

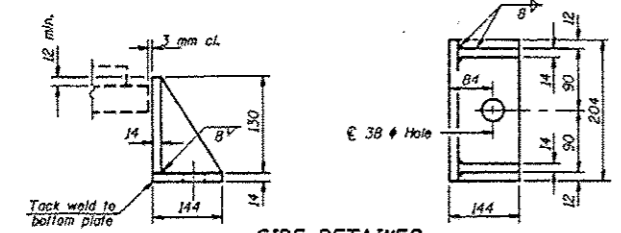


TWO 3 mm ADJUSTING SHIMS, OF THE DIMENSIONS OF THE TOP PLATE SHALL BE PROVIDED FOR EACH BEARING.



BEARING ASSEMBLY

Note: Shim plates shall not be placed under Bearing Assembly.



Equivalent rolled angle with stiffeners will be allowed in lieu of welded plates. Weight included with Structural Steel.

ALL NEW STRUCTURAL STEEL SHALL CONFORM TO AASHTO CLASSIFICATION #270 GR 250. FASTENERS SHALL BE HIGH STRENGTH BOLTS. BOLTS 20 mm ϕ , OPEN HOLES 22 mm ϕ UNLESS OTHERWISE NOTED.

THE FIRST TWO COATS OF THE LEAD AND CHROMATE FREE ALKYLID PAINT SYSTEM SHALL BE USED FOR SHOP AND FIELD PAINTING OF THE NEW STRUCTURAL STEEL.

STRUCTURAL STEEL SHALL ONLY BE CLEANED AND PAINTED AS REQUIRED BY THE SPECIAL PROVISION.

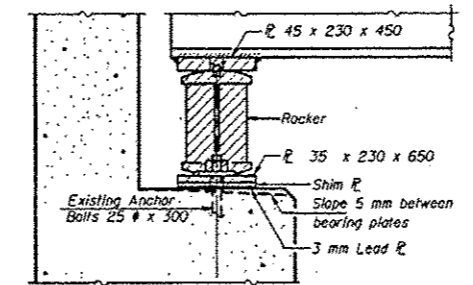
PRIOR TO ORDERING ANY MATERIAL, THE CONTRACTOR SHALL VERIFY IN THE FIELD ALL BEARING HEIGHT DIMENSIONS.

A MAXIMUM OF 4 BEAMS PER STAGE MAY BE MOVED AT ONE TIME.

DIAPHRAGM REMOVAL AND REPLACEMENT MAY BE REQUIRED TO FACILITATE DRILLING HOLES IN BOTTOM FLANGE FOR BEARING ATTACHMENT. COST IS INCIDENTAL TO "FURNISHING AND ERECTING STRUCTURAL STEEL".

NEW STEEL EXTENSIONS, CONNECTION BOLTS AND ANCHOR BOLTS ARE INCLUDED IN "FURNISHING AND ERECTING STRUCTURAL STEEL".

MINIMUM JACK CAPACITY= 520 kN.



BEFORE INSTALLING THE NEW BEARINGS, REMOVE THE TOP PLATE OF THE EXISTING BEARING ASSEMBLY FROM THE BOTTOM FLANGE USING THE AIR-ARC METHOD AND GRIND SMOOTH ALL WELD MATERIAL REMAINING ON THE BOTTOM FLANGE. BURN EXISTING ANCHOR BOLTS FLUSH WITH EXISTING CONCRETE SURFACE. GRIND EXISTING ANCHOR BOLT SMOOTH AND SEAL WITH EPOXY. COST IS INCIDENTAL TO "JACK AND REMOVE EXISTING BEARINGS".

BILL OF MATERIAL

Item	Unit	Total
Elastomeric Bearing Assembly Type I	Each	6
Furnishing & Erecting	ka	660

FILE NAME	USER NAME	DESIGNED	REVISED
0:\p\work\pwr\d\st\st\staff\m\0344954\074620-shelby.dgn	steffanek	-	-
		DRAWN	REVISED
		CHECKED	REVISED
		DATE	REVISED

STATE OF ILLINOIS
DEPARTMENT OF TRANSPORTATION

EXISTING BRIDGE PLANS
S.N. 087-0022

F.A. RTE.	SECTION	COUNTY	TOTAL SHEETS	SHEET NO.
774		SHELBY	18	12

SCALE: N/A SHEET 9 OF 15 SHEETS STA. TO STA.

07 BRIDGE PAINTING 2014-2

ILLINOISIFIED, AID PROJECT