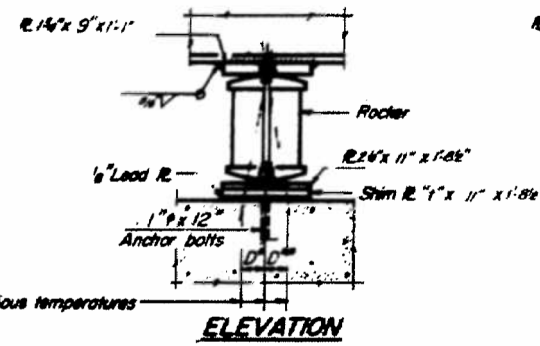
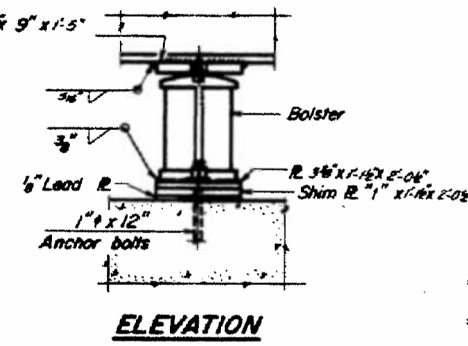


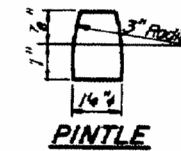
SECTION



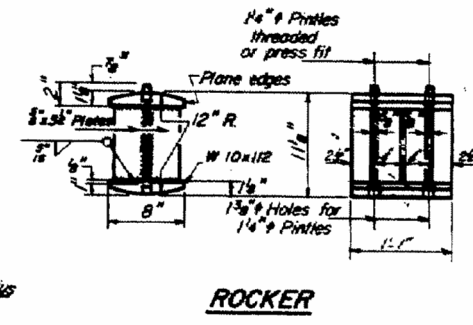
ELEVATION



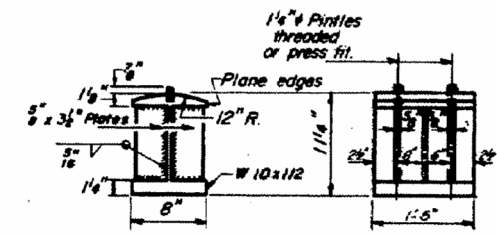
ELEVATION



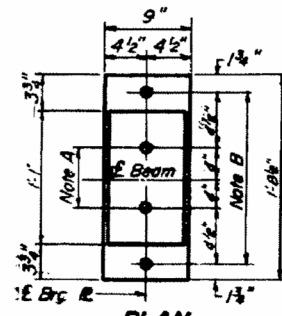
PINTLE



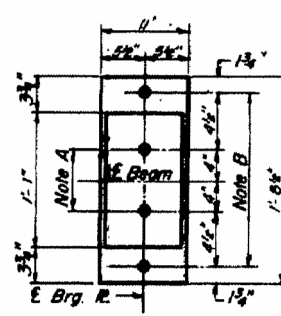
ROCKER



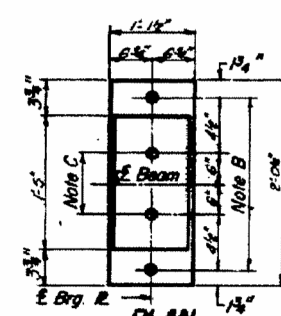
BOLSTER



PLAN AT ABUTMENT



PLAN AT PIER 1 & 3



PLAN AT PIER 2

**NOTE A**  
1 3/8" Holes - 1" deep in top R. for pintles. Thread or press fit pintles into bottom R.

**NOTE B**  
1 1/2" Holes for 1" anchor bolts. 1/4 x 2 1/2 x 2 1/2 R. Washers under nut.

**NOTE C**  
1 3/8" Holes 1" deep in top R. only for 1 1/4" pintles.

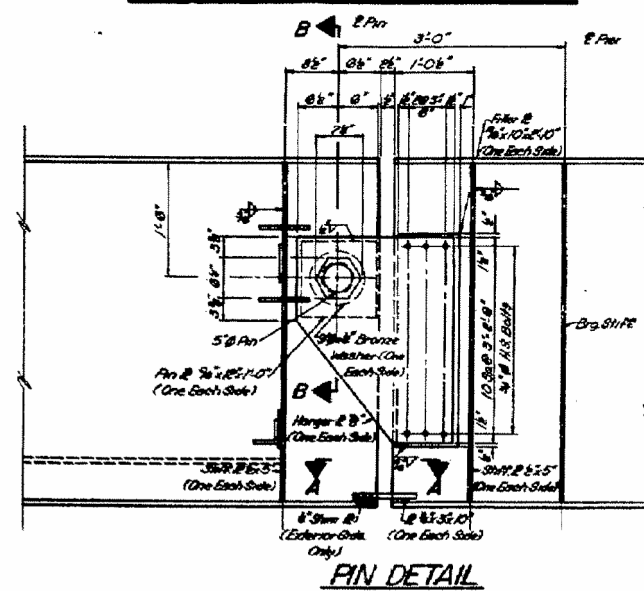
**NOTES ON SETTING OF ANCHOR BOLTS AT EXP. BRGS.**

- $D^*$  (Side of brg. away from fixed brg.)  
 $D^* = \frac{1}{8}$  per each 100' of expansion for every 15° fall below the normal temp. of 50°F.  
 $D^{**}$  (Side of brg. toward fixed brg.)  
 $D^{**} = \frac{1}{8}$  per each 100' of expansion for every 15° rise above the normal temp. of 50°F.
- After beams have been erected and dimensions  $D^*$  or  $D^{**}$  determined, holes shall be drilled and anchor bolts shall be grouted in place. All fixed anchor bolts may be built into the masonry.

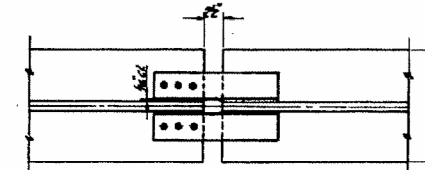
DESIGNED	K.S.V.
CHECKED	S.T.
DRAWN	N.M.P. 8-27-77
CHECKED	K.S.V.

I-2-B 9-1-65, 8-1-70

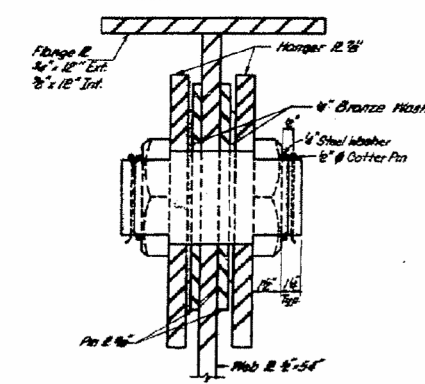
**BEARING ASSEMBLY DETAILS**



PIN DETAIL



SECTION A-A



SECTION B-B

**SHIM PLATES**

Structure	Location	Size
E.B.	N. Abut - Grader 3	5"
	N. Abut - Grader 4	5"
	Pier 1 - Grader 3	5"
	Pier 2 - Grader 3	5"
	Pier 3 - Grader 3	5"
W.B.	N. Abut - Grader 4	4"
	Pier 1 - Grader 4	5"

BEARING & PIN DETAILS  
 F.A.I.-72 SEC. 58-66-HVB  
 MACON COUNTY  
 STA. 798+54.75 (F.A.I.-72)