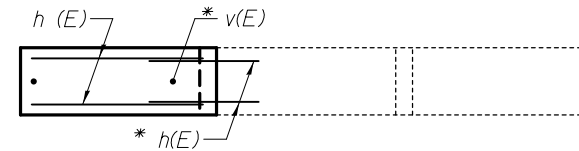
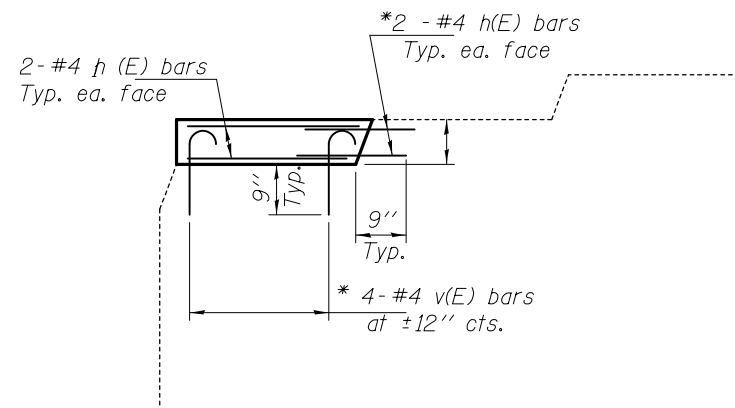


PARAPET RETROFIT DETAIL

PARAPET RETROFIT LOCATIONS						
LOCATION DESCRIPTION	STRUCTURE NUMBER	PARAPET LOCATION				TOTAL
		NE	NW	SE	SW	
EB I-64 OVER 18TH ST	082-0152	1	1	1	1	4
WB I-64 OVER 18TH ST	082-0153	1	1	1	1	4
WB I-64 OVER BAUGH AVE	082-0154	1	1	1	1	4
EB I-64 OVER BAUGH AVE	082-0155	1	1	1	1	4
EB I-64 OVER RAILROAD	082-0156	1	1	1	1	4
WB I-64 OVER RAILROAD	082-0157	1		1	1	3
EB I-64 OVER RAILROAD	082-0158	1	1	1	1	4
WB I-64 OVER RAILROAD	082-0159	1	1	1	1	4
EB I-64 OVER 25TH ST	082-0160	1	1	1	1	4
WB I-64 OVER 25TH ST	082-0161	1	1	1	1	4
I-64 RAMPS ST. CLAIR AVE	082-0196	1	1	1		3
TOTAL:						42

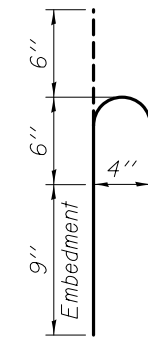


SECTION



PROPOSED ELEVATION

* Epoxy grout h(E) & v(E) bars in 9" min. holes according to Article 584 of the Standard Specifications.



BAR v(E)

NOTES

Reinforcement bars designated (E) shall be epoxy coated.
 Plan dimensions and details relative to existing plans are subject to nominal construction variations. The Contractor shall field verify existing dimensions and details affecting new construction and make necessary approved adjustments prior to construction or ordering of materials. Such variations shall not be cause for additional compensation for a change in scope of the work, however, the Contractor will be paid for the quantity actually furnished at the unit price bid for the work.

BILL OF MATERIAL FOR ALL RETROFITS

Bar	No.	Size	Length	Shape
h(E)	240	#4	3'-5"	—
h _i (E)	240	#4	1"-6"	—
v(E)	240	#4	1'-9"	⌋
Concrete Structures			Cu. Yd.	3.8
Reinforcement Bars, Epoxy Coated			Pound	747