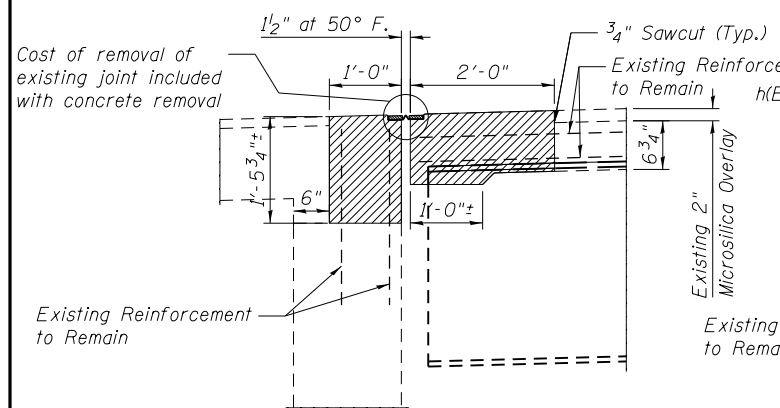
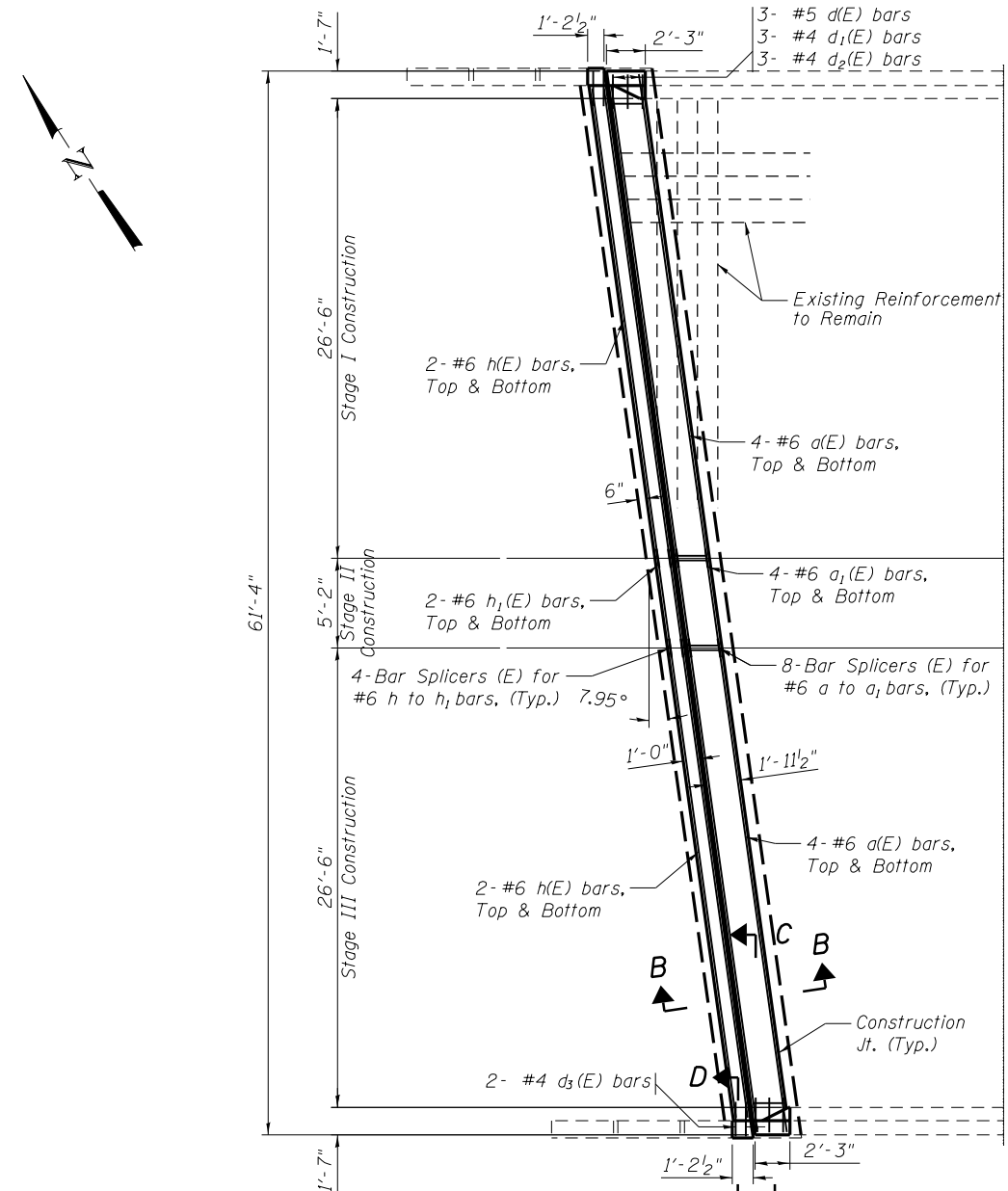


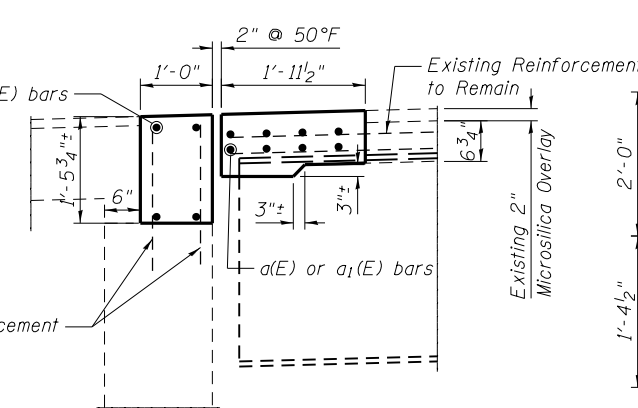
**CONCRETE REMOVAL**  
(West Abut. shown)  
(East Abut. similar)



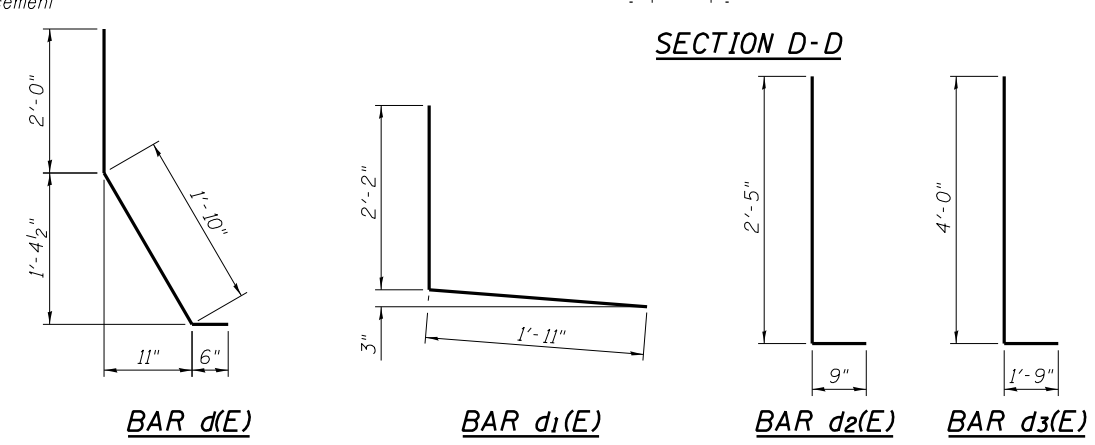
**SECTION A-A**



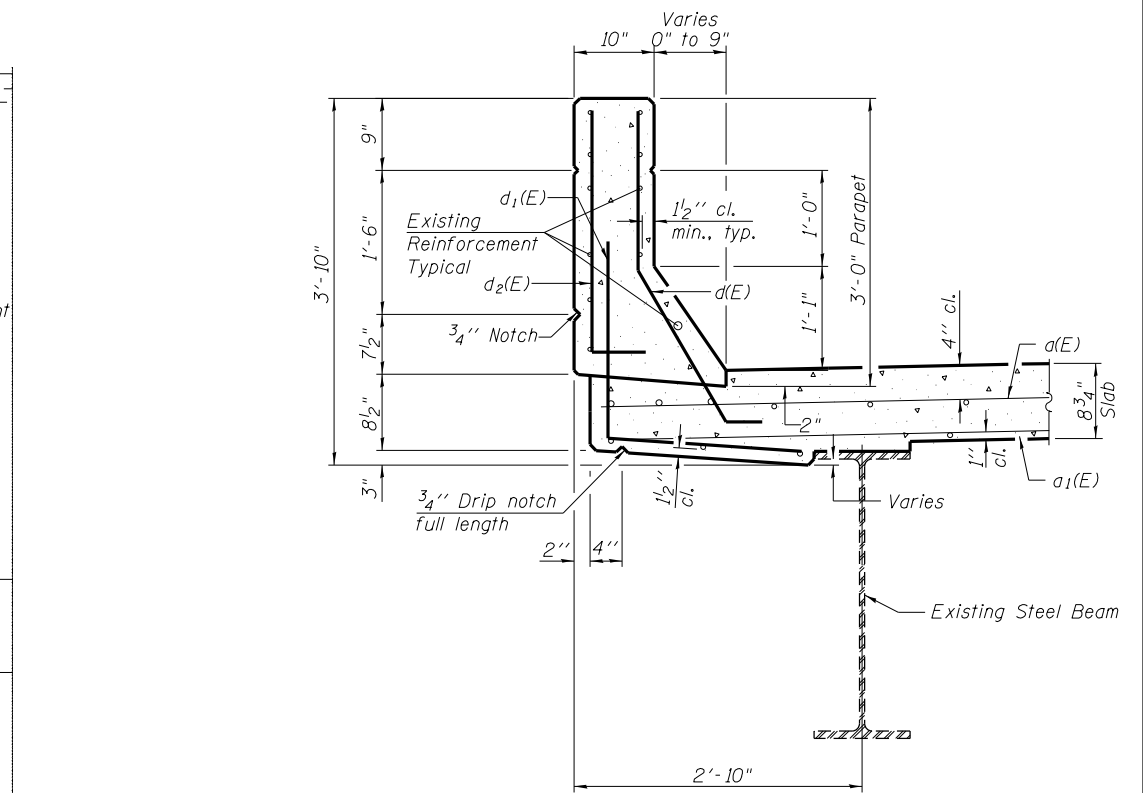
**CONCRETE REPLACEMENT**  
(West Abut. shown)  
(East Abut. similar)



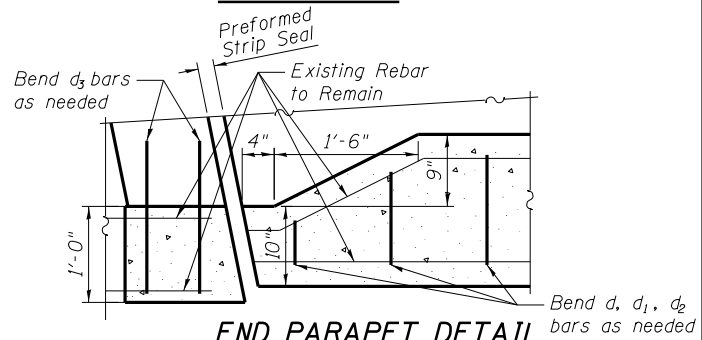
**SECTION B-B**



**BAR d(E)**      **BAR d1(E)**      **BAR d2(E)**      **BAR d3(E)**



**SECTION C-C**

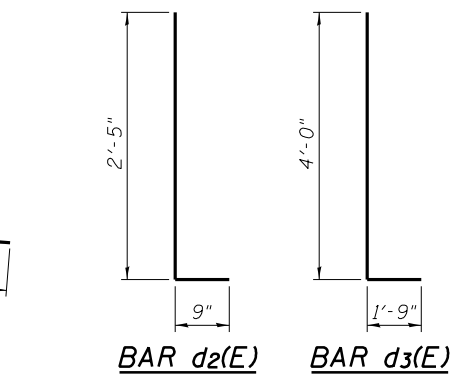


**END PARAPET DETAIL**

**SUPERSTRUCTURE BILL OF MATERIAL**

Bar	No.	Size	Length	Shape	
a(E)	32	#6	28'-0"	—	
a1(E)	16	#6	5'-2"	—	
d(E)	12	#5	4'-4"	└	
d1(E)	12	#4	4'-1"	└	
d2(E)	12	#4	3'-2"	└	
d3(E)	8	#4	5'-9"	└	
h(E)	16	#6	27'-5"	—	
h1(E)	8	#6	5'-2"	—	
Bar Splicers				Each	48
Reinforcement Bars, Epoxy Coated				Pound	2340
Concrete Superstructure				Cu. Yds.	15.4
Concrete Removal				Cu. Yds.	15.6
Preformed Strip Seal				Foot	124

**SECTION D-D**



**SECTION D-D**

**BENTON & ASSOCIATES, INC.**

FILE NAME = P:\10e2166-2\ Design\	USER NAME =	DESIGNED - MBH	REVISED - 10/3/13
Plans\ 082-0152 & 082-0153		CHECKED - SJH	REVISED -
0820152-76022-005-Joint.dgn	PLOT SCALE =	DRAWN - MBH	REVISED -
	PLOT DATE	CHECKED - SJH	REVISED -

**STATE OF ILLINOIS  
DEPARTMENT OF TRANSPORTATION**

**CONCRETE REMOVAL & REPLACEMENT  
STRUCTURE NO. 082-0152**

SHEET NO. 6 OF 9 SHEETS

F.A.I. RT.	SECTION	COUNTY	TOTAL SHEETS	SHEET NO.
64	82-1HB1-2	ST. CLAIR	208	134
CONTRACT NO. 76022				
FED. ROAD DIST. NO. 8 ILLINOIS FED. AID PROJECT				