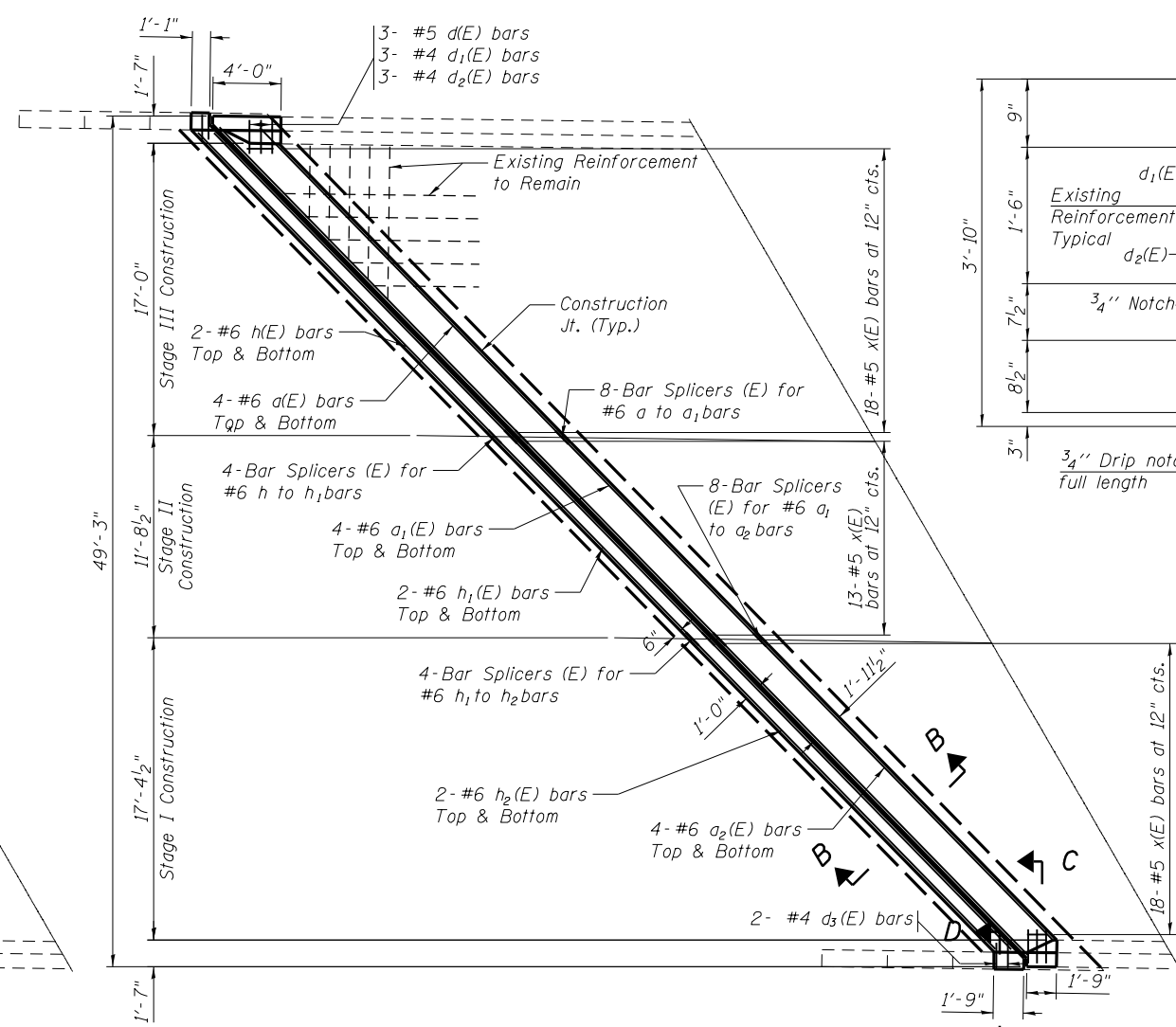
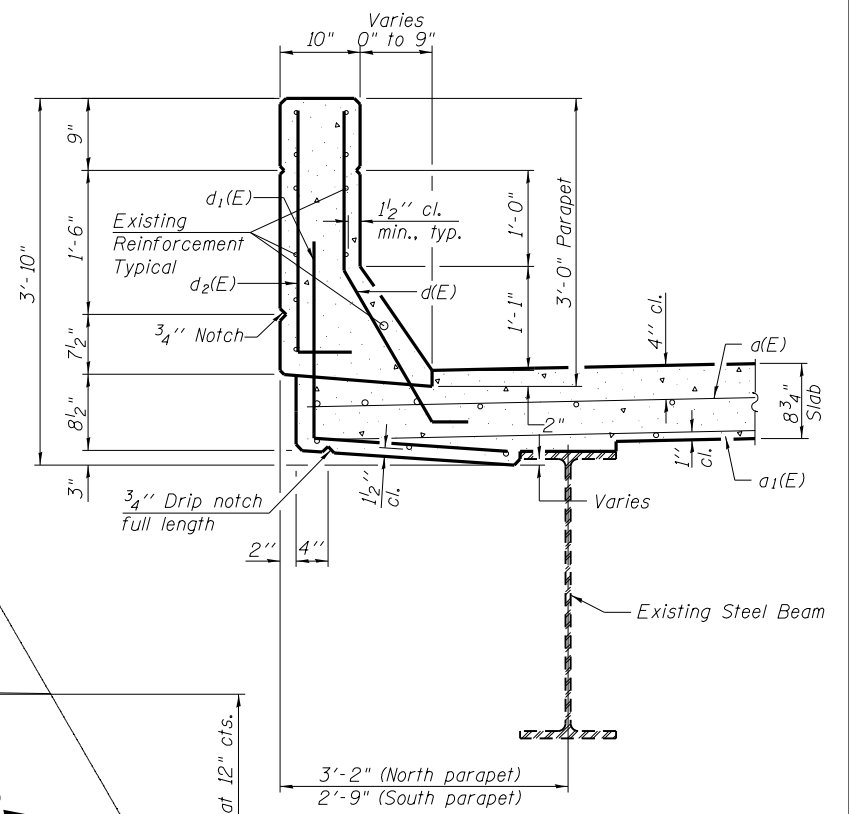


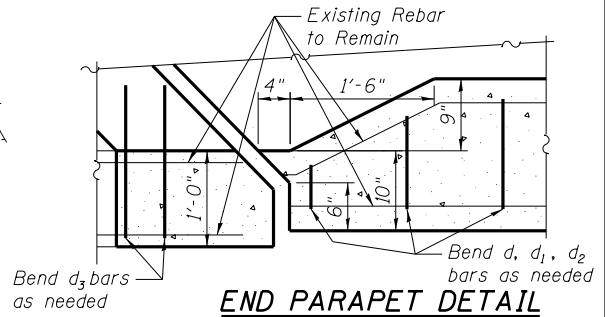
CONCRETE REMOVAL
(West Abut. shown)
(East Abut. similar)



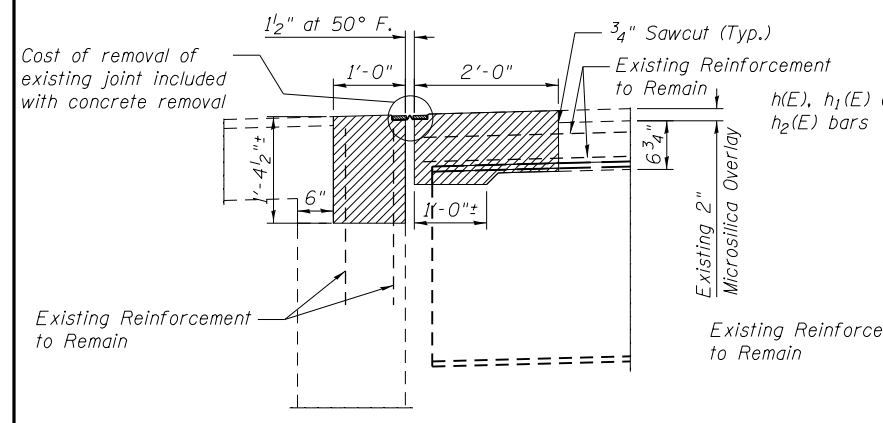
CONCRETE REPLACEMENT
(West Abut. shown)
(East Abut. similar)



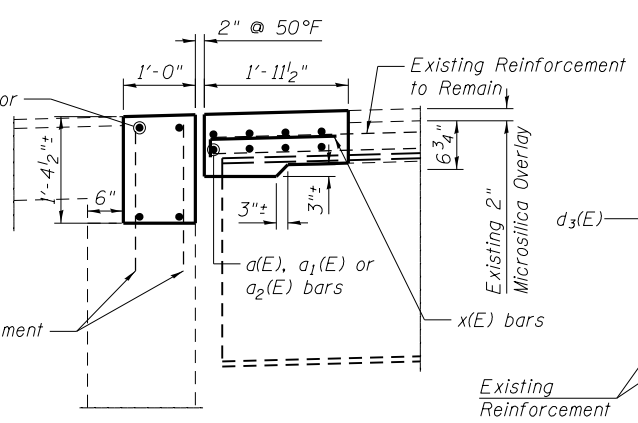
SECTION C-C



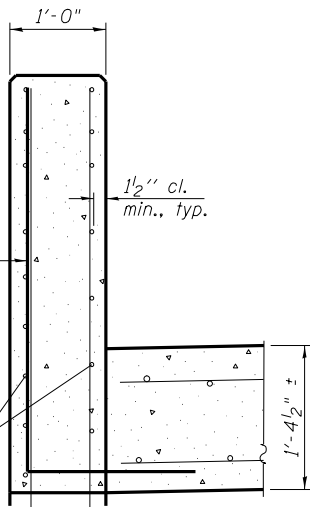
END PARAPET DETAIL



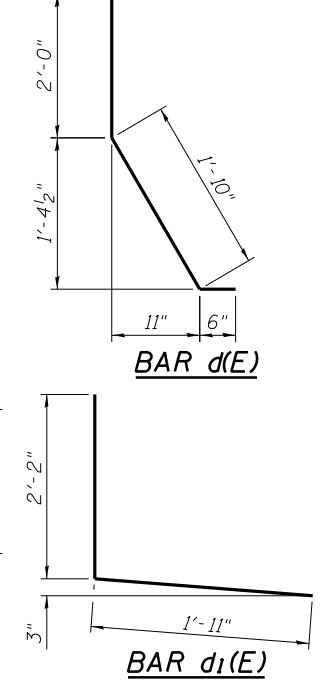
SECTION A-A



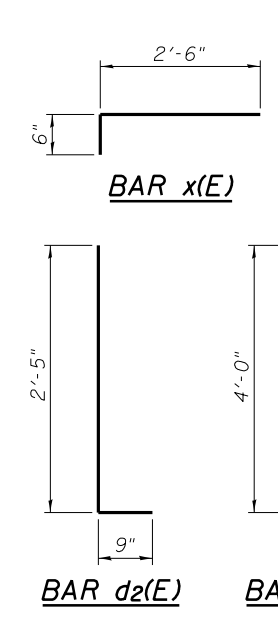
SECTION B-B



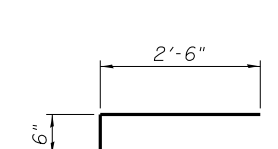
SECTION D-D



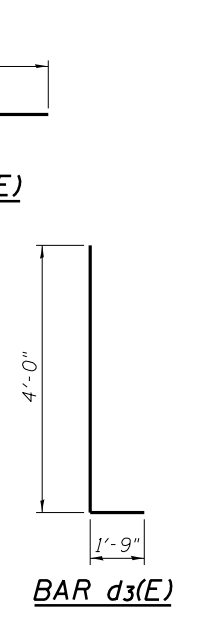
BAR d1(E)



BAR d2(E)



BAR x(E)



BAR d3(E)

SUPERSTRUCTURE BILL OF MATERIAL

Bar No.	Size	Length	Shape
a(E)	16 #6	25'-2"	—
a1(E)	16 #6	16'-6"	—
a2(E)	16 #6	25'-9"	—
d(E)	12 #5	4'-4"	┘
d1(E)	12 #4	4'-1"	┘
d2(E)	12 #4	3'-2"	┘
d3(E)	8 #4	5'-9"	┘
h(E)	8 #6	25'-0"	—
h1(E)	8 #6	16'-6"	—
h2(E)	8 #6	25'-6"	—
x(E)	98 #5	3'-0"	┘
Bar Splicers		Each	48
Reinforcement Bars, Epoxy Coated		Pound	2880
Concrete Superstructure		Cu. Yds.	17.6
Concrete Removal		Cu. Yds.	17.8
Preformed Strip Seal		Foot	141

BENTON & ASSOCIATES, INC.

FILE NAME = P:\10e2166-2\ Design\	USER NAME =	DESIGNED - MBH	REVISED - 10/3/13
Plans\ 082-0154 & 082-0155		CHECKED - SJH	REVISED -
0820154-76022-005-Joint.dgn	PLOT SCALE =	DRAWN - MBH	REVISED -
	PLOT DATE	CHECKED - SJH	REVISED -

**STATE OF ILLINOIS
DEPARTMENT OF TRANSPORTATION**

**CONCRETE REMOVAL & REPLACEMENT
STRUCTURE NO. 082-0154**

SHEET NO. 6 OF 10 SHEETS

F.A.I. RTE.	SECTION	COUNTY	TOTAL SHEETS	SHEET NO.
64	82-1HB1-3	ST. CLAIR	208	143
CONTRACT NO. 76022				
FED. ROAD DIST. NO. 8 ILLINOIS FED. AID PROJECT				