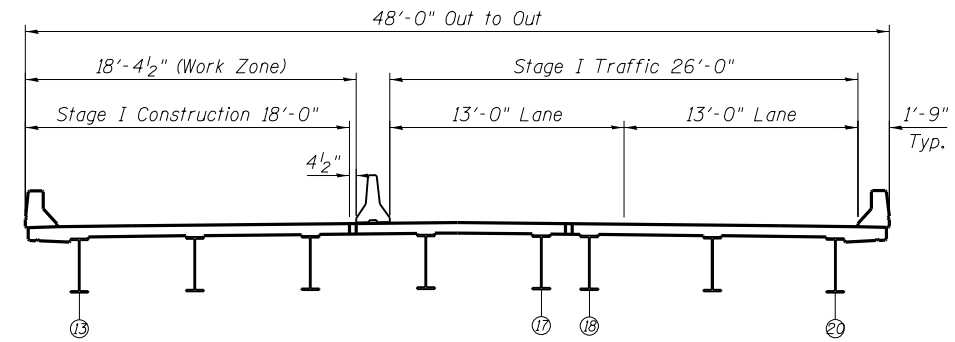
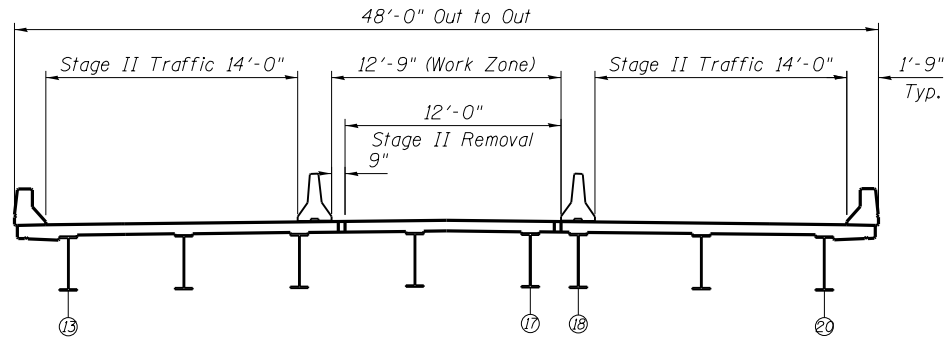


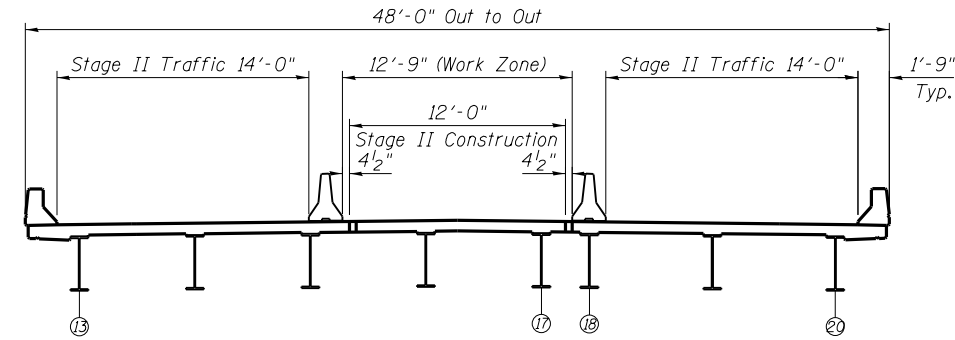
**SN 082-0156 EASTBOUND CROSS SECTION**  
(Looking East)  
**STAGE I REMOVAL**



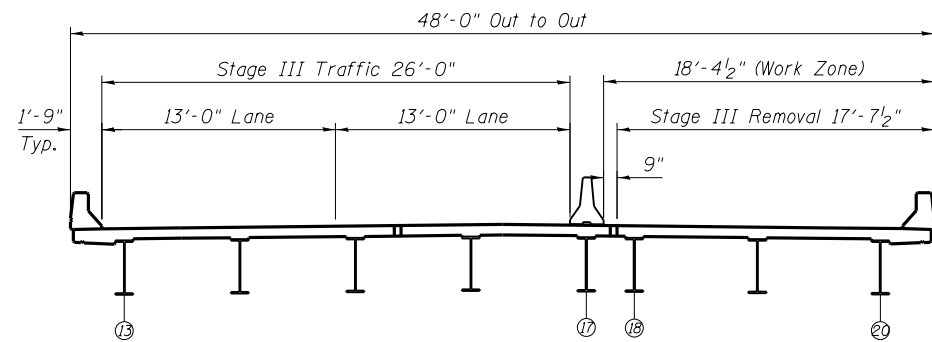
**SN 082-0156 EASTBOUND CROSS SECTION**  
(Looking East)  
**STAGE I CONSTRUCTION**



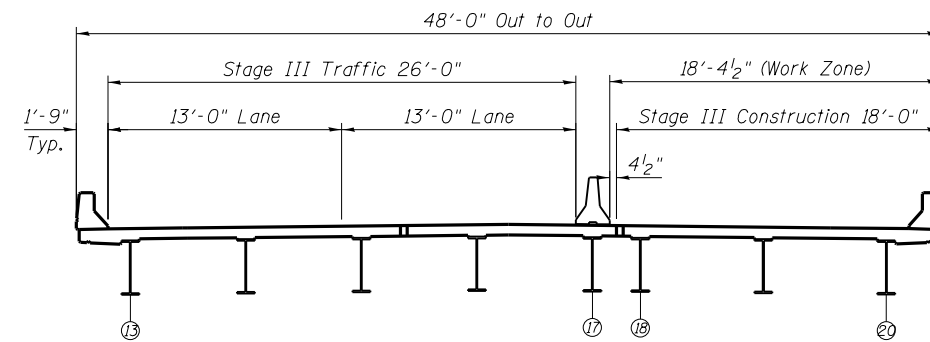
**SN 082-0156 EASTBOUND CROSS SECTION**  
(Looking East)  
**STAGE II REMOVAL**



**SN 082-0156 EASTBOUND CROSS SECTION**  
(Looking East)  
**STAGE II CONSTRUCTION**



**SN 082-0156 EASTBOUND CROSS SECTION**  
(Looking East)  
**STAGE III REMOVAL**



**SN 082-0156 EASTBOUND CROSS SECTION**  
(Looking East)  
**STAGE III CONSTRUCTION**

**BENTON & ASSOCIATES, INC.**

FILE NAME = P:\10e2166-2\Design\	USER NAME =	DESIGNED - MBH	REVISED -
Plans\ 082-0156 & 082-0157		CHECKED - SJH	REVISED -
0820156-76022-002-Staging.dgn	PLOT SCALE =	DRAWN - MBH	REVISED -
	PLOT DATE =	CHECKED - SJH	REVISED -

**STATE OF ILLINOIS**  
**DEPARTMENT OF TRANSPORTATION**

**STAGING SECTIONS**  
**STRUCTURE NO. 082-0156**

SHEET NO. 2 OF 11 SHEETS

F.A.I. RTE.	SECTION	COUNTY	TOTAL SHEETS	SHEET NO.
64	82-1VBI / 82-1VBR	ST. CLAIR	208	149
CONTRACT NO. 76022				
FED. ROAD DIST. NO. 8   ILLINOIS FED. AID PROJECT				