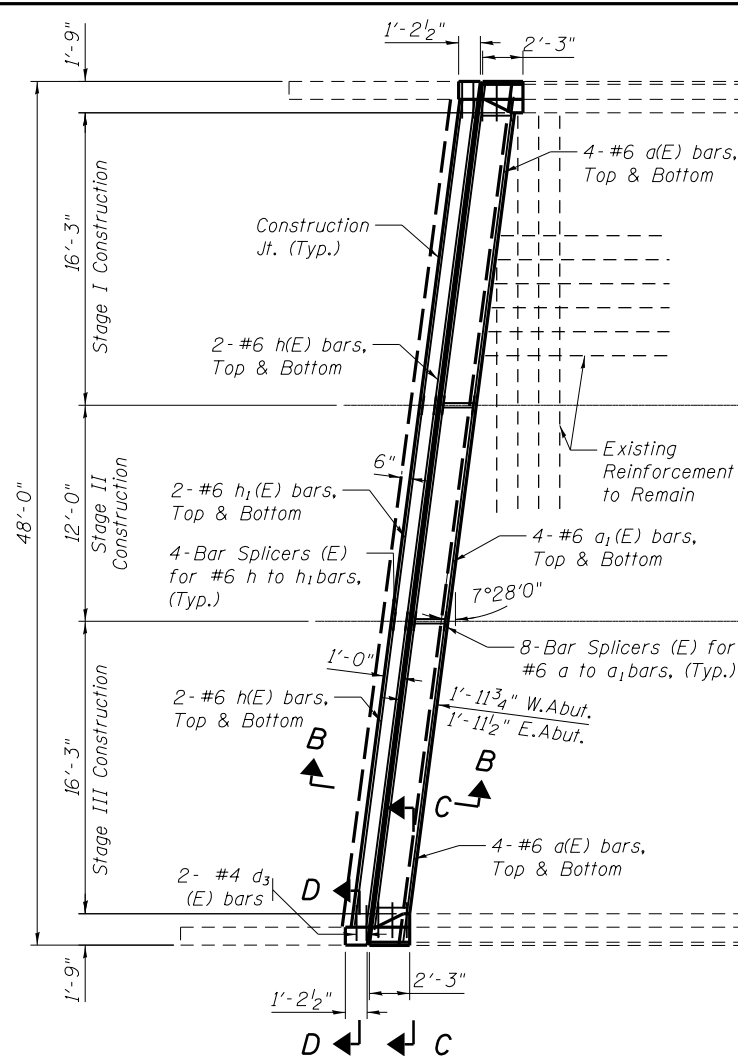


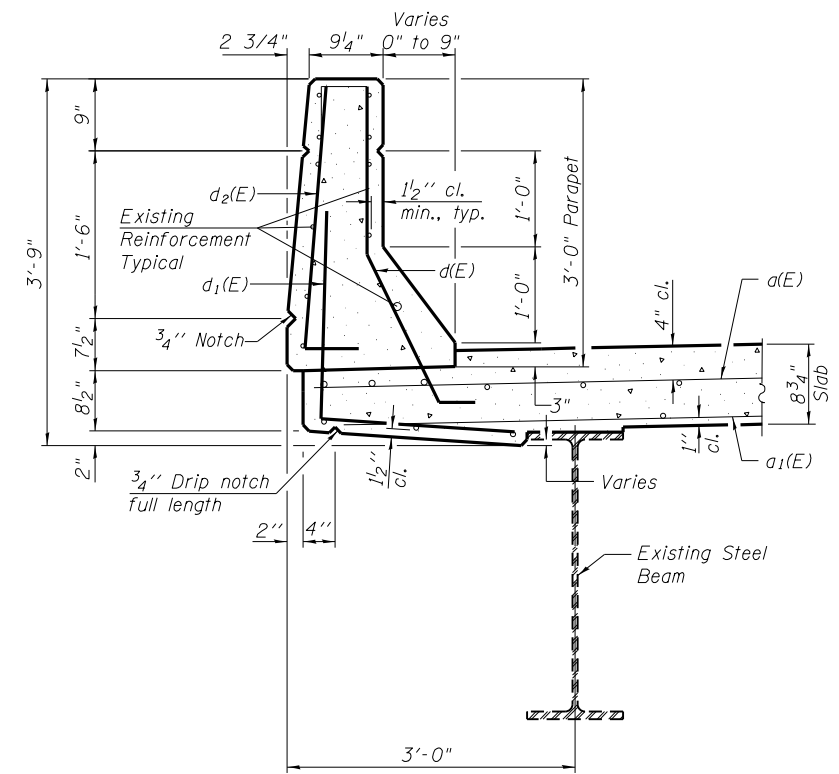
CONCRETE REMOVAL

(West Abut. shown)
(East Abut. similar)

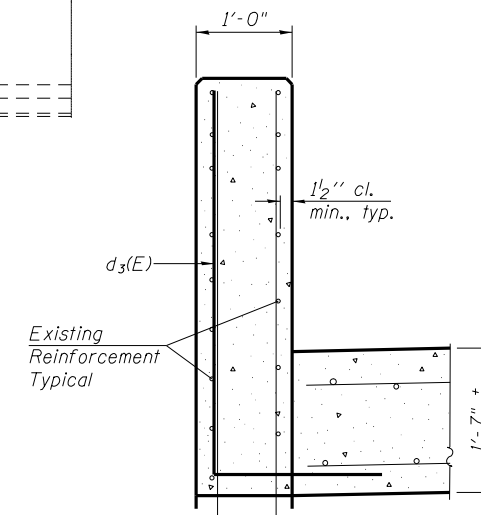


CONCRETE REPLACEMENT

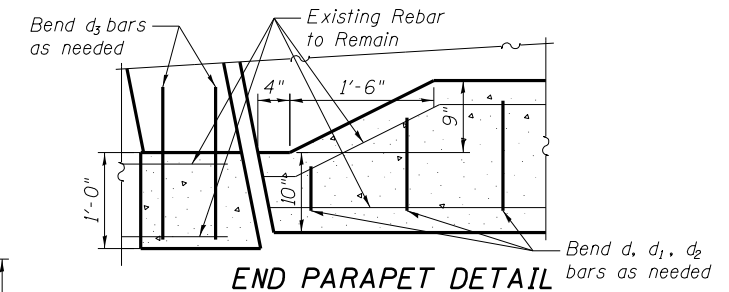
(West Abut. shown)
(East Abut. similar)



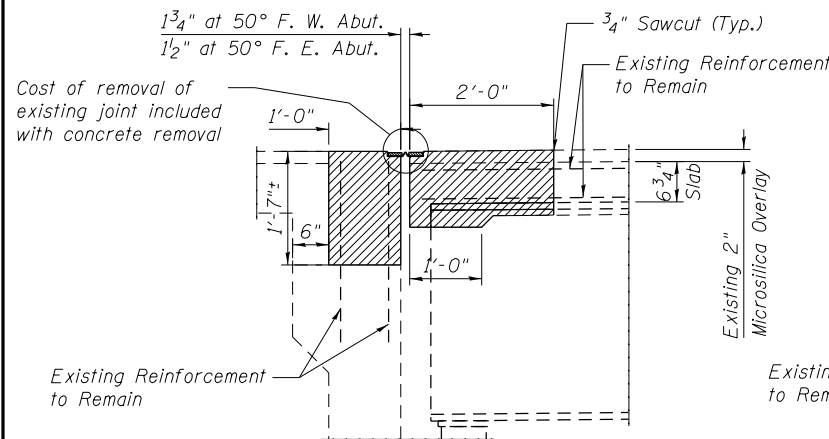
SECTION C-C



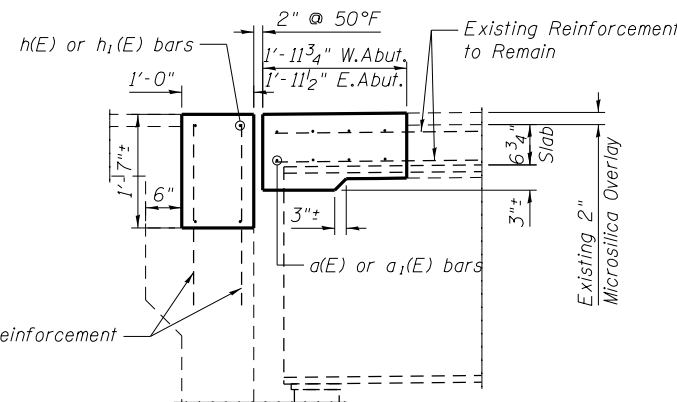
SECTION D-D



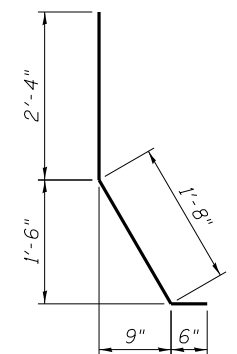
END PARAPET DETAIL



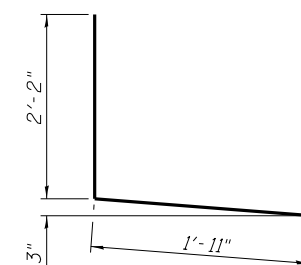
SECTION A-A



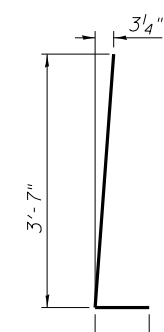
SECTION B-B



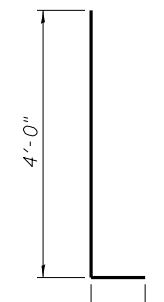
BAR d(E)



BAR d1(E)



BAR d2(E)



BAR d3(E)

**SUPERSTRUCTURE
BILL OF MATERIAL**

Bar	No.	Size	Length	Shape	
a(E)	32	#6	17'-9"	—	
a1(E)	16	#6	12'-0"	—	
d(E)	12	#5	4'-6"	L	
d1(E)	12	#4	4'-1"	L	
d2(E)	12	#4	4'-4"	L	
d3(E)	8	#4	5'-9"	L	
h(E)	16	#6	17'-2"	—	
h1(E)	8	#6	12'-0"	—	
Bar Splicers				Each	48
Reinforcement Bars, Epoxy Coated				Pound	1860
Concrete Superstructure				Cu. Yds.	12.9
Concrete Removal				Cu. Yds.	13.0
Preformed Strip Seal				Foot	97

FILE NAME = P:\10e2166-2\ Design\	USER NAME =	DESIGNED - MBH	REVISED - 10/3/13
Plans\ 082-0156 & 082-0157		CHECKED - SJH	REVISED -
0820156-76022-005-Joint.dgn	PLOT SCALE =	DRAWN - MBH	REVISED -
	PLOT DATE =	CHECKED - SJH	REVISED -

**STATE OF ILLINOIS
DEPARTMENT OF TRANSPORTATION**

**CONCRETE REMOVAL & REPLACEMENT
STRUCTURE NO. 082-0156**

SHEET NO. 6 OF 11 SHEETS

F.A.I. RT.	SECTION	COUNTY	TOTAL SHEETS	SHEET NO.
64	82-1VBI / 82-1VBR	ST. CLAIR	208	153
CONTRACT NO. 76022				
FED. ROAD DIST. NO. 8 ILLINOIS FED. AID PROJECT				