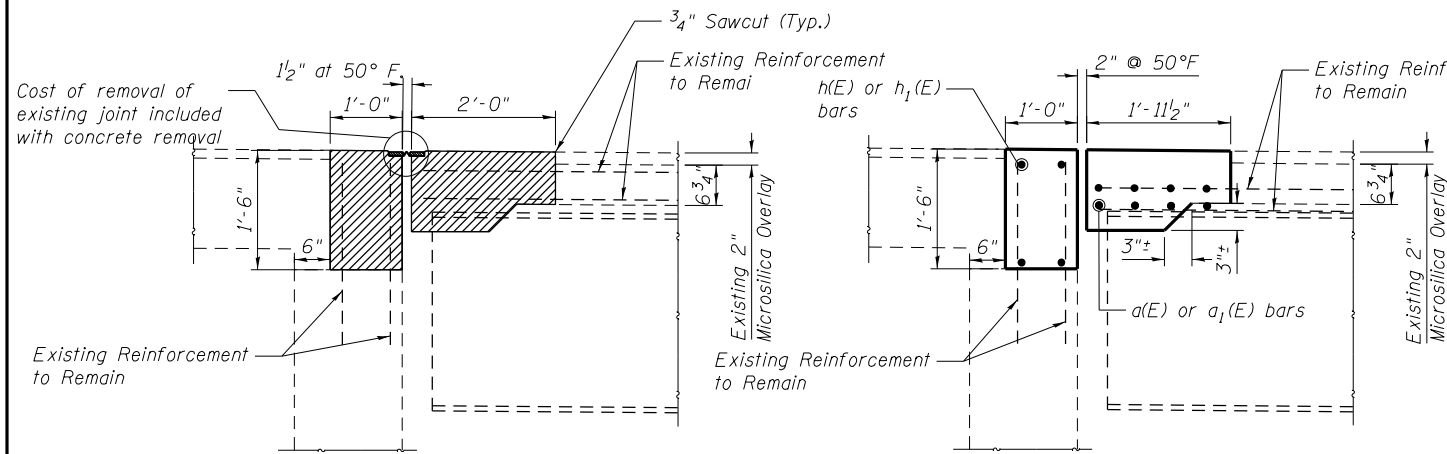


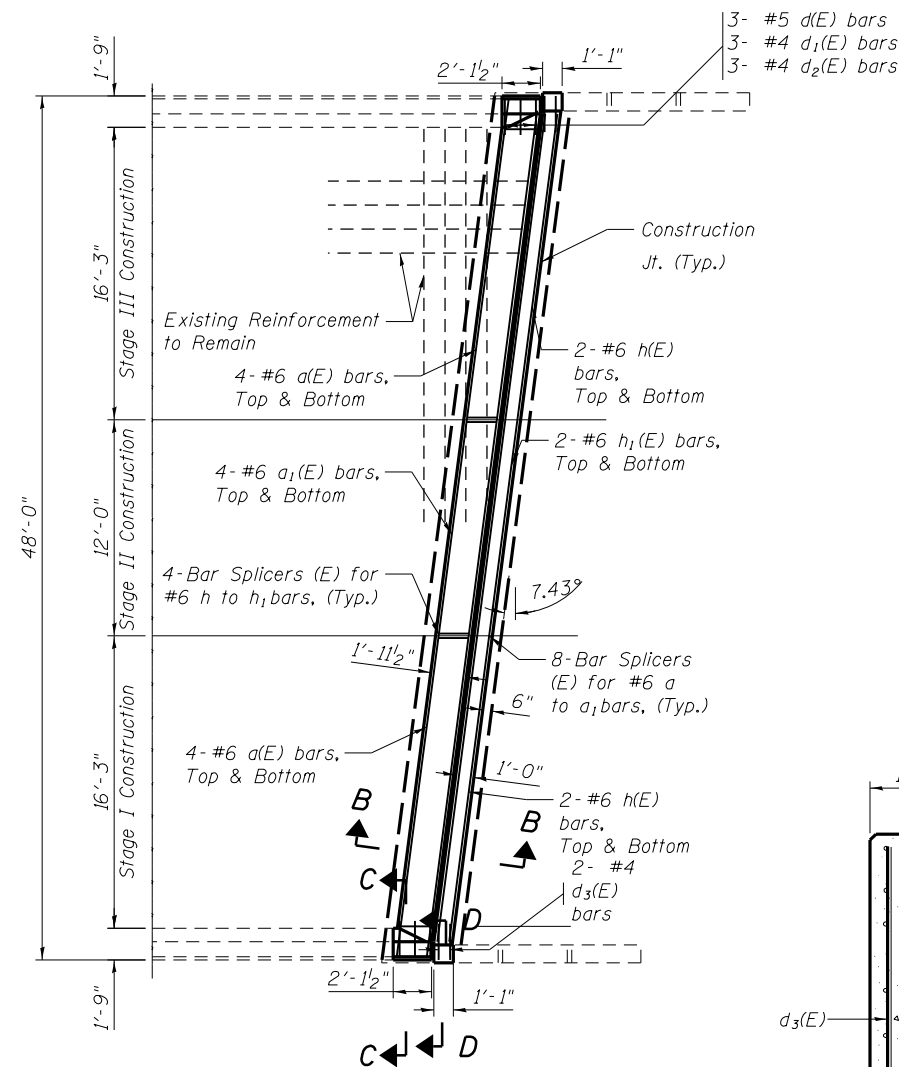
**CONCRETE REMOVAL**

(SN 082-0158 East Abut. shown, West Abut. similar)  
(SN 082-0159 similar)



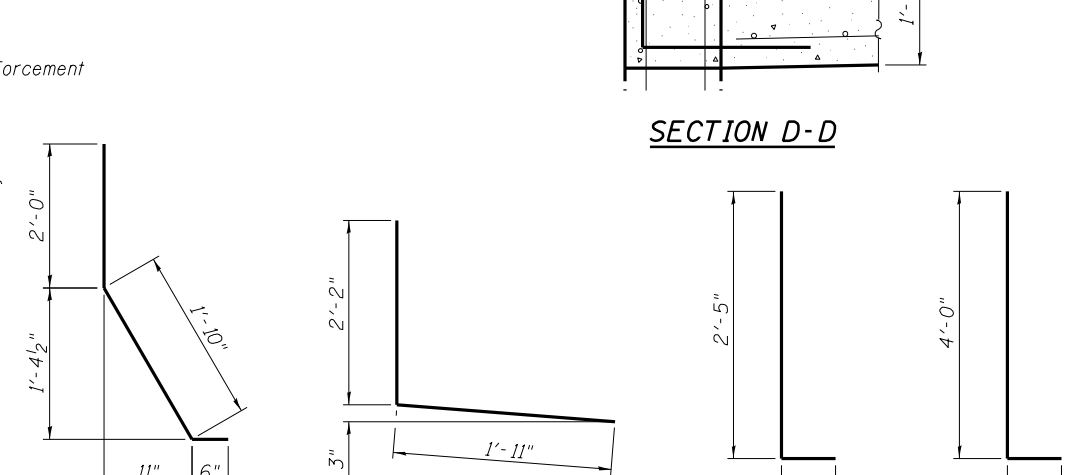
**SECTION A-A**

**SECTION B-B**



**CONCRETE REPLACEMENT**

(SN 082-0158 East Abut. shown, West Abut. similar)  
(SN 082-0159 similar)

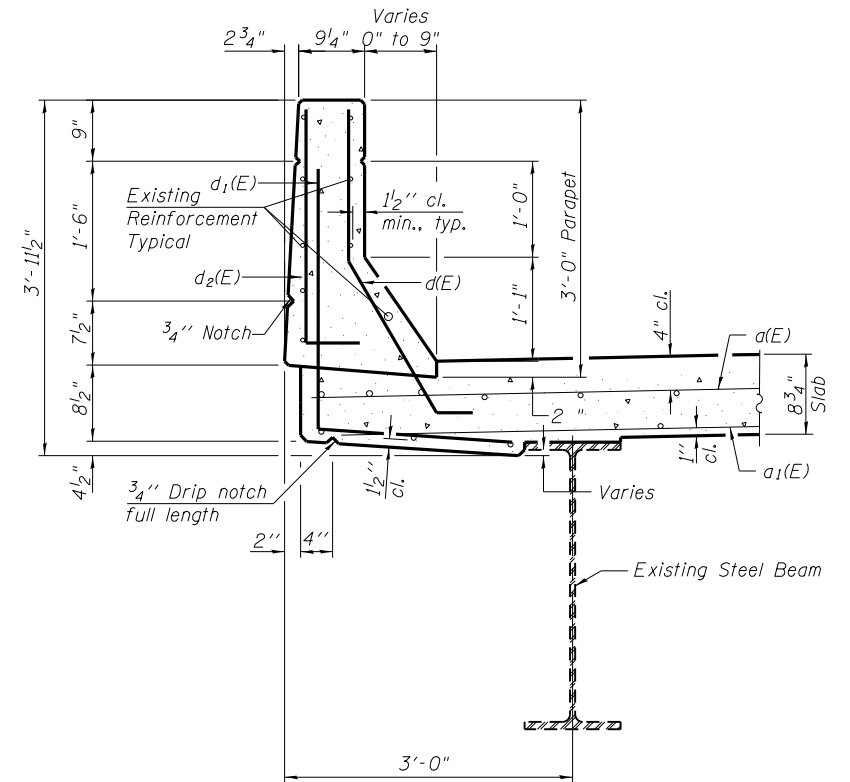


**BAR d(E)**

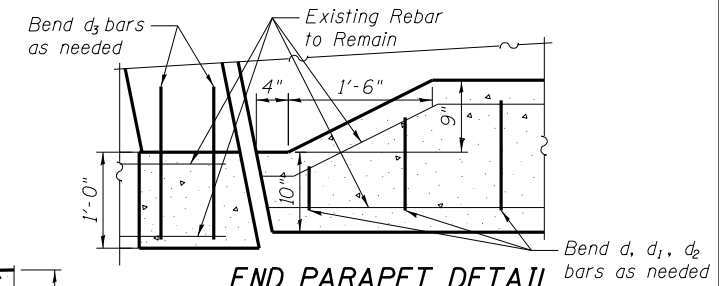
**BAR d1(E)**

**BAR d2(E)**

**BAR d3(E)**



**SECTION C-C**



**END PARAPET DETAIL**

**SECTION D-D**

**SUPERSTRUCTURE BILL OF MATERIAL**

Bar	No.	Size	Length	Shape
a(E)	64	#6	17'-9"	—
a1(E)	32	#6	12'-0"	—
d(E)	24	#5	4'-4"	L
d1(E)	24	#4	4'-1"	L
d2(E)	24	#4	3'-2"	L
d3(E)	16	#4	5'-9"	L
h(E)	32	#6	17'-2"	—
h1(E)	16	#6	12'-0"	—
Bar Splicers			Each	96
Reinforcement Bars, Epoxy Coated			Pound	3710
Concrete Superstructure			Cu. Yds.	26.5
Concrete Removal			Cu. Yds.	26.8
Preformed Strip Seal			Foot	194

**BENTON & ASSOCIATES, INC.**

FILE NAME = P:\10e2166-2\ Design\ Plans\ 082-0158 & 082-0159	USER NAME =	DESIGNED - DJE	REVISED - 10/3/13
0820158-76022-005-Joint.dgn	PLOT SCALE =	CHECKED - --	REVISED - --
	PLOT DATE =	DRAWN - DJE	REVISED - --
		CHECKED - --	REVISED - --

**STATE OF ILLINOIS  
DEPARTMENT OF TRANSPORTATION**

**CONCRETE REMOVAL & REPLACEMENT  
STRUCTURE NO. 082-0158 & 082-0159**

SHEET NO. 6 OF 8 SHEETS

F.A.I. RT.:	SECTION	COUNTY	TOTAL SHEETS	SHEET NO.
64	82-1VBI-1 / 82-1VBR-1	ST. CLAIR	208	164
CONTRACT NO. 76022				
FED. ROAD DIST. NO. 8 ILLINOIS FED. AID PROJECT				