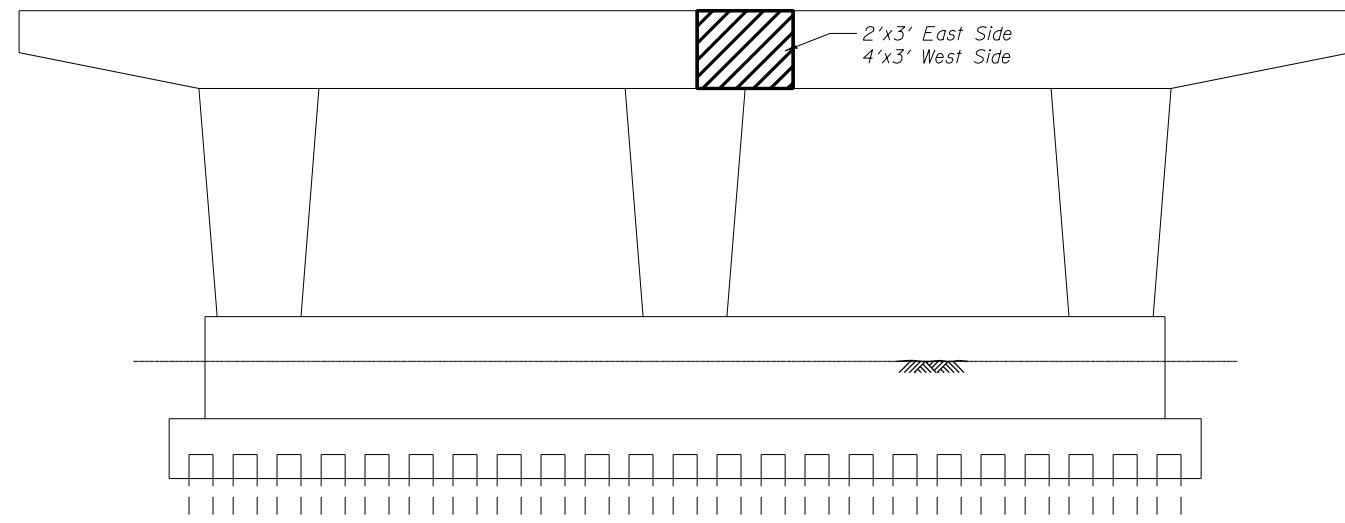
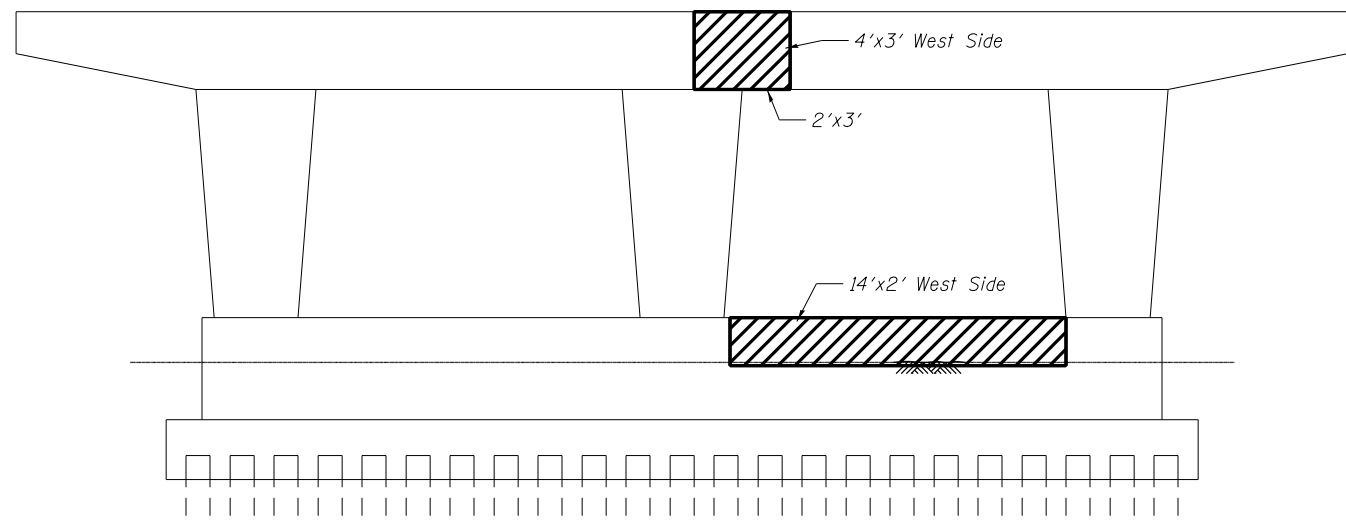


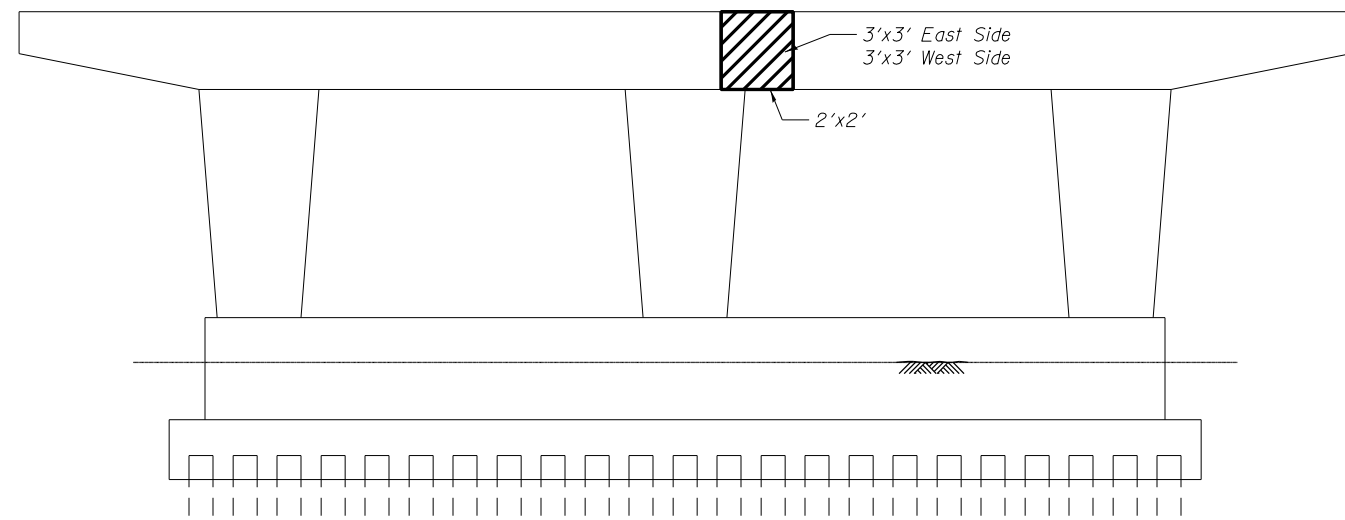
**STRUCTURE 082-0164 WEST PIER**



**STRUCTURE 082-0165 WEST PIER**



**STRUCTURE 082-0164 EAST PIER**



**STRUCTURE 082-0165 EAST PIER**

**LEGEND**

Area of Structural Concrete Repair

**BILL OF MATERIAL**

Item	Unit	Total
Structural Repair of Concrete (Depth <= 5")	Sq. Ft.	116

**BENTON & ASSOCIATES, INC.**

FILE NAME = P:\10e2166-2\Design\	USER NAME =	DESIGNED - MBH	REVISED -
Plans\ 082-0164 & 082-0165		CHECKED - SJH	REVISED -
0820164-76022-005-Piers.dgn	PLOT SCALE =	DRAWN - MBH	REVISED -
	PLOT DATE =	CHECKED - SJH	REVISED -

**STATE OF ILLINOIS  
DEPARTMENT OF TRANSPORTATION**

**SUBSTRUCTURE REPAIRS  
STRUCTURE NO. 082-0164 & 082-0165**

SHEET NO. 7 OF 10 SHEETS

F.A.I. RTE.	SECTION	COUNTY	TOTAL SHEETS	SHEET NO.
64	82-3HB	ST. CLAIR	208	183
CONTRACT NO. 76022				
FED. ROAD DIST. NO. 8 ILLINOIS FED. AID PROJECT				