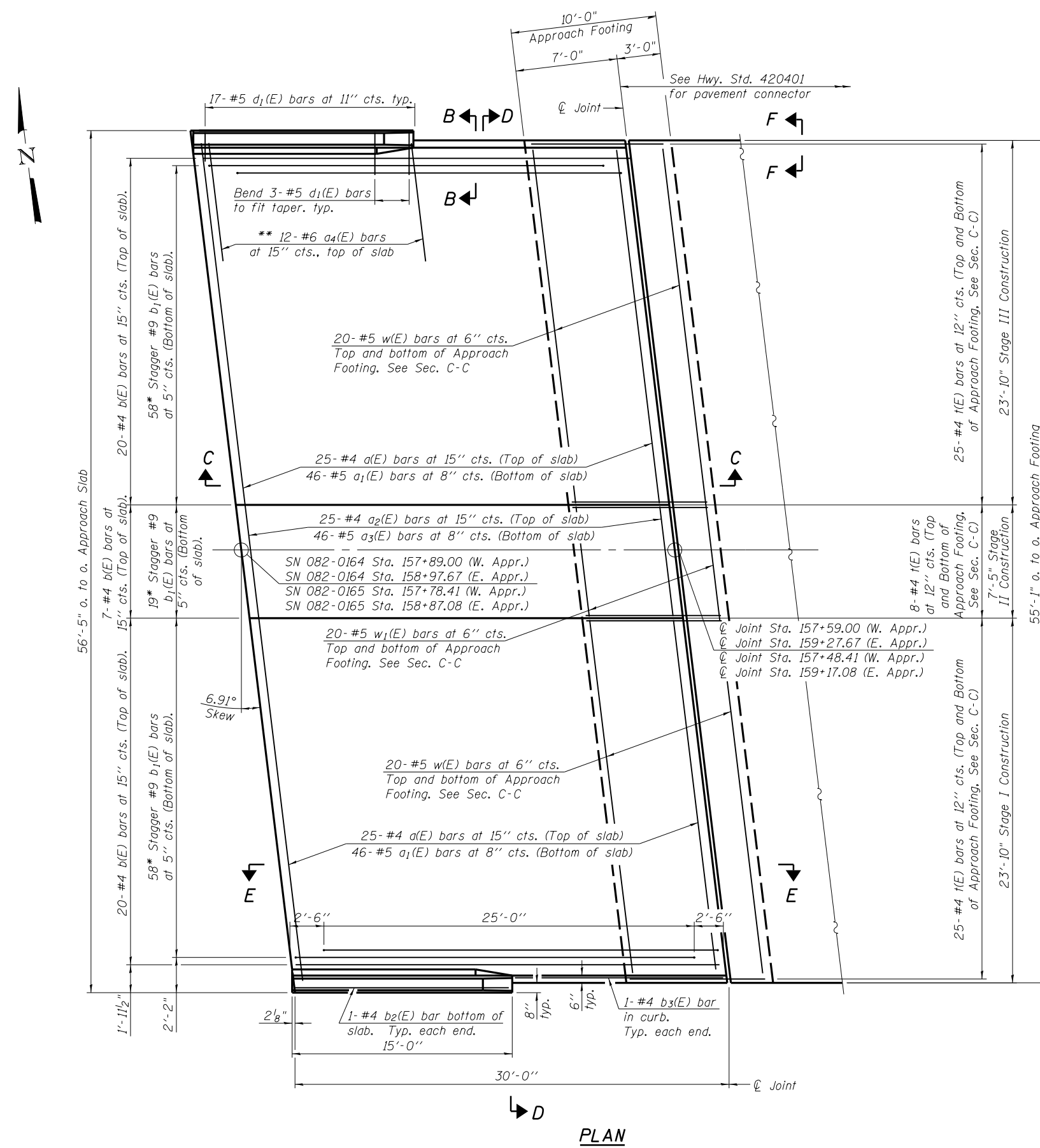
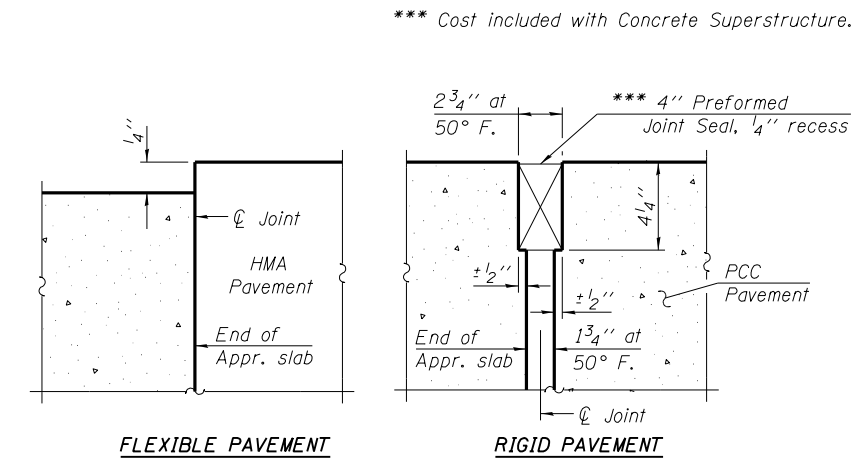


Notes:
See sheet 9 of 9 for Sections C-C & D-D and View E-E.
a(E), a₁(E), a₂(E), and a₃(E) bar spacings measured along \hat{C} Rdwy.

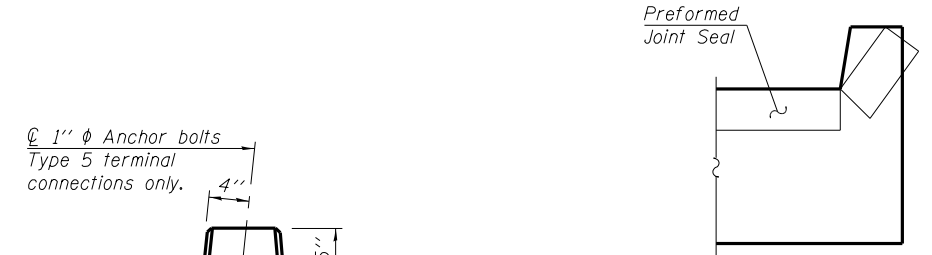
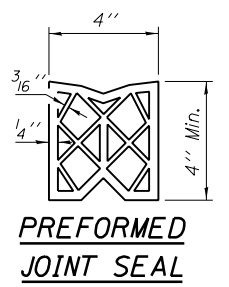


PLAN

* Tilt #9 b₁(E) bars as required to maintain clearance.
** Space between a(E) bars, typ. each parapet.

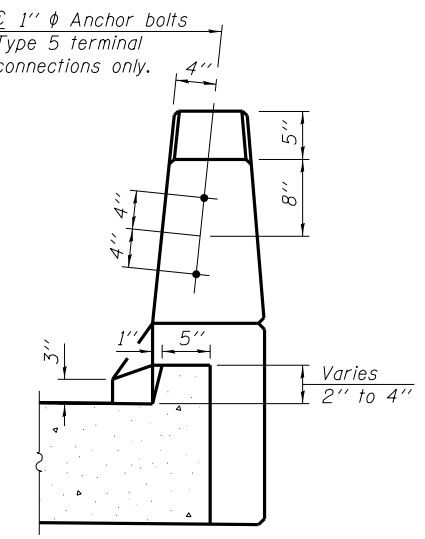


DETAIL A



VIEW F-F

Angle Preformed Joint Seal at 45° at curbs when req'd for drainage.



VIEW B-B

BA-R 7-1-10
BENTON & ASSOCIATES, INC.

FILE NAME = P:\10e2166-4\Design\Plans\0820164-76022-004-Appr1.dgn	USER NAME =	DESIGNED - MBH	REVISED -
		CHECKED - RHB	REVISED -
	PLOT SCALE =	DRAWN - MBH	REVISED -
	PLOT DATE =	CHECKED - RHB	REVISED -

STATE OF ILLINOIS
DEPARTMENT OF TRANSPORTATION

BRIDGE APPROACH SLAB DETAILS
STRUCTURE NO. 082-0164 & 082-0165

SHEET NO. 8 OF 10 SHEETS

F.A.P. RTE.	SECTION	COUNTY	TOTAL SHEETS	SHEET NO.
64	82-3HB	ST. CLAIR	208	184
CONTRACT NO. 76022				
FED. ROAD DIST. NO. 8 ILLINOIS FED. AID PROJECT				

(Sheet 1 of 2)