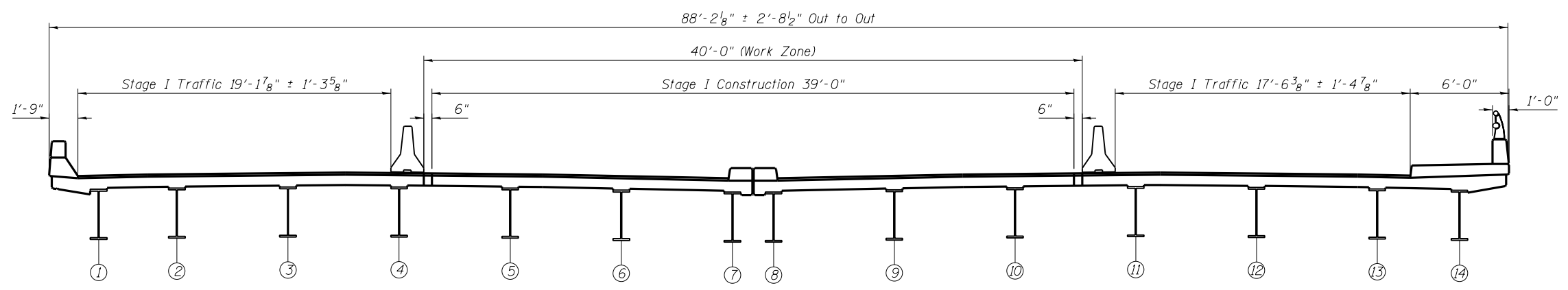


SN 082-0166 CROSS SECTION
(Looking North)

STAGE I REMOVAL



SN 082-0166 CROSS SECTION
(Looking North)

STAGE I CONSTRUCTION

BENTON & ASSOCIATES, INC.

FILE NAME = P:\10e2166-2\ Design\ Plans\ 082-0166 0820166-76022-002-Staging.dgn	USER NAME =	DESIGNED - MBH	REVISED - _____
		CHECKED - SJH	REVISED - _____
	PLOT SCALE =	DRAWN - MBH	REVISED - _____
	PLOT DATE =	CHECKED - SJH	REVISED - _____

**STATE OF ILLINOIS
DEPARTMENT OF TRANSPORTATION**

**STAGING SECTIONS
STRUCTURE NO. 082-0166**

SHEET NO. 2 OF 11 SHEETS

F.A.I. RTE.	SECTION	COUNTY	TOTAL SHEETS	SHEET NO.
64	82-3HB-1	ST. CLAIR	208	188
CONTRACT NO. 76022				
FED. ROAD DIST. NO. 8 ILLINOIS FED. AID PROJECT				