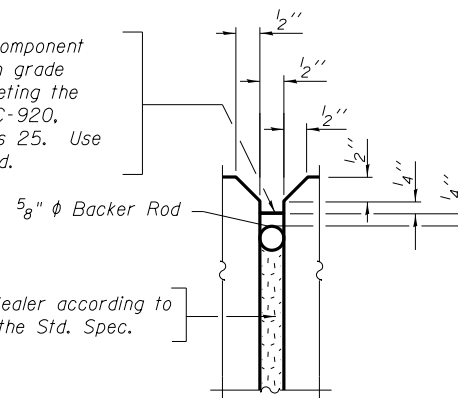
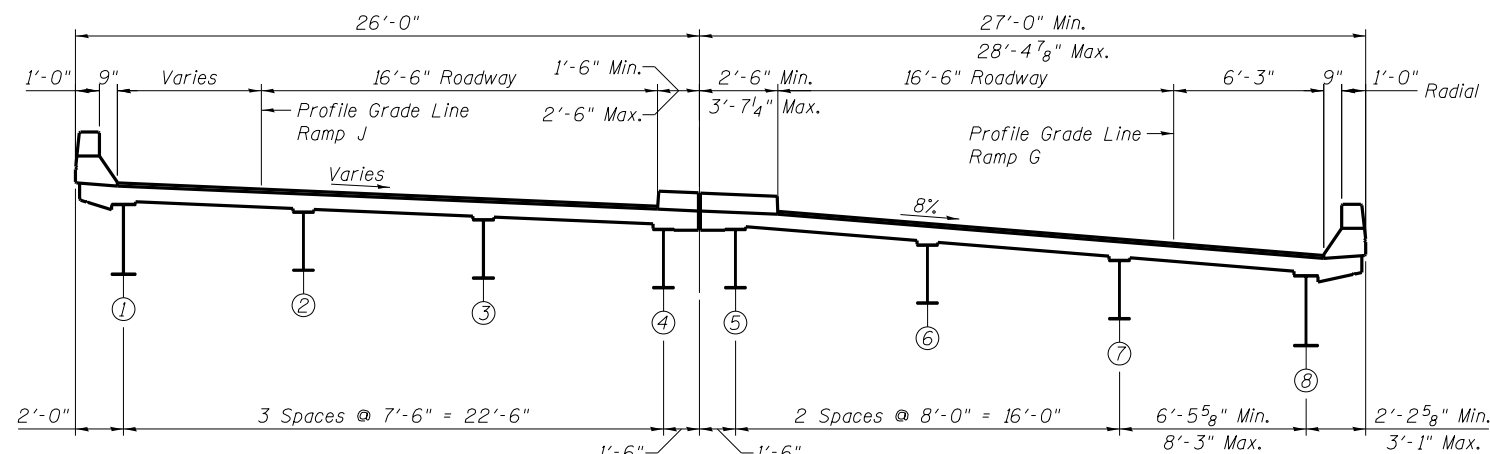


Non-staining gray one component non-sag elastomeric gun grade polyurethane sealant meeting the requirements of ASTM C-920, Type S, Grade NS, Class 25. Use T with a 5/8" backer rod.

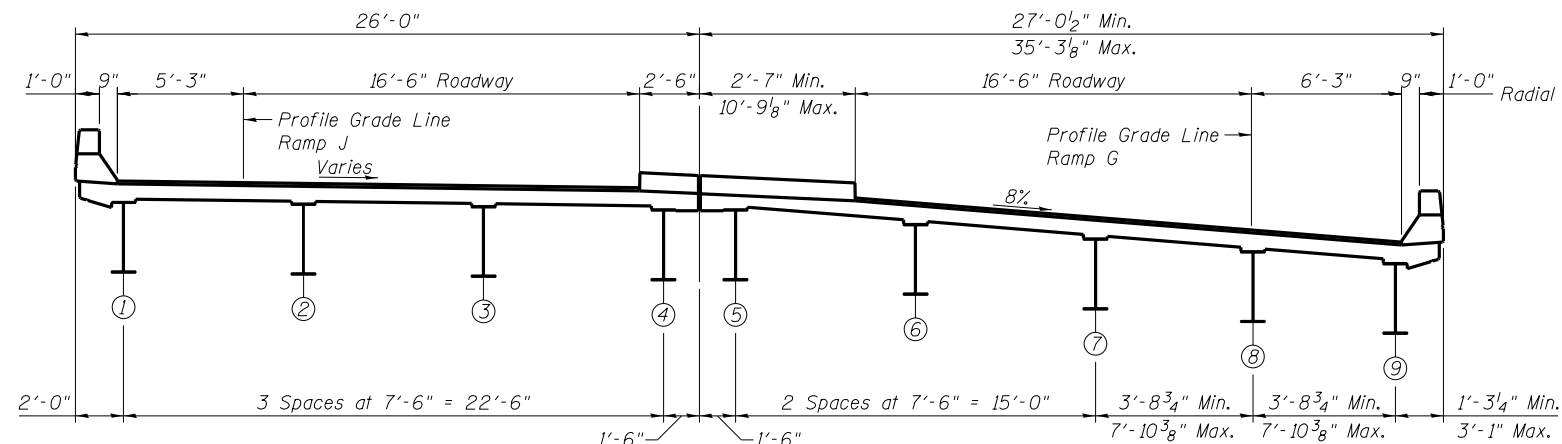


1/2" Silicone Joint Sealer according to Article 1051.07 of the Std. Spec.

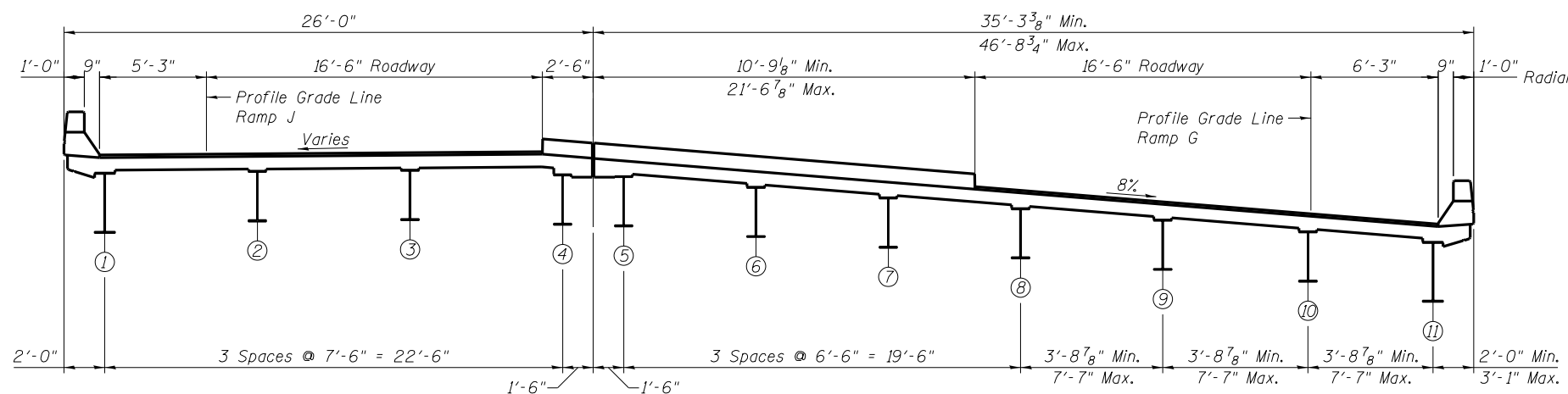
LONGITUDINAL JOINT DETAILS



SN 082-0196 SPAN 1 CROSS SECTION
(Looking South)



SN 082-0196 SPAN 2 CROSS SECTION
(Looking South)



SN 082-0196 SPAN 3 CROSS SECTION
(Looking South)

BILL OF MATERIAL

| Item | Unit | Total |
|-----------------------------|------|-------|
| Silicone Joint Sealer, 1/2" | Foot | 147 |

BENTON & ASSOCIATES, INC.

FILE NAME = P:\10e2166-5\ Design\
Plans\ 0820196-76022-
006-Xsec.dgn

USER NAME =
DESIGNED - MBH
CHECKED - SJH
DRAWN - MBH
CHECKED - SJH
PLOT SCALE =
PLOT DATE =

DESIGNED - MBH
CHECKED - SJH
DRAWN - MBH
CHECKED - SJH

REVISED - _____
REVISED - _____
REVISED - _____
REVISED - _____

**STATE OF ILLINOIS
DEPARTMENT OF TRANSPORTATION**

**SLAB CROSS SECTION
STRUCTURE NO. 082-0196**

SHEET NO. 6 OF 11 SHEETS

| F.A.I. RTE. | SECTION | COUNTY | TOTAL SHEETS | SHEET NO. |
|-------------------------------------------------|----------|-----------|--------------|-----------|
| 64 | 82-2HB-1 | ST. CLAIR | 208 | 203 |
| CONTRACT NO. 76022 | | | | |
| FED. ROAD DIST. NO. 8 ILLINOIS FED. AID PROJECT | | | | |