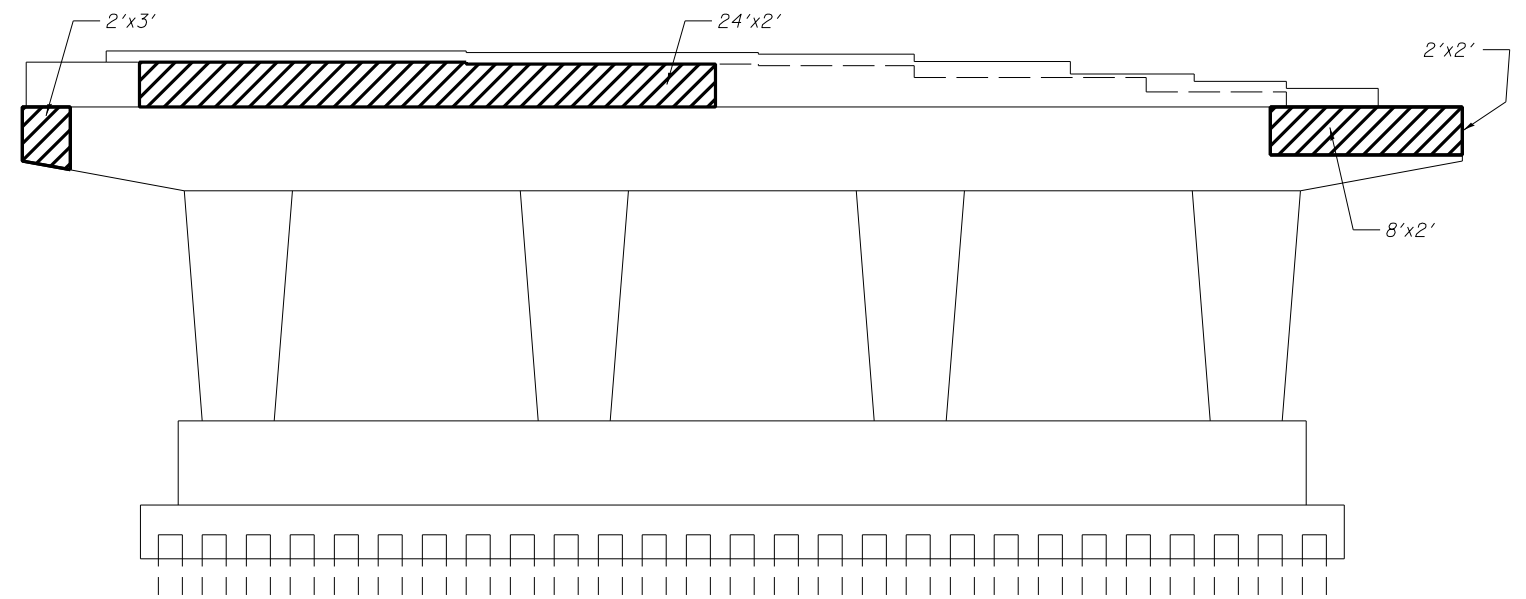
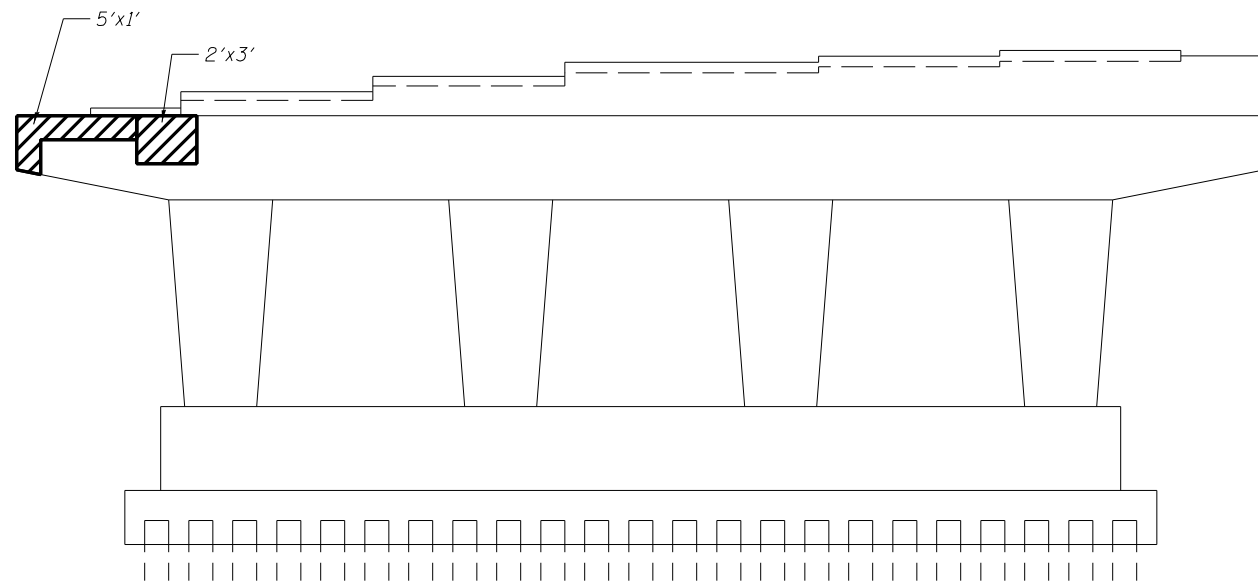


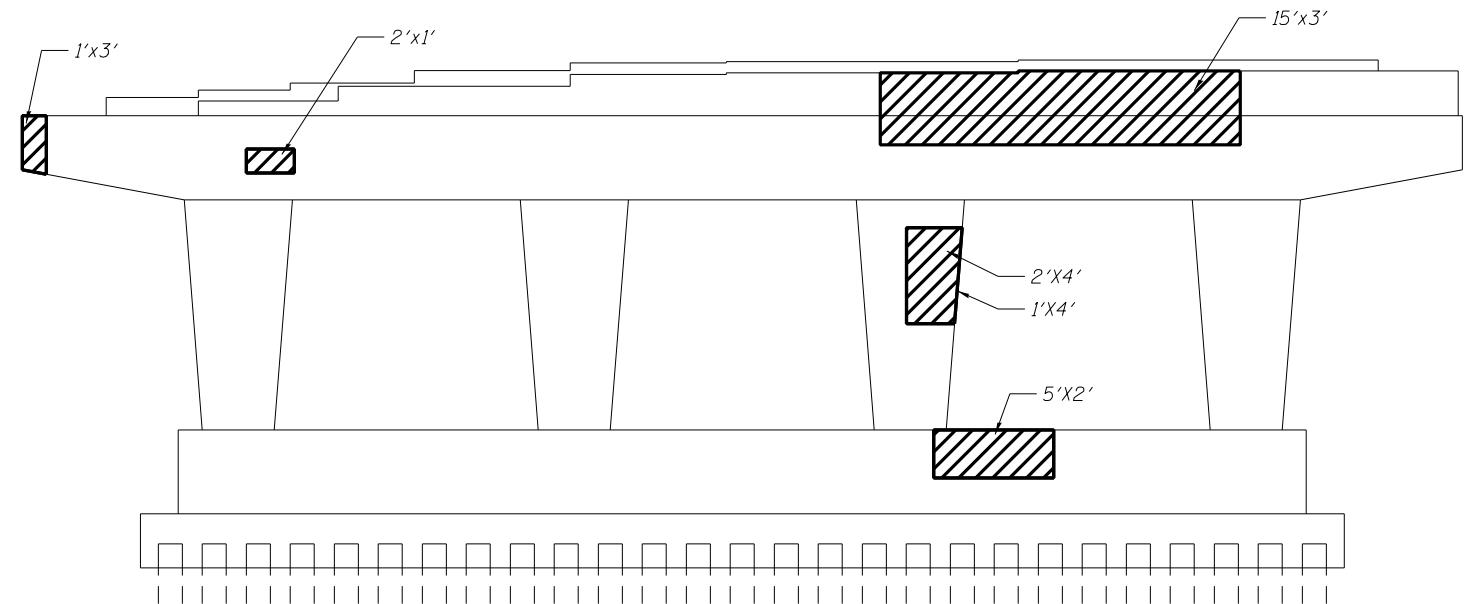
SOUTH PIER
(Looking South)



NORTH PIER
(Looking South)




SOUTH PIER
(Looking North)



NORTH PIER
(Looking North)

LEGEND

 Area of Structural Concrete Repair

BILL OF MATERIAL

Item	Unit	Total
Structural Repair of Concrete (Depth <= 5")	Sq. Ft.	210

BENTON & ASSOCIATES, INC.

FILE NAME = P:\10e2166-5\ Design\ Plans\ 082-0196-76022-010- Piers.dgn	USER NAME =	DESIGNED - MBH	REVISED -
		CHECKED - SJH	REVISED -
	PLOT SCALE =	DRAWN - MBH	REVISED -
	PLOT DATE =	CHECKED - SJH	REVISED -

STATE OF ILLINOIS
DEPARTMENT OF TRANSPORTATION

SUBSTRUCTURE REPAIRS
STRUCTURE NO. 082-0196

SHEET NO. 10 OF 11 SHEETS

F.A.I. RTE. 64	SECTION 82-3HB	COUNTY ST. CLAIR	TOTAL SHEETS 208	SHEET NO. 207
CONTRACT NO. 76022				
FED. ROAD DIST. NO. 8 ILLINOIS FED. AID PROJECT				