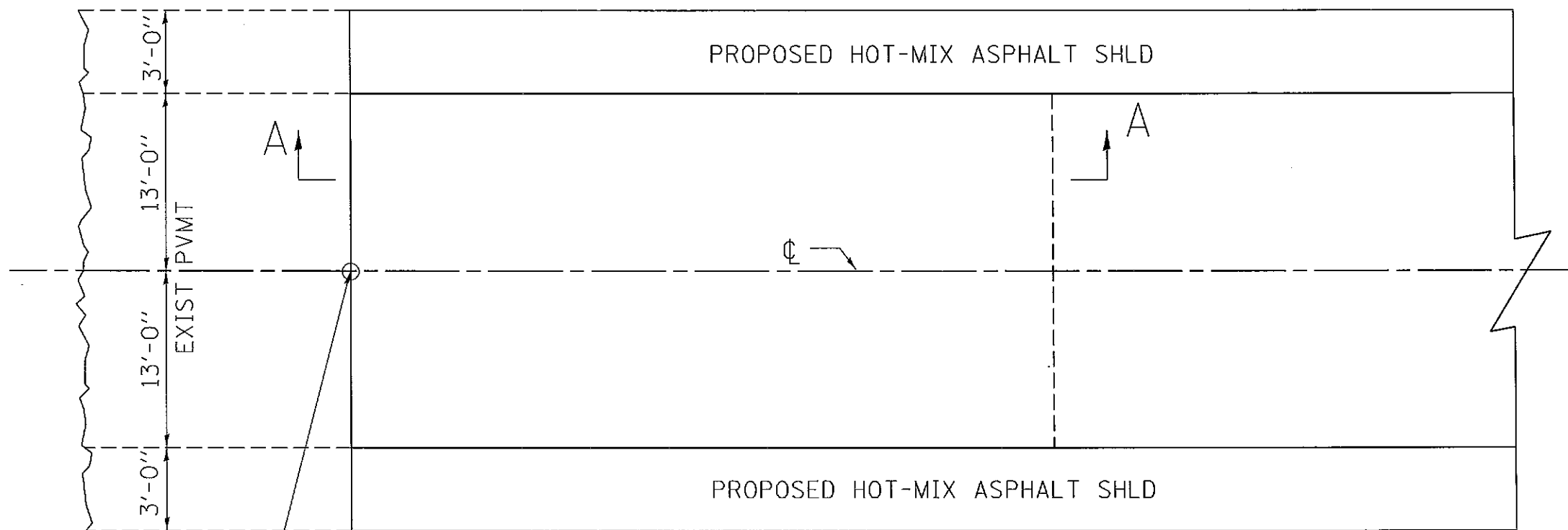
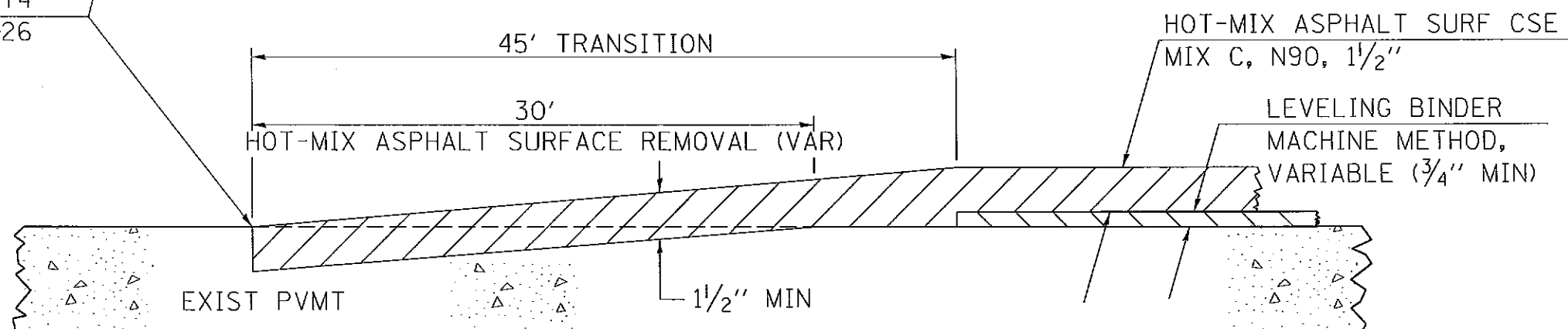


BUTT JOINT



STA 910+74
STA 916+26



SECTION A-A

REVISIONS	
DRAWN	10-17-90
REVISED	01-11-07
REVISED	3-25-08
REVISED	

STD. 9-86



USER NAME = halsteadw	DESIGNED - JMS	REVISED -
ESCA PROJECT NO. 988.12	DRAWN - HAS	REVISED -
PLOT SCALE = 0.1667" / 1"	CHECKED - RDP	REVISED -
PLOT DATE = 8/15/2013 9:41:46 AM	DATE - 03/13	REVISED -

**STATE OF ILLINOIS
DEPARTMENT OF TRANSPORTATION**

BUTT JOINT DETAIL

SCALE: SHEET NO. 1 OF 1 SHEETS STA. TO STA.

F.A.P. RTE. 885	SECTION 112B-1	COUNTY POPE	TOTAL SHEETS 56	SHEET NO. 22
FED. ROAD DIST. NO. ILLINOIS		FED. AID PROJECT		
CONTRACT NO. 78230				