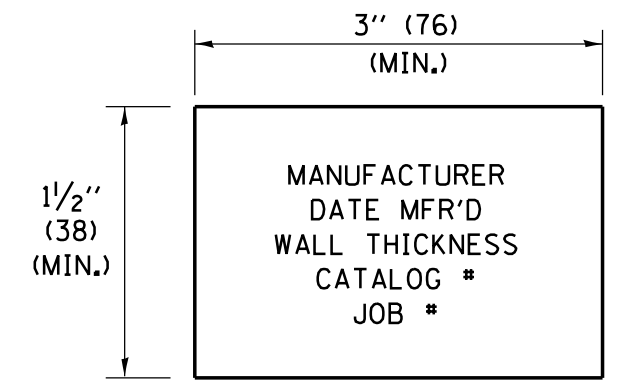
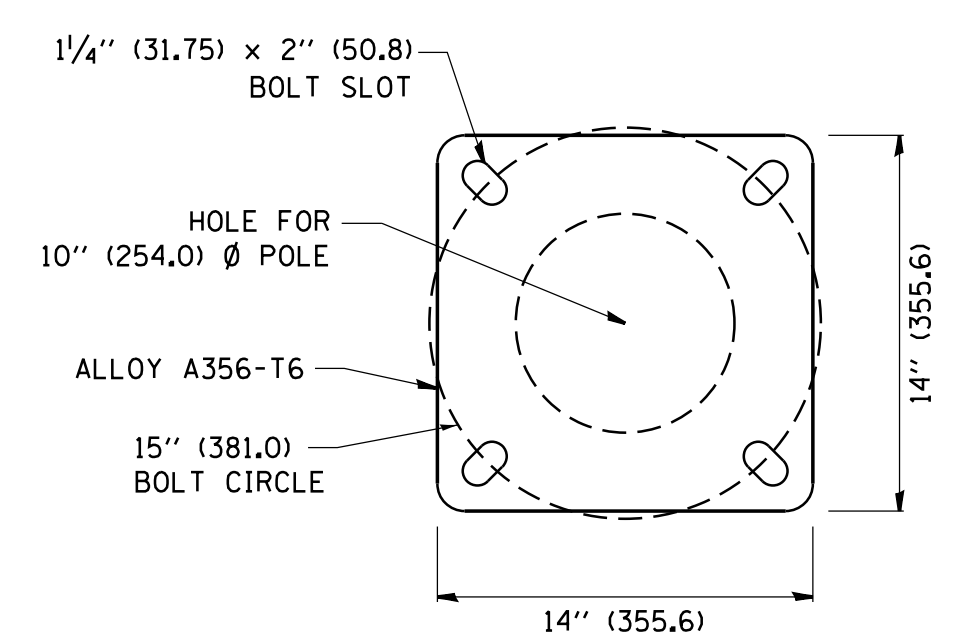


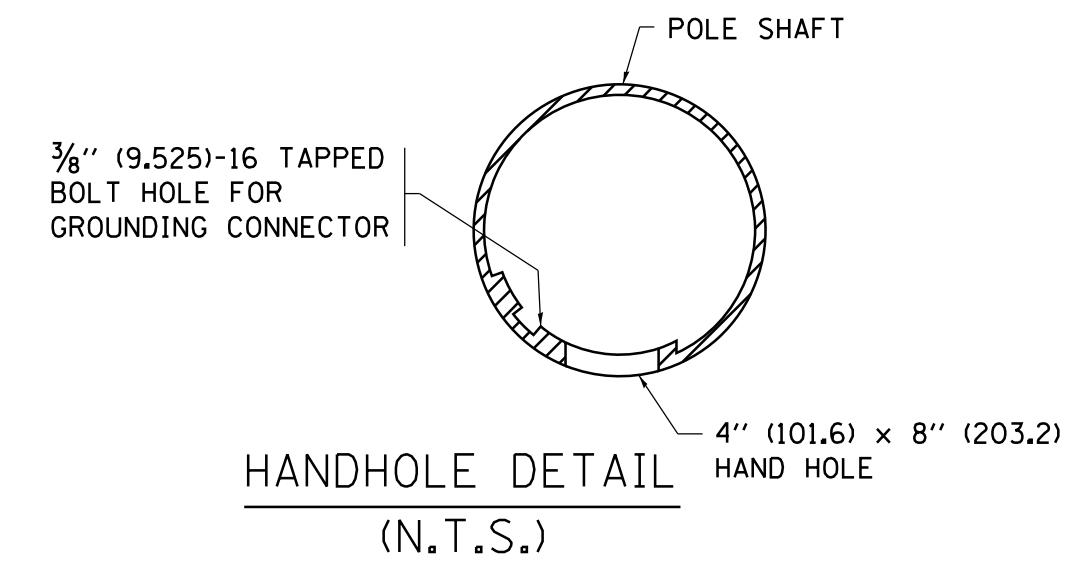
- NOTES:**
1. ALL DIMENSIONS ARE IN INCHES (MILLIMETERS) UNLESS OTHERWISE SHOWN.
 2. TWO PIECE SHAFT WILL BE MATCHED MARKED AND INTERCHANGEABLE BETWEEN DIFFERENT UNITS. FIELD DRILLING OF THE HOLES WILL NOT BE ALLOWED.
 3. THE POLE WILL MEET AASHTO DESIGN CRITERIA AS SPECIFIED.
 4. THE INSTALLING CONTRACTOR WILL PROVIDE A UL LISTED GROUNDING CONNECTOR, BURNDY K2C23, T&B SP4DL OR APPROVED EQUAL.
 5. POLES WILL BE INSTALLED IN ACCORDANCE TO MANUFACTURER'S INSTRUCTIONS.
 6. POLES WILL BE SET PLUMB ON THE FOUNDATION WITHOUT THE USE OF LEVELING NUTS, WASHERS OR SHIMS.



POLE ID TAG
NTS



POLE BASE PLATE DETAIL
15 INCH (381.0) BOLT CIRCLE



FILE NAME =	USER NAME = drivakosgn	DESIGNED -	REVISED - R. TOMSONS 09-06-00
et:\pwork\pwork\drivakosgn\d0108315\be000.dgn		DRAWN -	REVISED - R. TOMSONS 09-03-03
	PLOT SCALE = 50.000' / in.	CHECKED -	REVISED - R. TOMSONS 02-27-13
	PLOT DATE = 6/5/2014	DATE -	REVISED - R. TOMSONS 05-04-14

**STATE OF ILLINOIS
DEPARTMENT OF TRANSPORTATION**

CCTV CAMERA STRUCTURE			
50' (15.24 m) MOUNTING HEIGHT			
SCALE: NONE	SHEET NO. 1 OF 1 SHEETS	STA.	TO STA.

F.A. RTE.	SECTION	COUNTY	TOTAL SHEETS	SHEET NO.
BE-1000		CONTRACT NO.		
FED. ROAD DIST. NO. 1 ILLINOIS FED. AID PROJECT				