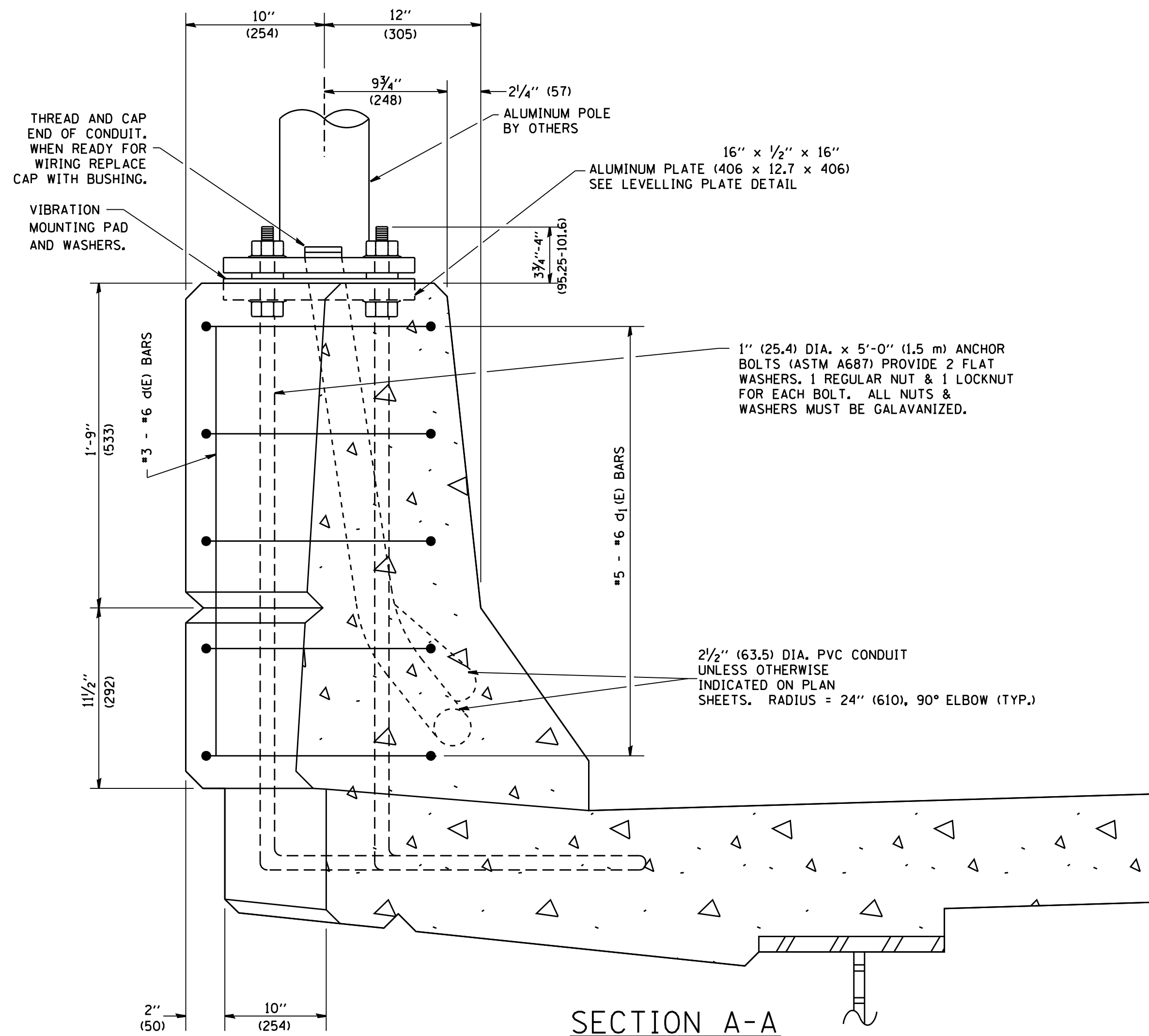
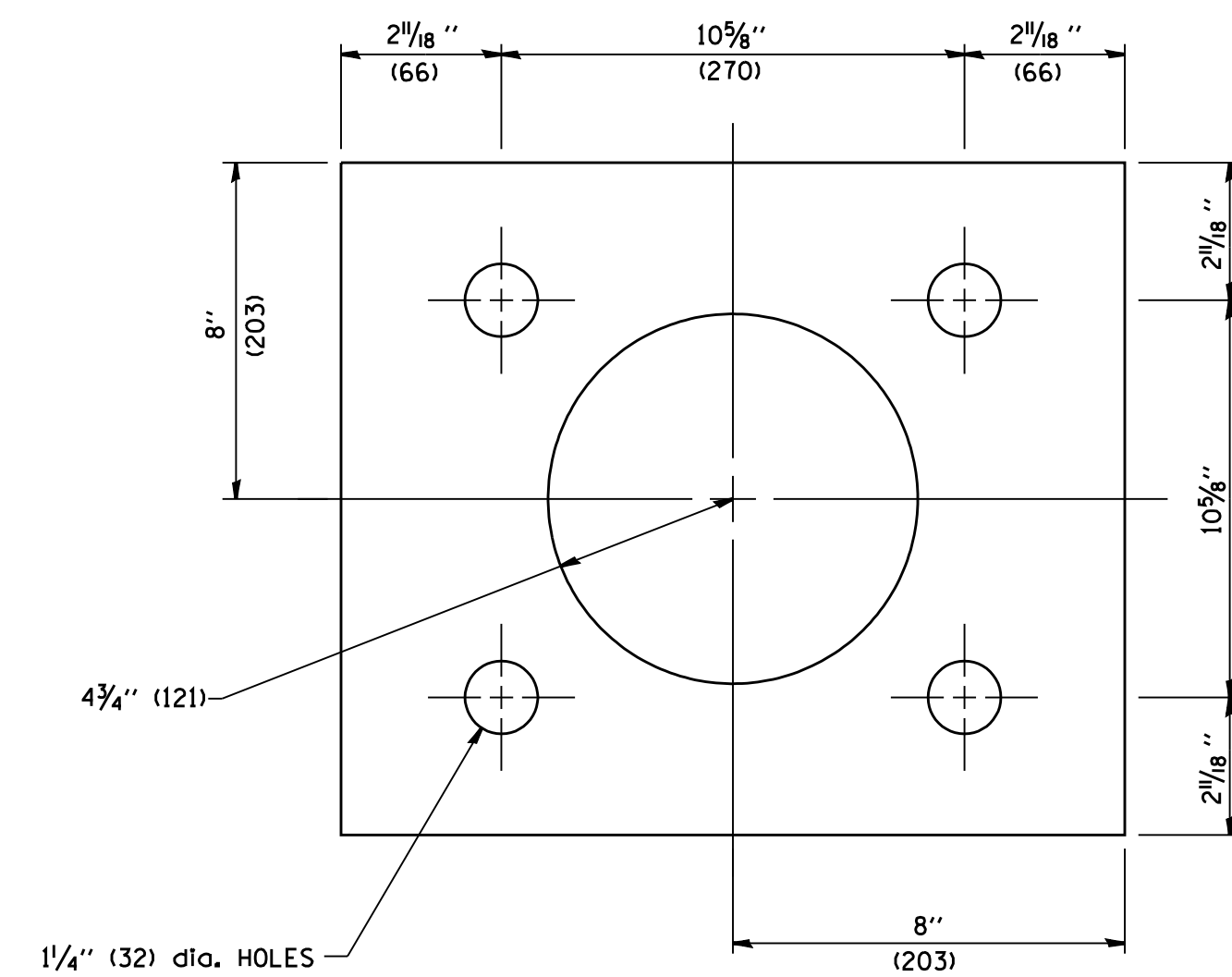


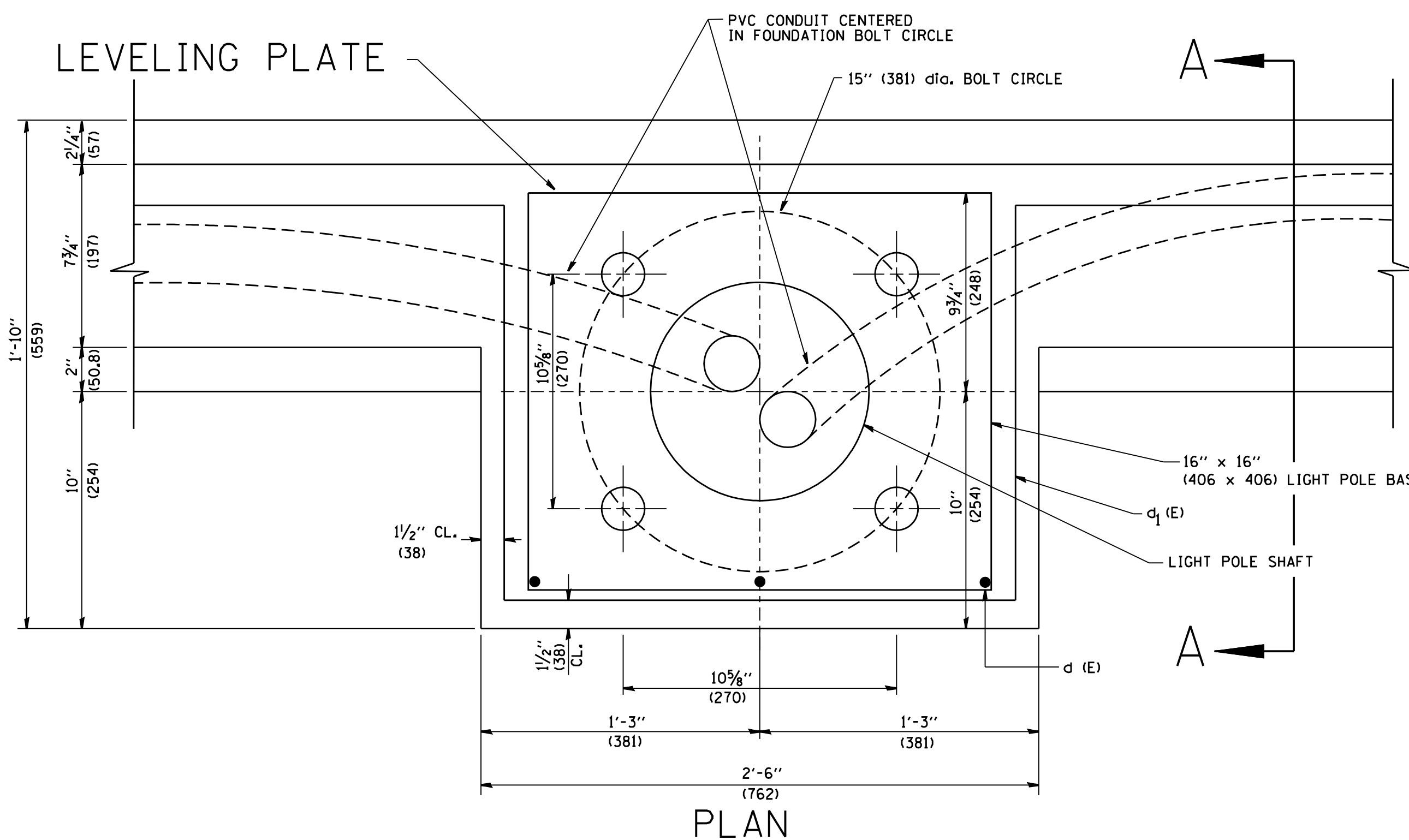
1" (25.4) dia. ANCHOR BOLT



SECTION A-A



LEVELLING PLATE DETAIL



PLAN

NOTES

1. ALL DIMENSIONS ARE IN INCHES (MILLIMETERS) UNLESS OTHERWISE SHOWN.
2. LEVEL LIGHT POLE PLATES, USING THE FLANGE NUTS, PRIOR TO POURING THE PARAPET WALL. THE TOP OF THE PLATE SHALL BE AT THE SAME ELEVATION AS THE FINISHED CONCRETE PARAPET.
3. THE COST OF ANCHOR BOLTS, CONDUIT, LEVELLING PLATE AND FOUNDATION IS INCLUDED IN THE COST OF THE BRIDGE STRUCTURE.

FILE NAME = W:\diststd\22x34\be330.dgn

USER NAME = gaglanobt  
PLOT SCALE = 50.0000' / IN.  
PLOT DATE = 1/4/2008

DESIGNED -  
DRAWN -  
CHECKED -  
DATE -  
REVISED - 04-22-02  
REVISED -  
REVISED -  
REVISED -

STATE OF ILLINOIS  
DEPARTMENT OF TRANSPORTATION

LIGHT POLE MOUNTED ON CONCRETE PARAPET WALL  
15" (381 mm) BOLT CIRCLE

SCALE: NONE SHEET NO. 1 OF 1 SHEETS STA. TO STA.

F.A. RTE.	SECTION	COUNTY	TOTAL SHEETS	SHEET NO.
	BE-330			
FED. ROAD DIST. NO. 1 ILLINOIS		CONTRACT NO.		
FED. AID PROJECT				