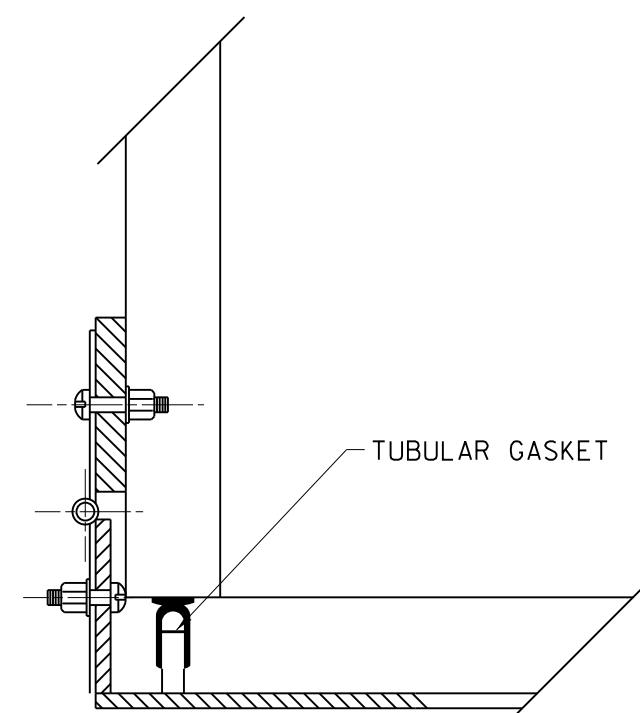
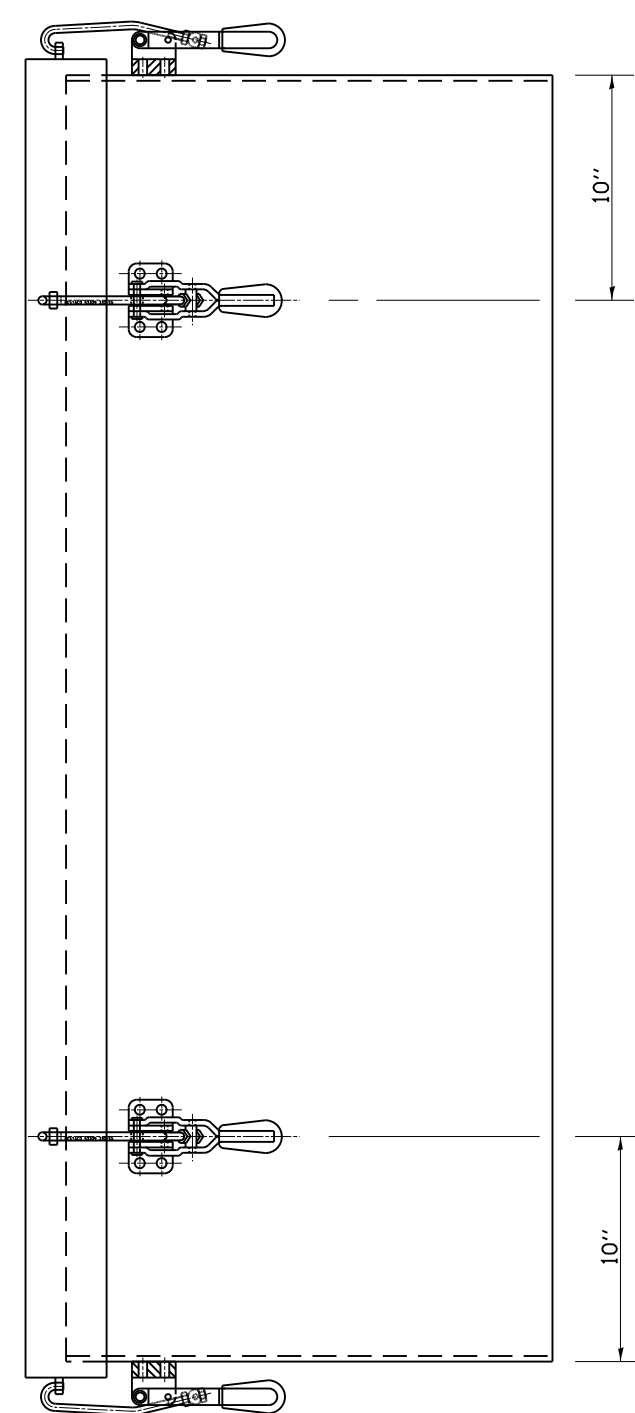


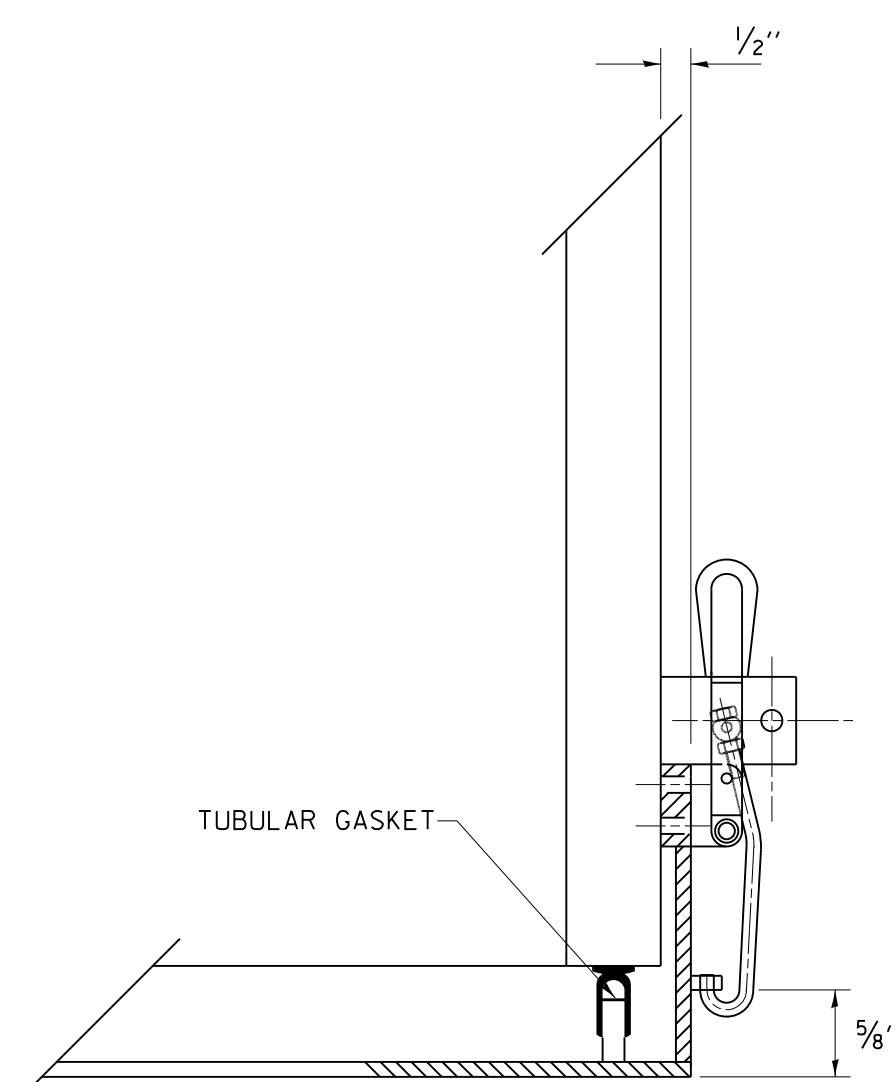
TOP VIEW



HINGE DETAIL

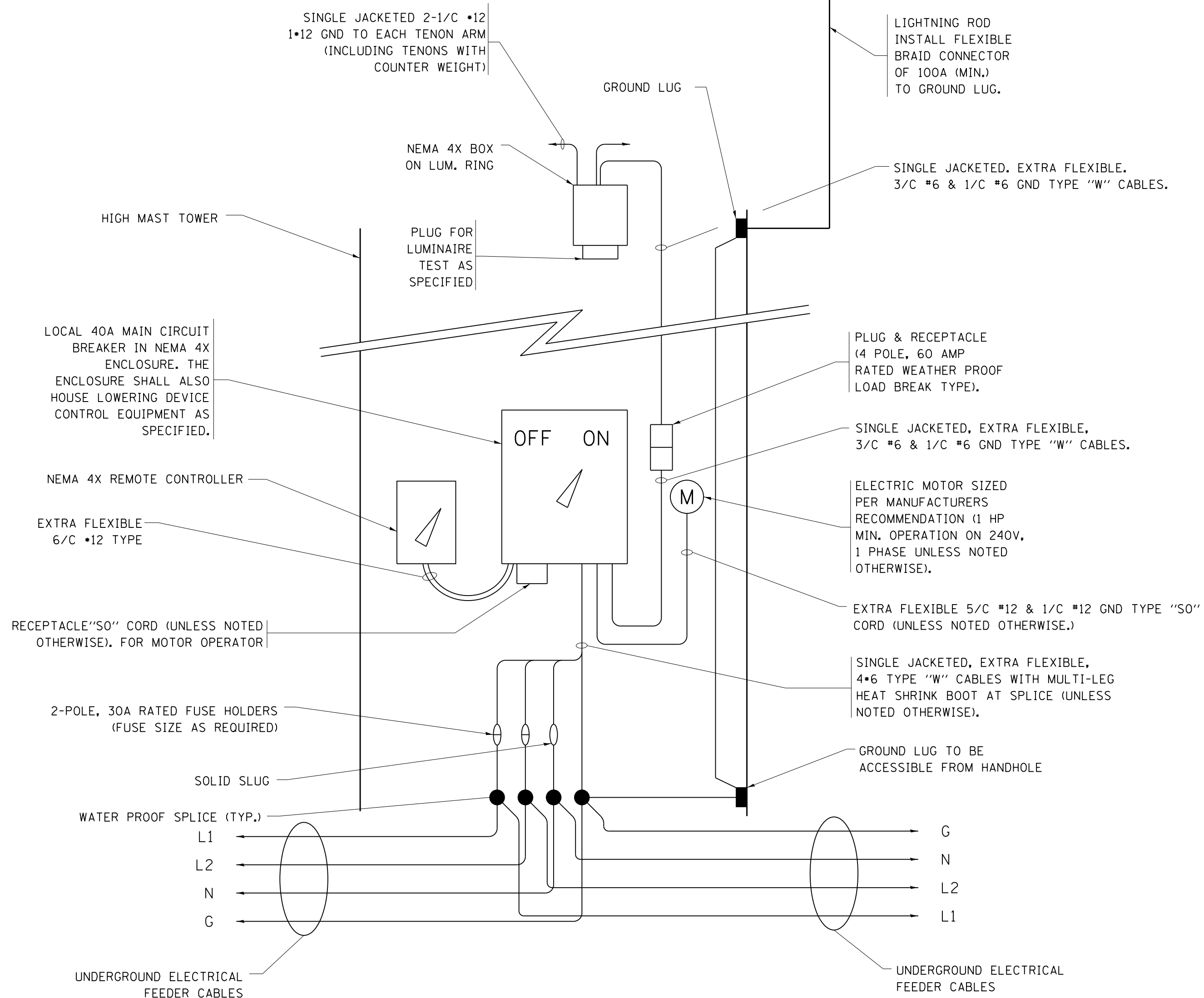


SIDE VIEW

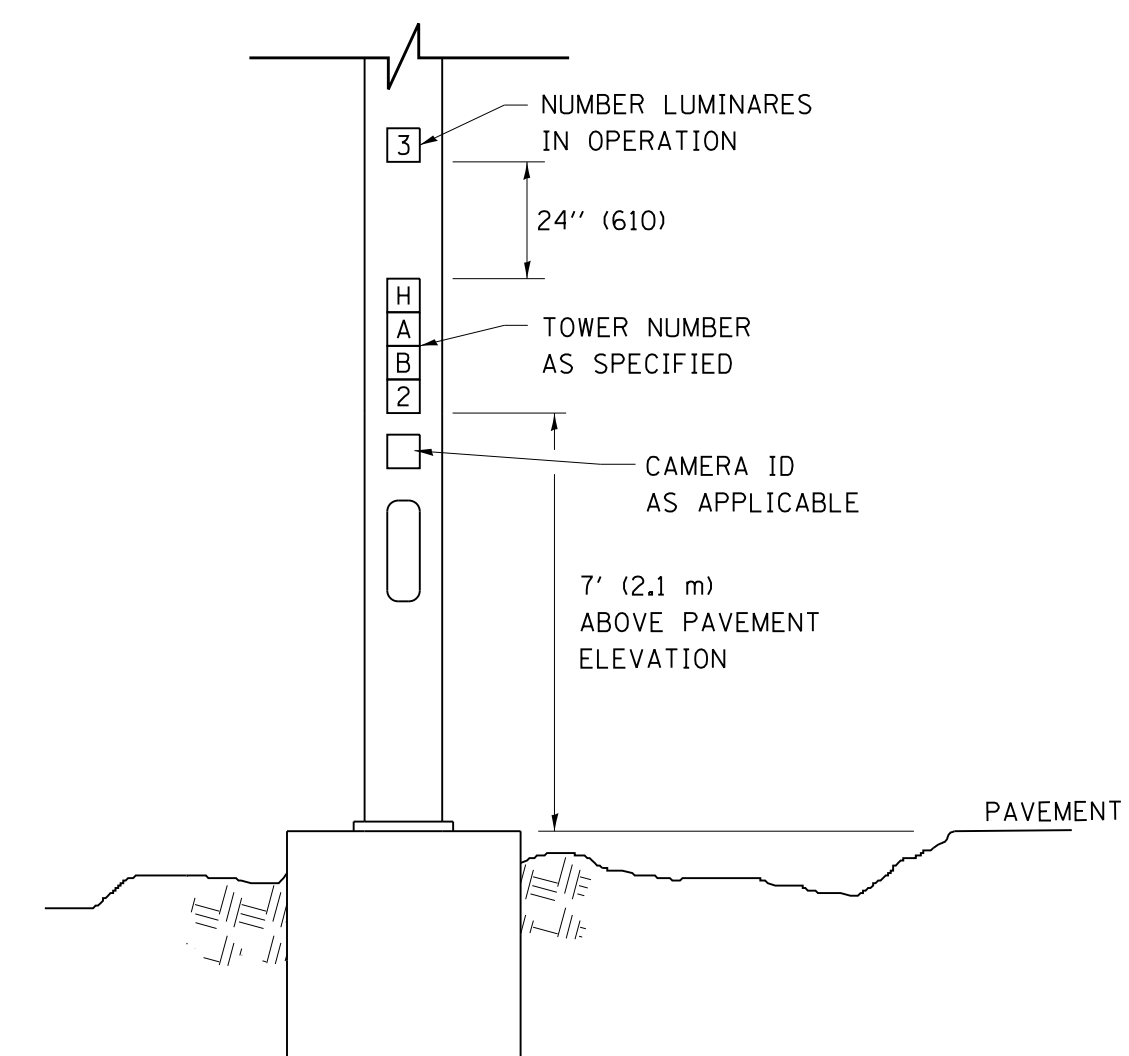


LATCH DETAIL

HANDHOLE DOOR DETAILS



HIGH MAST POLE WIRING DIAGRAM



LIGHT TOWER NUMBERING DETAIL

FILE NAME =	USER NAME = bauerdl	DESIGNED -	REVISED - 09-02-10
et:\pw\work\p\dot\bauerdl\d0108315\be510.dgn		DRAWN -	REVISED - 02-27-13
	PLOT SCALE = 50.0000' / 1"	CHECKED -	REVISED -
	PLOT DATE = 2/27/2013	DATE -	REVISED -

STATE OF ILLINOIS
DEPARTMENT OF TRANSPORTATION

HIGH MAST LIGHT TOWER
150 FT TO 160 FT (46 m TO 49 m)

SCALE: NONE SHEET NO. 3 OF 3 SHEETS STA. TO STA.

F.A. RTE.	SECTION	COUNTY	TOTAL SHEETS	SHEET NO.
	BE-510			
CONTRACT NO.				
FED. ROAD DIST. NO. 1 ILLINOIS FED. AID PROJECT				