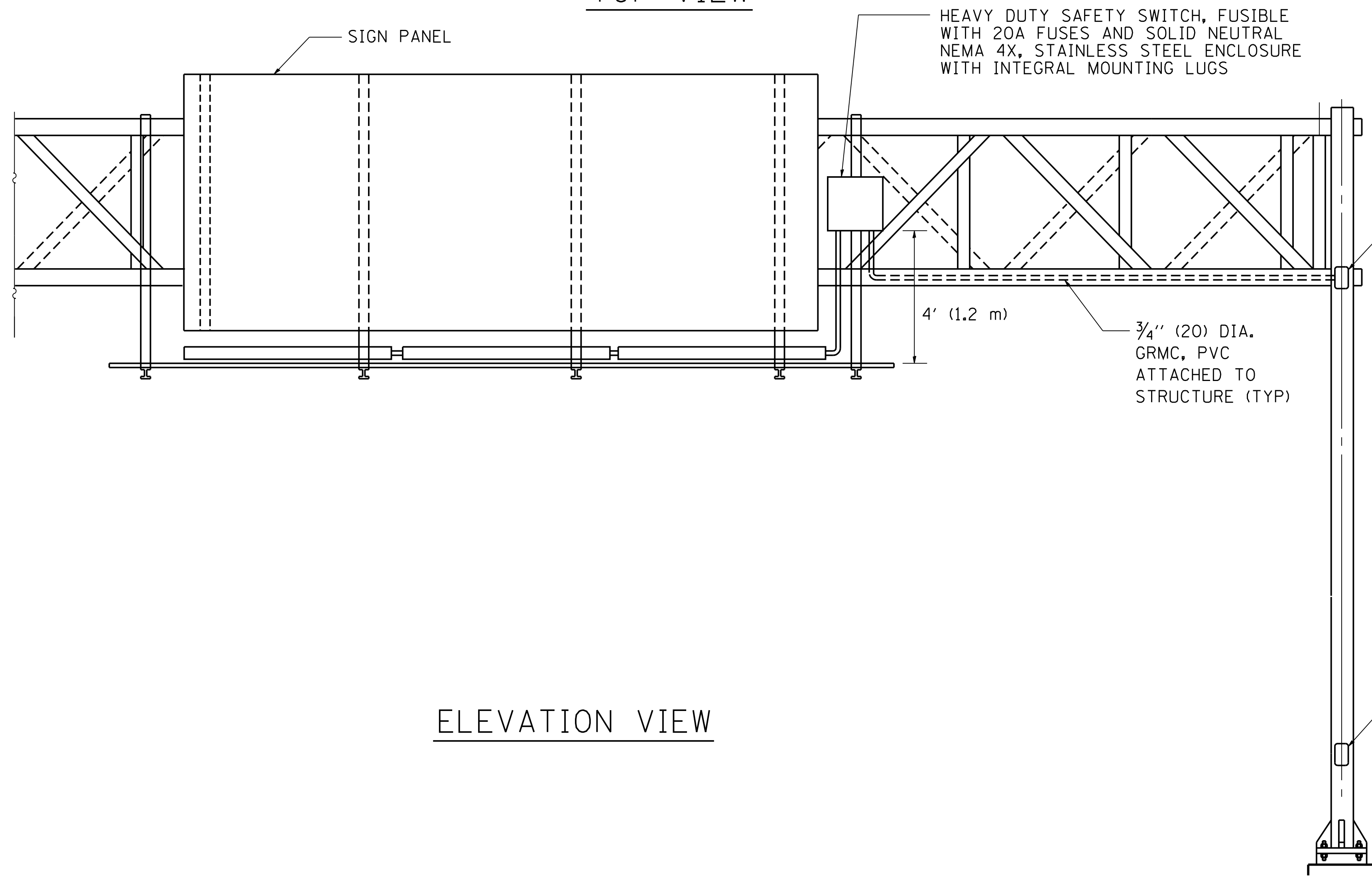
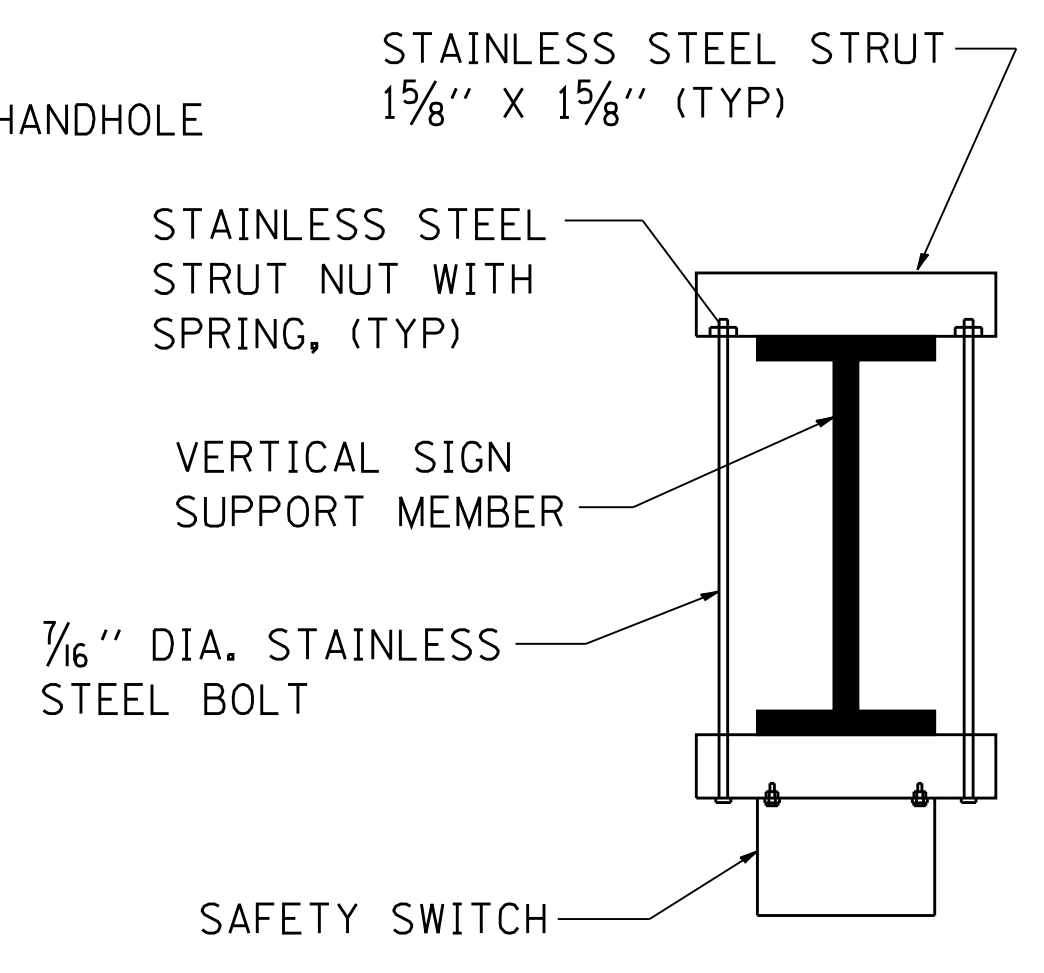
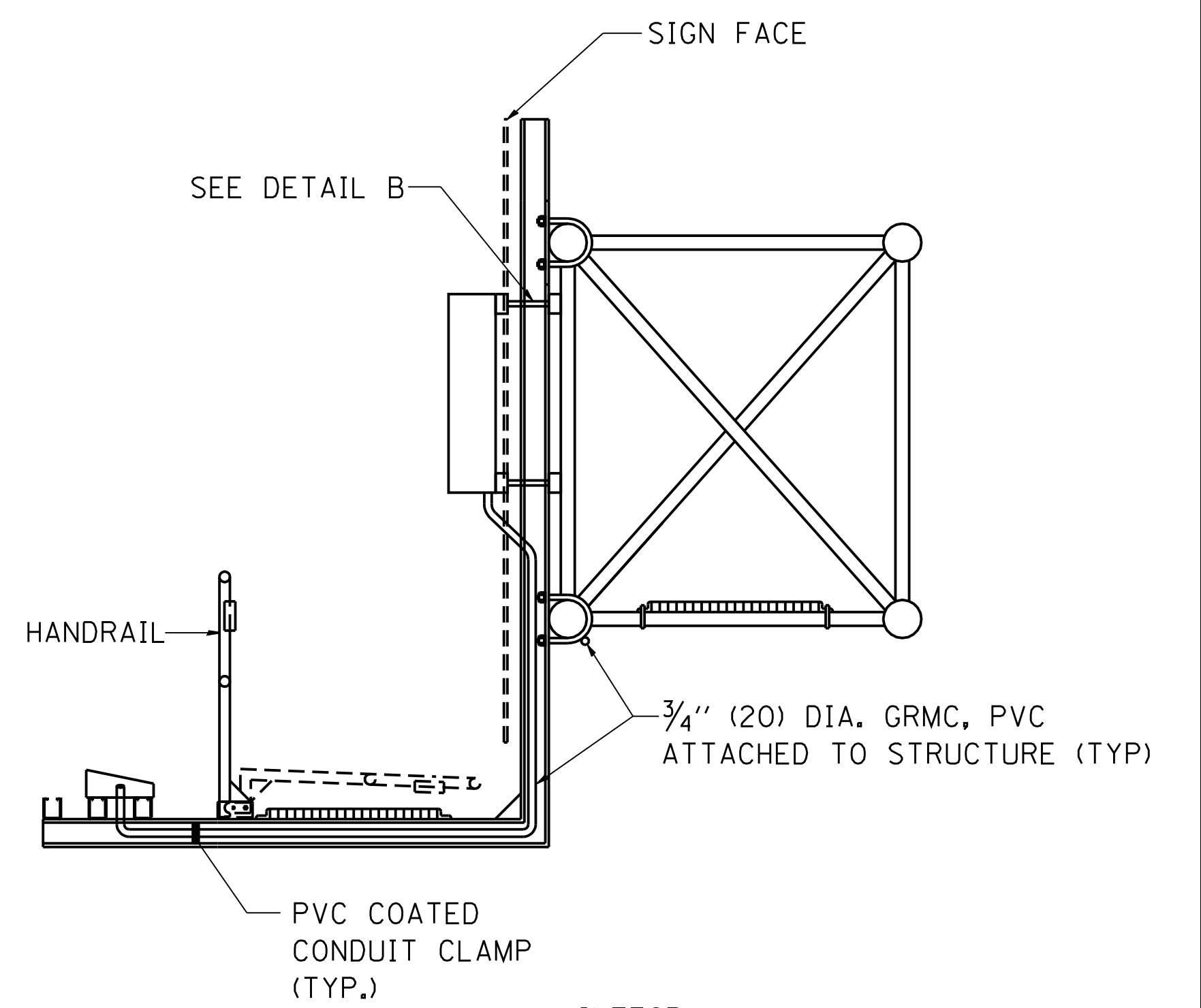


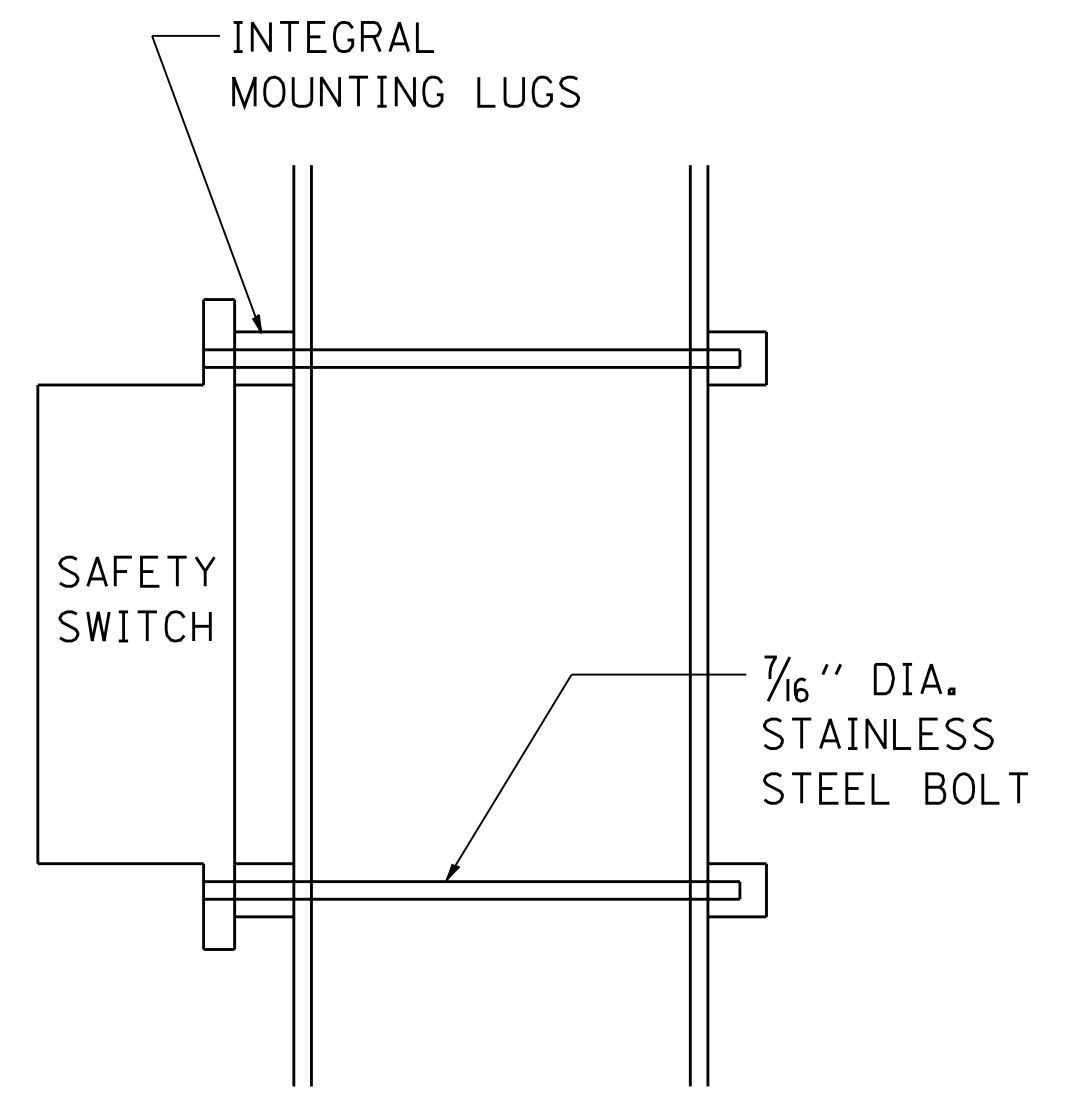
TOP VIEW



ELEVATION VIEW



TOP VIEW



SIDE VIEW

DETAIL B

FILE NAME = W:\diststd\22x34\be600.dgn	USER NAME = gaglionobt	DESIGNED -	REVISED - 09-19-04
		DRAWN -	REVISED -
	PLOT SCALE = 50.0000' / IN.	CHECKED -	REVISED -
	PLOT DATE = 1/4/2008	DATE -	REVISED -

**STATE OF ILLINOIS  
DEPARTMENT OF TRANSPORTATION**

<b>ELECTRIC CONNECTION TO SIGN STRUCTURE</b>			
<b>SPAN TYPE</b>			
SCALE: NONE	SHEET NO. 2 OF 2 SHEETS	STA.	TO STA.

F.A. RTE.	SECTION	COUNTY	TOTAL SHEETS	SHEET NO.
	<b>BE-600</b>			
FED. ROAD DIST. NO. 1		ILLINOIS FED. AID PROJECT		