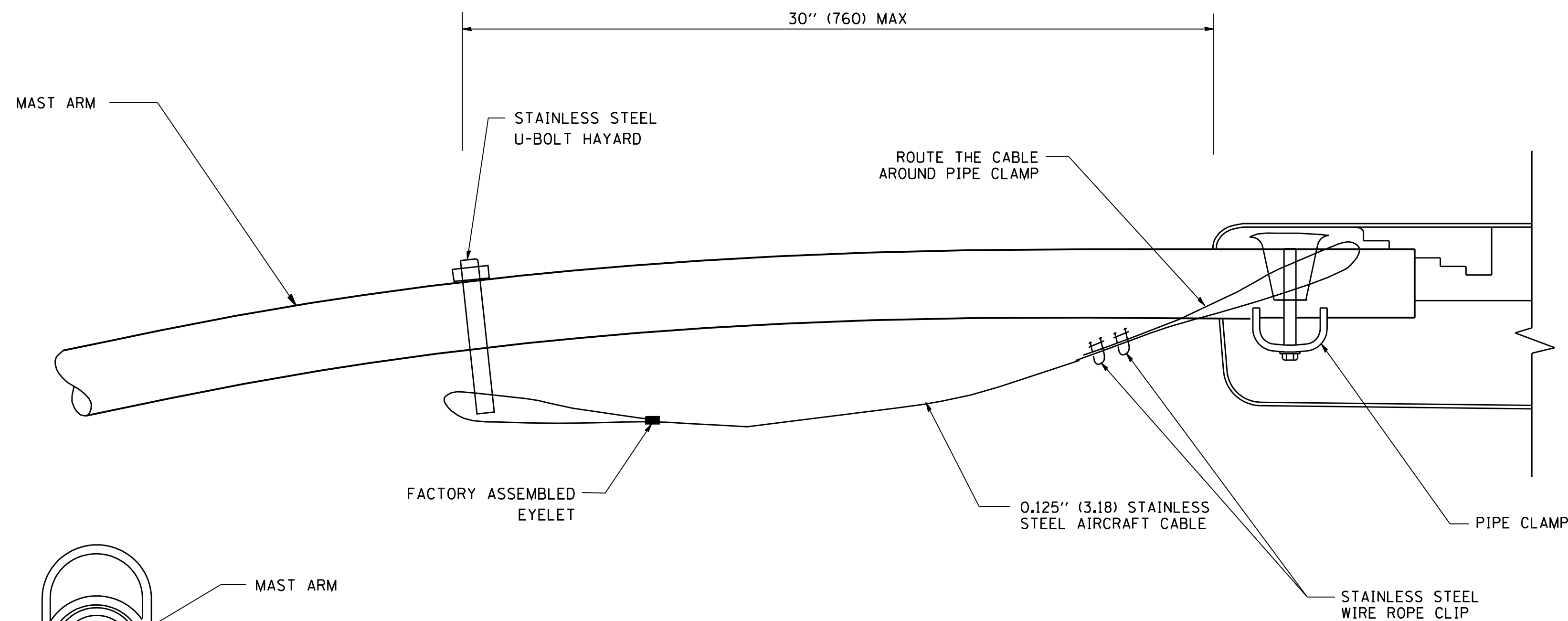
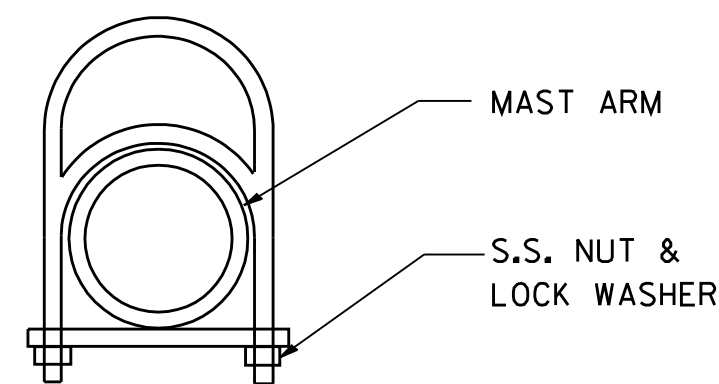


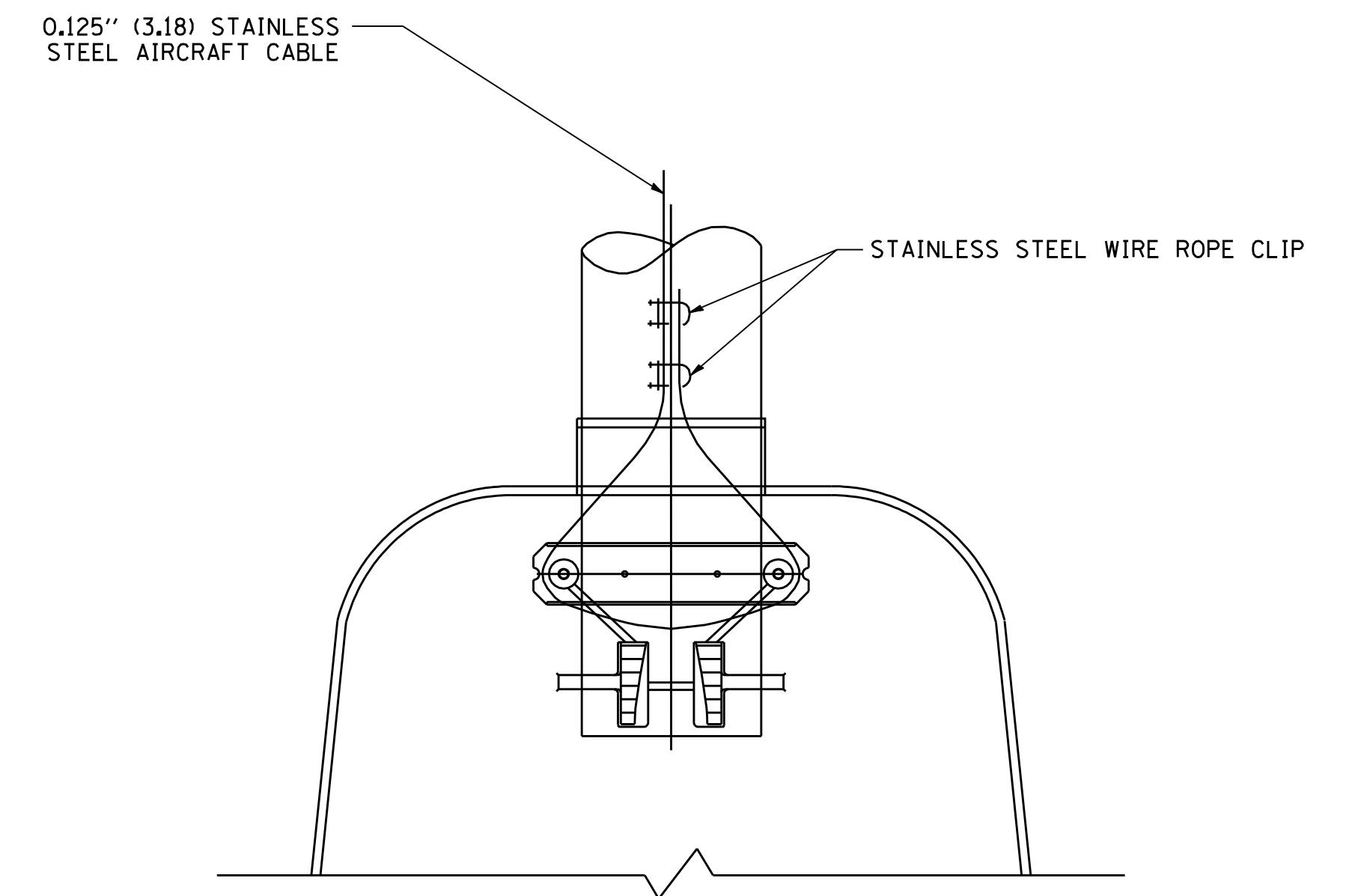
SIDE VIEW (TRUSS ARM)  
N.T.S.



SIDE VIEW (SINGLE MEMBER OR DAVIT ARM)  
N.T.S.



STAINLESS STEEL  
U-BOLT HAYARD



BOTTOM VIEW  
N.T.S.

NOTES:

1. ALL DIMENSIONS ARE IN MILLIMETERS (INCHES) UNLESS OTHERWISE SHOWN.
2. CONTRACTOR SHALL ADJUST THE WIRE CLIP TO ELIMINATE ANY SLACK FROM THE WIRE ROPE.
3. THE 0.125" (3.18) STAINLESS STEEL AIRCRAFT CABLE SHALL REMAIN VISIBLE FROM THE GROUND LEVEL.
4. THE BREAKING STRENGTH OF THE CABLE SHALL BE 1700 LBS. MIN.

FILE NAME = W:\diststd\22x34\be701.dgn	USER NAME = gaglionobt	DESIGNED -	REVISED - 08-08-03
		DRAWN -	REVISED -
	PLOT SCALE = 50.000' / IN.	CHECKED -	REVISED -
	PLOT DATE = 1/4/2008	DATE -	REVISED -

**STATE OF ILLINOIS  
DEPARTMENT OF TRANSPORTATION**

**LUMINAIRE SAFETY CABLE ASSEMBLY**

SCALE: NONE    SHEET NO. 1 OF 1 SHEETS    STA.    TO STA.

F.A. RTE.	SECTION	COUNTY	TOTAL SHEETS	SHEET NO.
	<b>BE-701</b>			
FED. ROAD DIST. NO. 1   ILLINOIS FED. AID PROJECT			CONTRACT NO.	