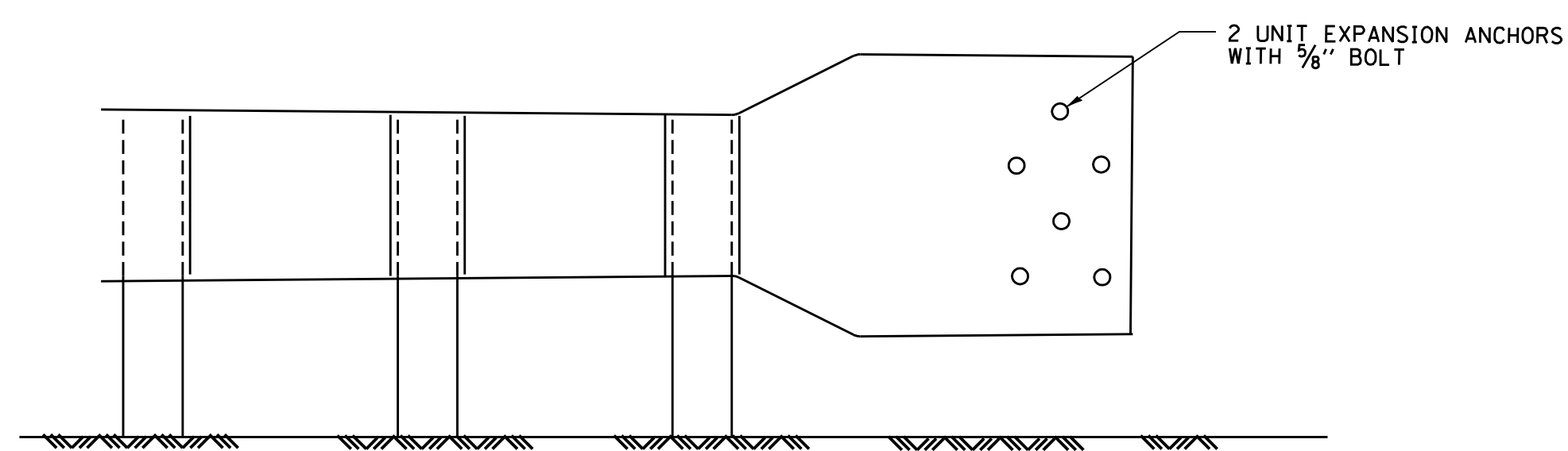
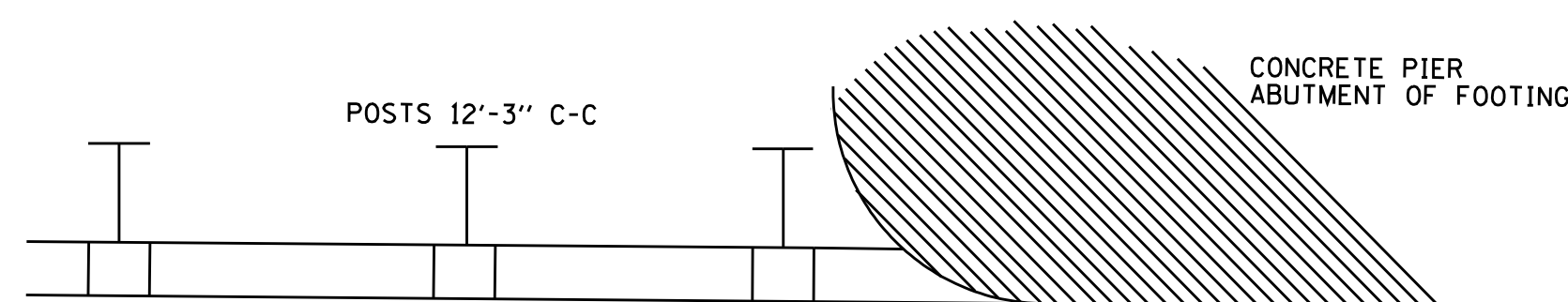


SECTION A-A
SCALE 4" = 1'

DETAIL OF CONNECTION OF GUARDRAIL TO SQUARE BRIDGE PIER OR FOUNDATION.



TYPICAL INSTALLATION
DETAIL OF CONNECTION OF GUARDRAIL TO ROUNDED BRIDGE PIER OR FOUNDATION

THIS SHEET IS FOR INFORMATION ONLY

FILE NAME = W:\diststd\22x34\bm07.dgn	USER NAME = gaglionobt	DESIGNED - DRAWN - RFL	REVISED - R. RITCHIE 05-02-00
	PLOT SCALE = 50.000' / IN.	CHECKED -	REVISED -
	PLOT DATE = 1/4/2008	DATE - 10-31-88	REVISED -

STATE OF ILLINOIS
DEPARTMENT OF TRANSPORTATION

DETAIL OF GUARDRAIL SUPPORT
AND END ANCHORAGE

SCALE: NONE SHEET NO. 1 OF 1 SHEETS STA. TO STA.

F.A. RTE.	SECTION	COUNTY	TOTAL SHEETS	SHEET NO.
	BM-07			
FED. ROAD DIST. NO. 1 ILLINOIS FED. AID PROJECT			CONTRACT NO.	