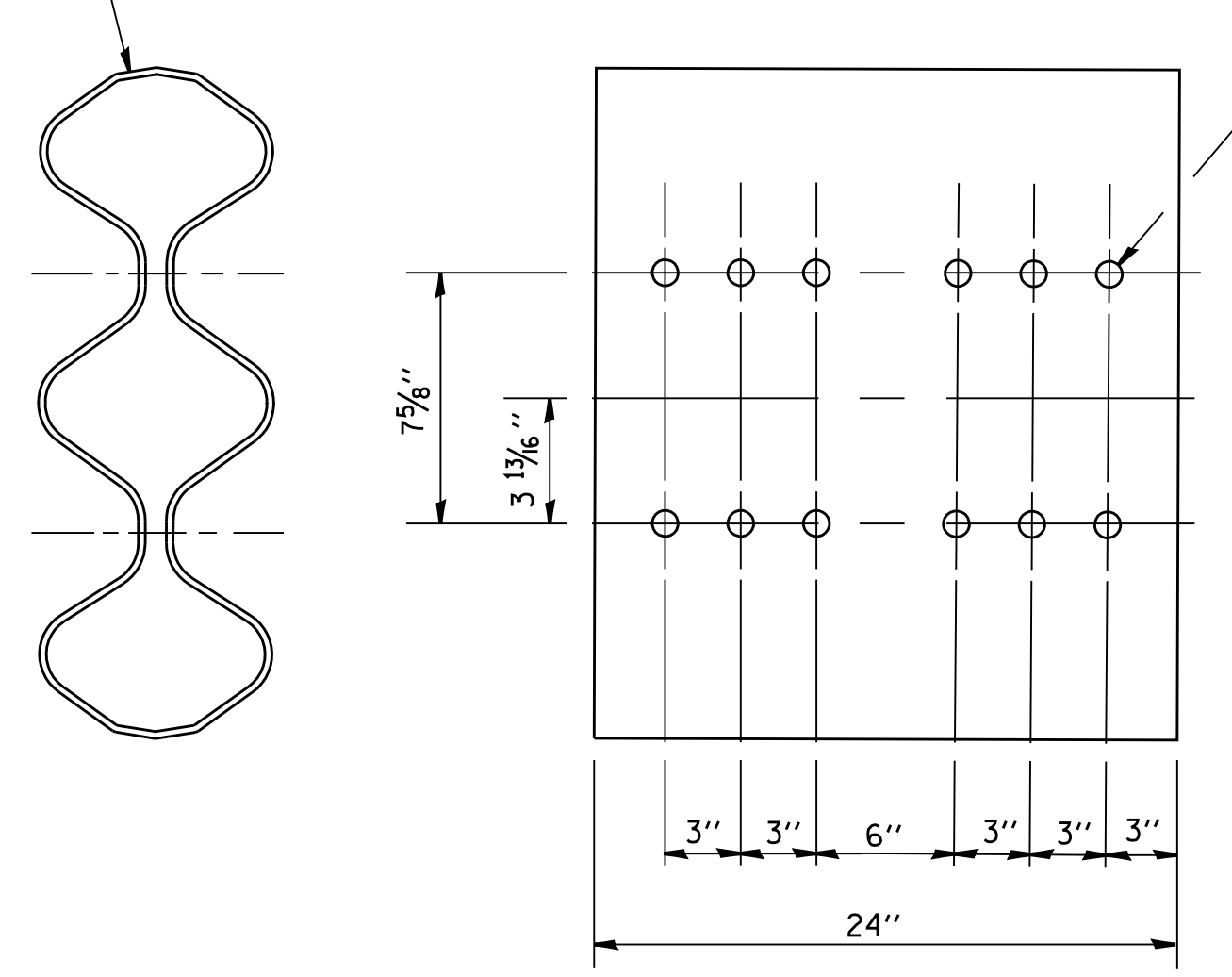
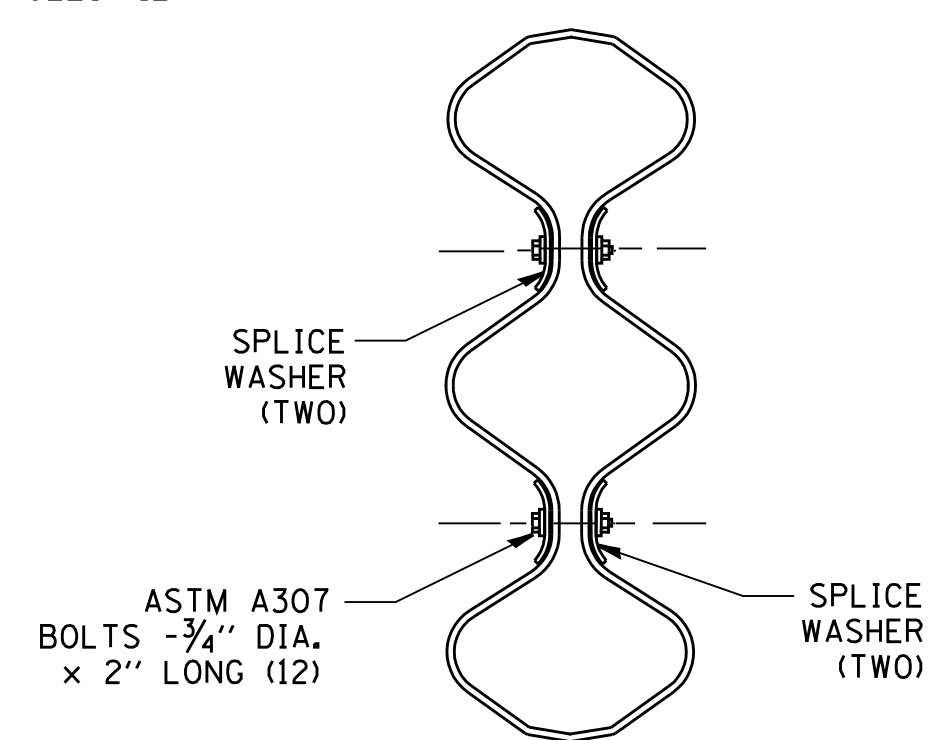


TUBULAR BEAM - 12 GAUGE

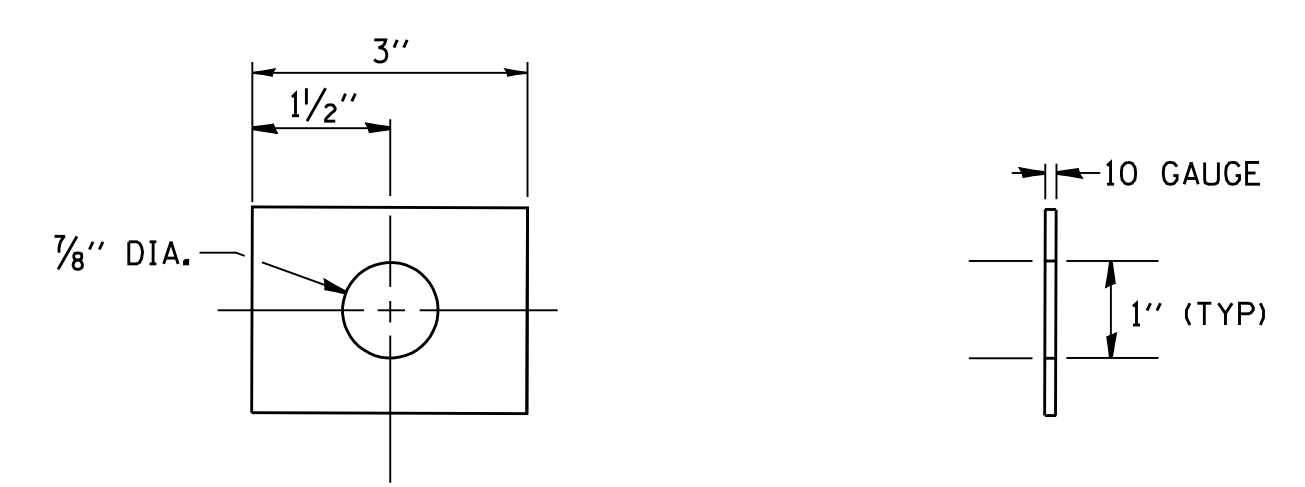
PROFILE ACCORDING TO MANUFACTURERS TOLERANCES



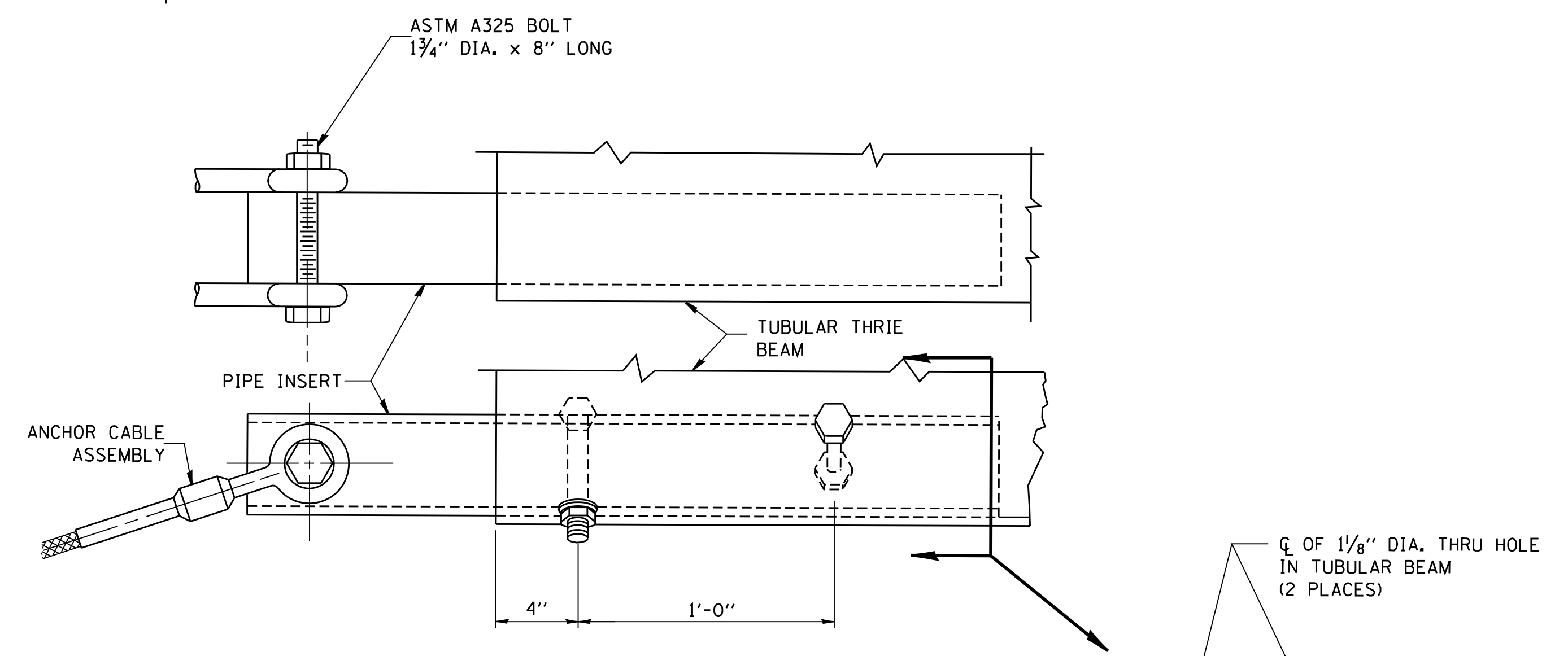
INTERNAL SPLICE - 10 GAUGE



SPLICE DETAIL



SPLICE WASHER



DETAIL A

FILE NAME = W:\diststd\22x34\bm08.dgn	USER NAME = gagl@nbt	DESIGNED -	REVISED - R. RITCHIE 05-02-00	STATE OF ILLINOIS DEPARTMENT OF TRANSPORTATION	SELF RESTORING BARRIER GUARDRAIL DETAIL			F.A. RTE.	SECTION	COUNTY	TOTAL SHEETS	SHEET NO.
		DRAWN - RFL	REVISED -		SCALE: NONE	SHEET NO. 2 OF 3 SHEETS	STA.	TO STA.	BM-08		CONTRACT NO.	
		CHECKED -	REVISED -		FED. ROAD DIST. NO. 1 ILLINOIS FED. AID PROJECT							
		DATE -	REVISED -									