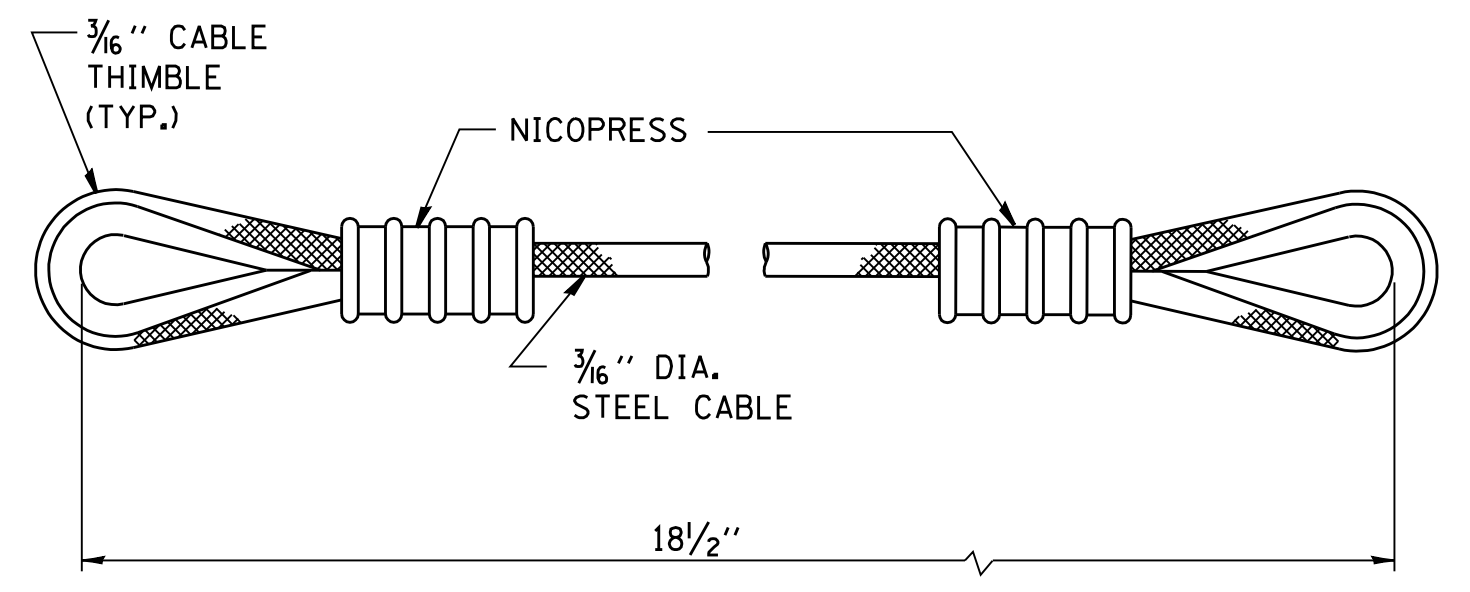
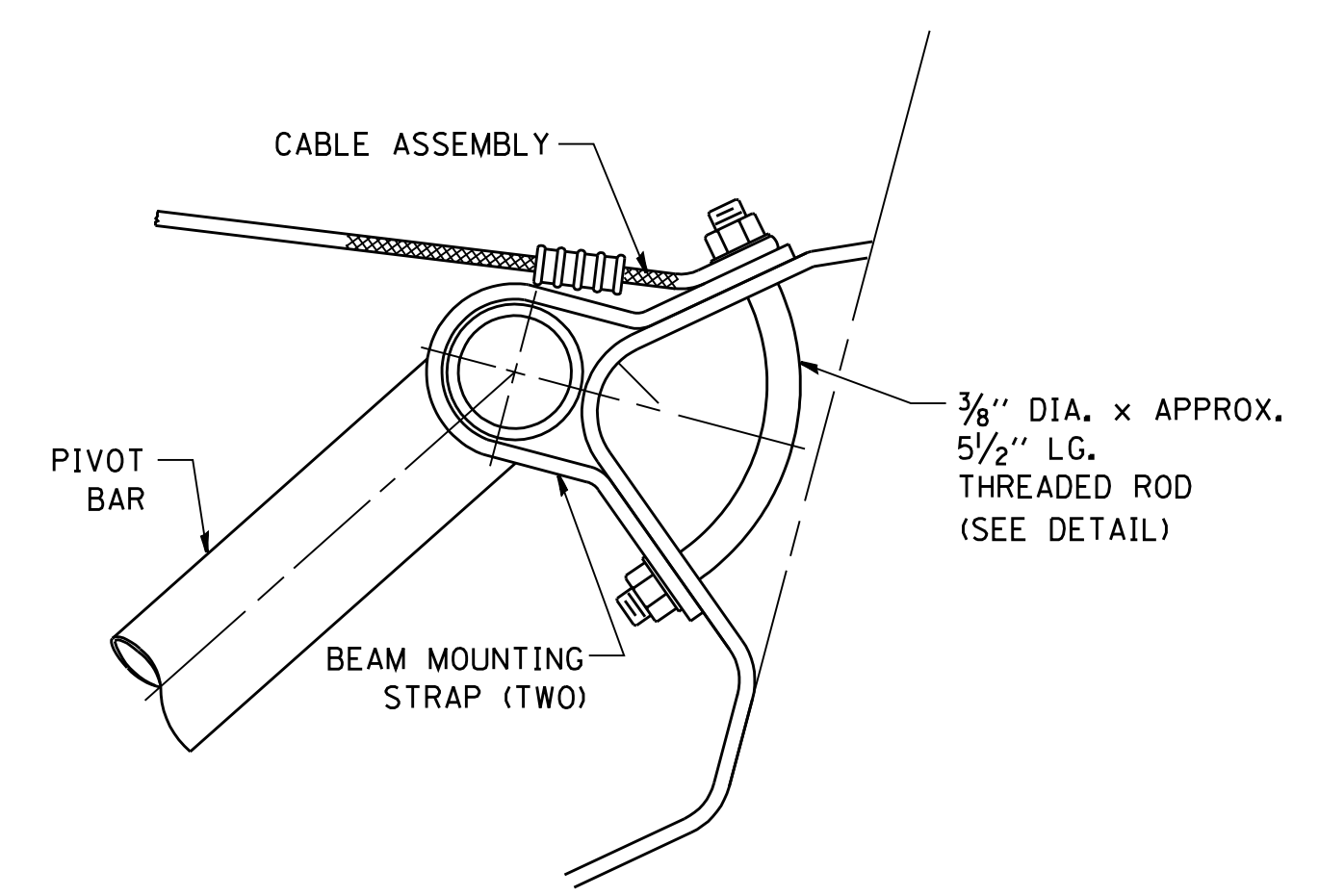


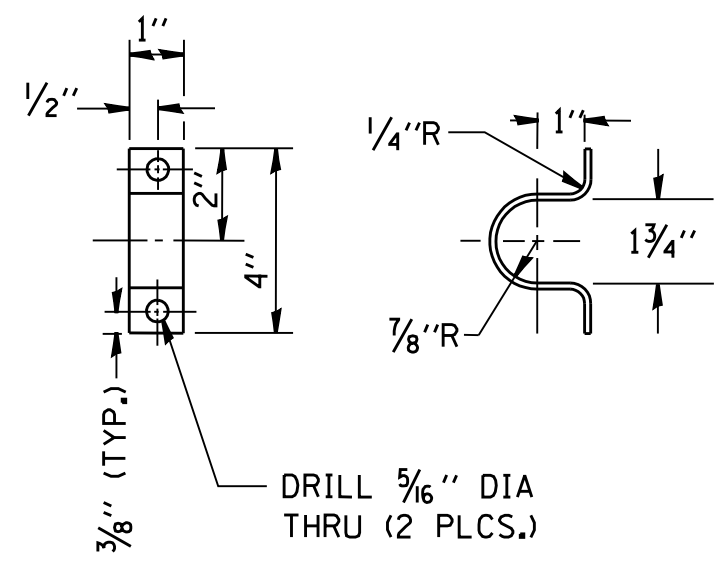
TYPICAL POST
(SEE POST TABLE)



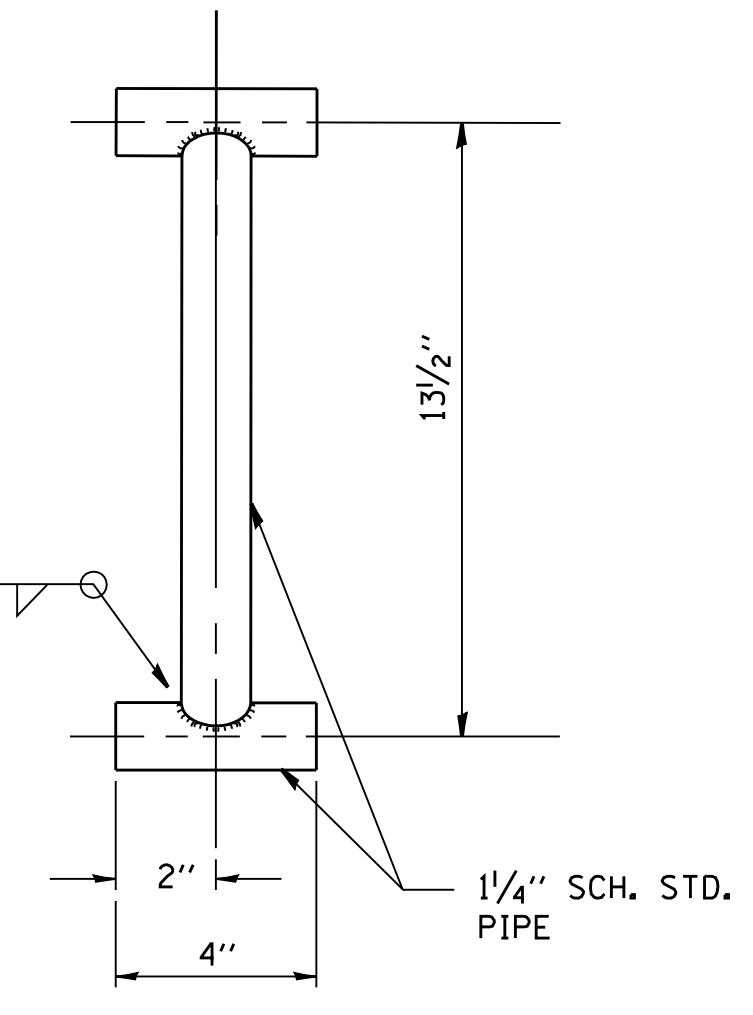
SUPPORT CABLE ASSEMBLY
MIN. BREAKING STRENGTH 4200 LBS.



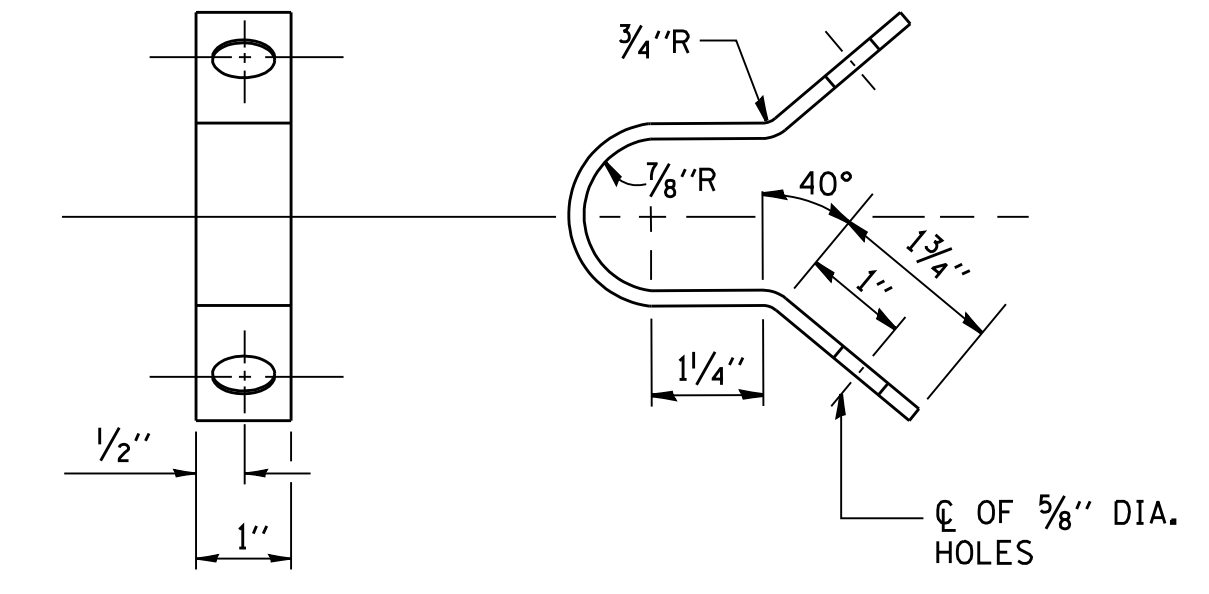
DETAIL "A"



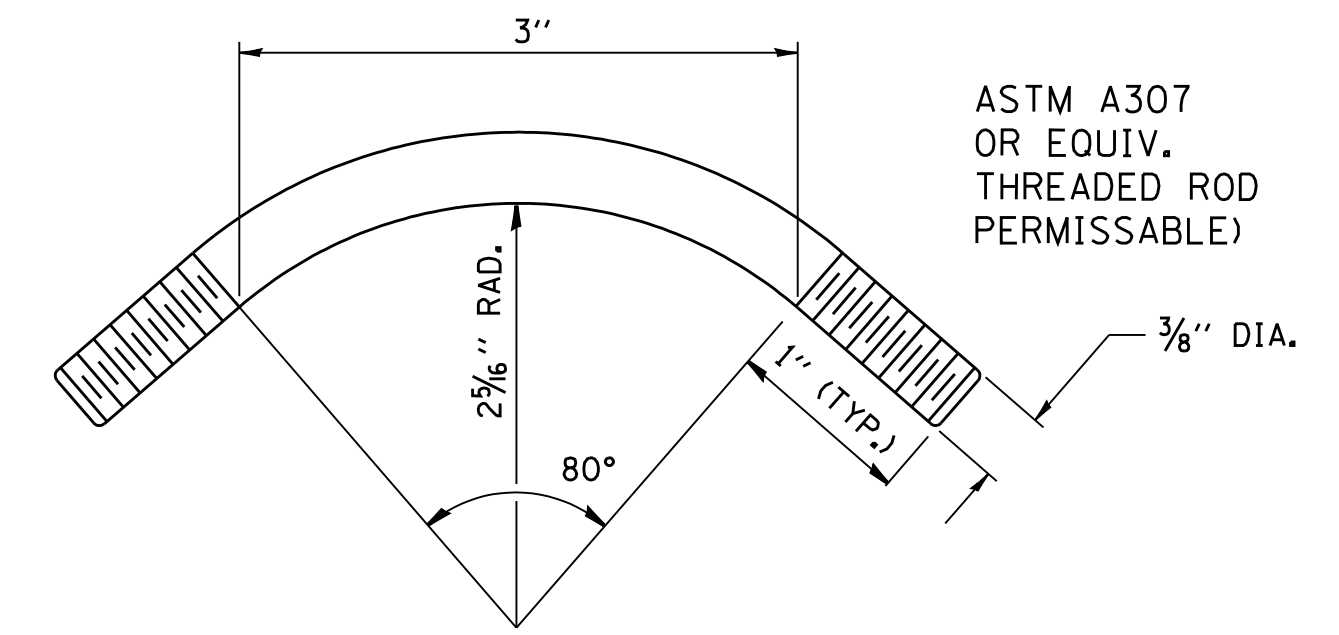
MOUNTING BRACKET
- PIVOT BAR -
(2 REQ'D.)



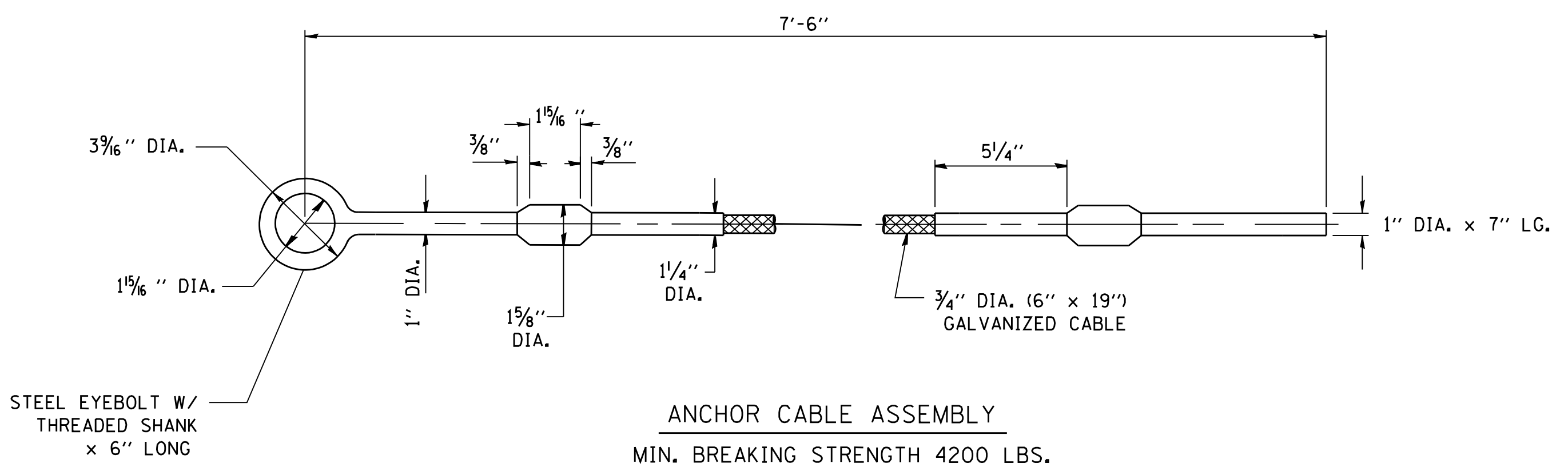
PIVOT BAR



BEAM MOUNTING STRAP, 10 GA.



THREADED ROD DETAIL



ANCHOR CABLE ASSEMBLY
MIN. BREAKING STRENGTH 4200 LBS.

FILE NAME = W:\diststd\22x34\bm08.dgn	USER NAME = gaglanobt	DESIGNED - DRAWN - RFL	REVISED - R. RITCHIE 05-02-00	STATE OF ILLINOIS DEPARTMENT OF TRANSPORTATION	SELF RESTORING BARRIER GUARDRAIL DETAIL			F.A. RTE.	SECTION	COUNTY	TOTAL SHEETS	SHEET NO.	
PLOT SCALE = 50.000' / IN.	CHECKED -	REVISIED -	REVISIED -		SCALE: NONE	SHEET NO. 3 OF 3 SHEETS	STA.	TO STA.	BM-08		CONTRACT NO.		
PLOT DATE = 1/4/2008	DATE -	REVISIED -	REVISIED -		FED. ROAD DIST. NO. 1 ILLINOIS FED. AID PROJECT								