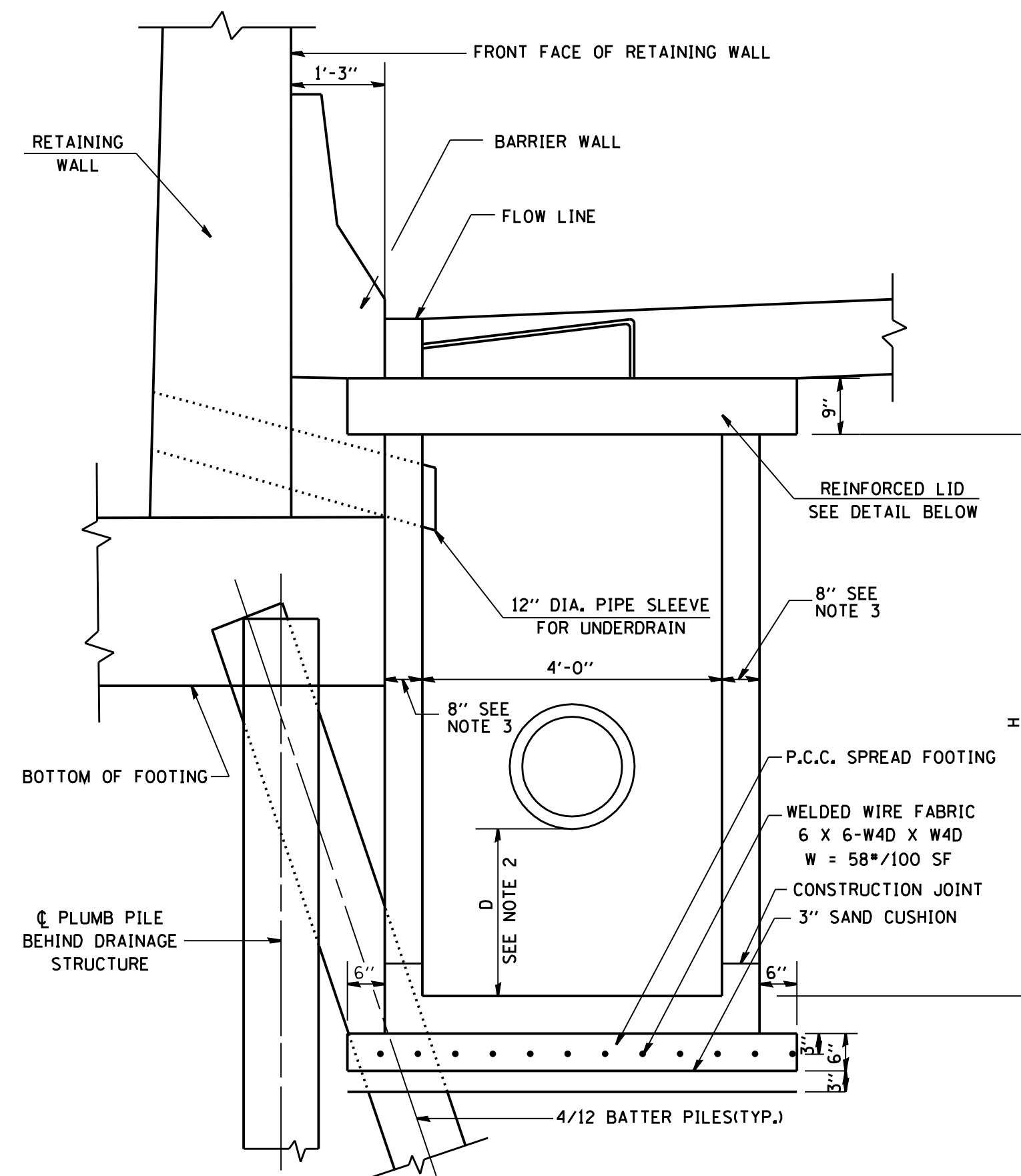
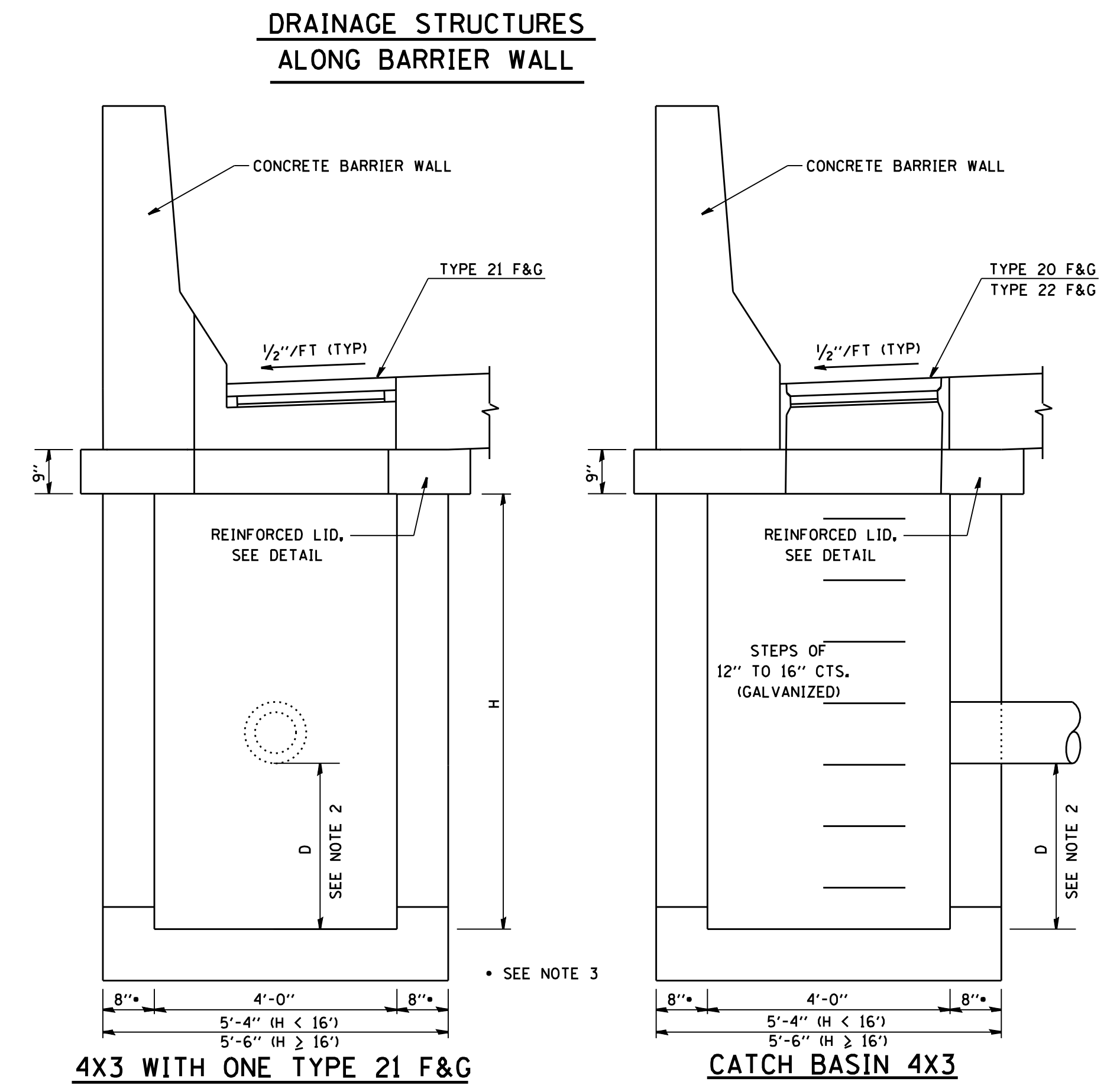


PIPE UNDERDRAIN CONNECTION DETAIL

AS SHOWN PROVIDE ON EACH FACE ONE (1) 3" DEEP DEPRESSION FOR USE AS UNDERDRAIN CONNECTIONS.
 USE: 5" DIAMETER FOR 4" P.U.
 7" DIAMETER FOR 6" P.U.
 9" DIAMETER FOR 8" P.U.
 REFER TO PLANS FOR SIZE & LOCATION OF UNDERDRAIN



CATCH BASIN ALONG RETAINING WALLS

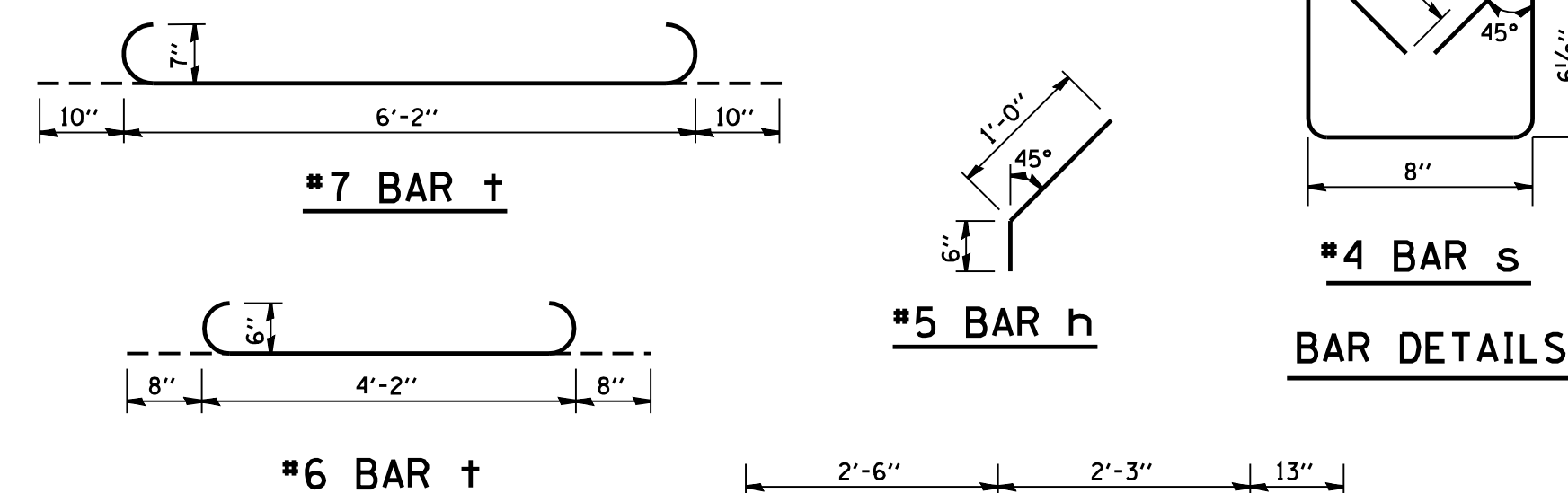


4x3 WITH ONE TYPE 21 F&G

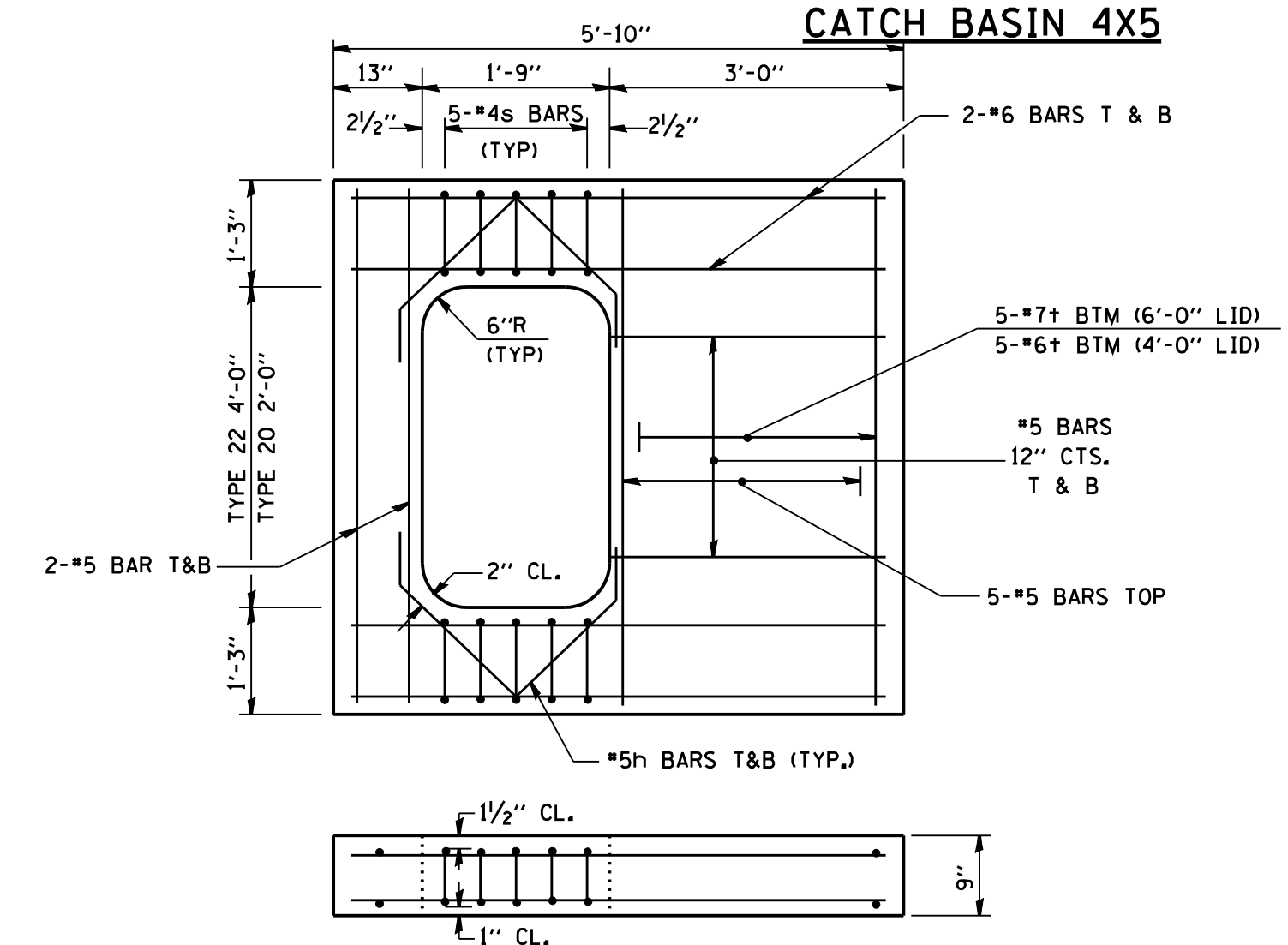
CATCH BASIN 4x3

		H	8FT-10FT	10FT-12FT	12FT-14FT	14FT-18FT	18FT-22FT
HORIZONTAL BARS IN WALLS	BAR SIZE	#5	#5	#6	#6	#6	#6
	SPACING	12" CTS	12" CTS	12" CTS	12" CTS	12" CTS	12" CTS
VERTICAL BARS IN WALLS	BAR SIZE	#5	#5	#5	#5	#5	#5
	SPACING	12" CTS	12" CTS	12" CTS	12" CTS	12" CTS	12" CTS
BARS IN BASE SLAB	BAR SIZE	#5	#5	#5	#5	#5	#5
	SPACING	12" CTS	12" CTS	12" CTS	12" CTS	12" CTS	12" CTS
H		≤10 FT	>10FT<12FT	>12FT<14FT	>14FT<18FT	>18FT<22FT	

NOTE: PLACE REINFORCEMENT PER STANDARD 2384

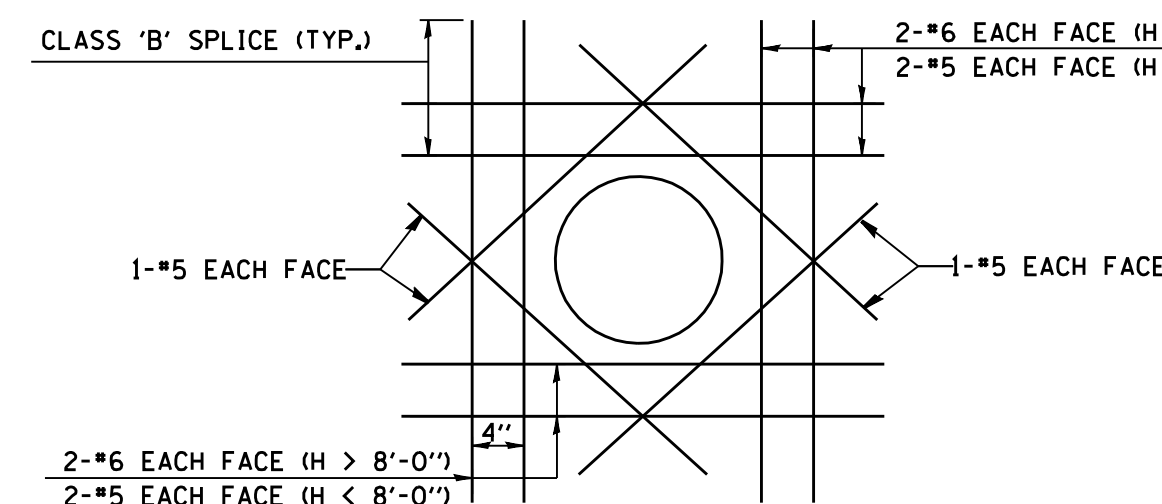


BAR DETAILS



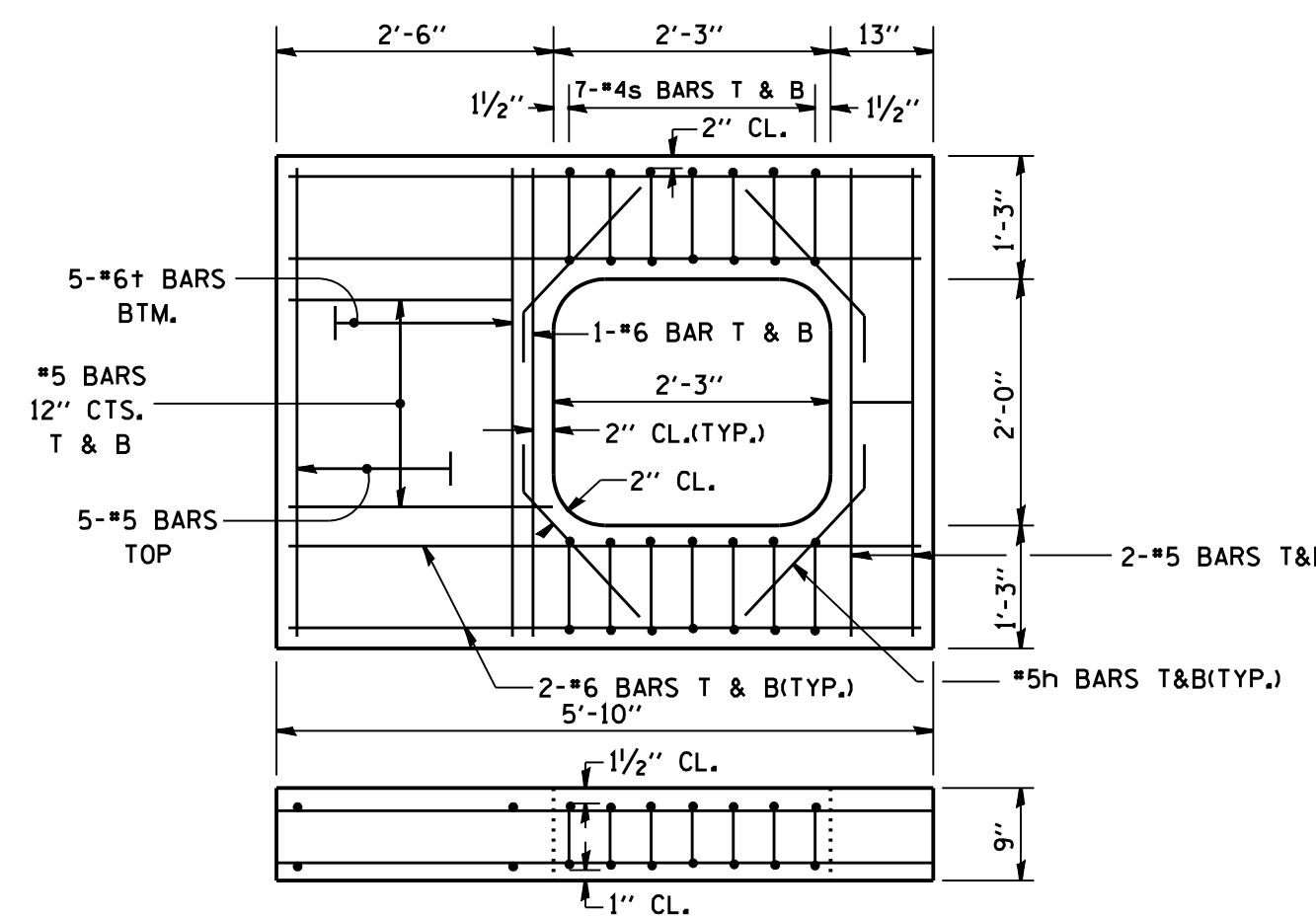
REINFORCED LID FOR TYPE 20 AND 22 F&G

- NOTES:
- DRAINAGE STRUCTURE SHALL CONFORM TO I.D.O.T. STANDARD 2384 EXCEPT AS NOTED.
 - D = 0' FOR INLETS
D = 3' FOR C.B.'S
 - WHEN H ≥ 16'-0", THICKNESS OF WALL AND BASE SLAB SHALL BE INCREASED TO 9".
 - SAND CUSHION SHALL CONFORM TO THE REQUIREMENTS OF ARTICLE 703.01 (FA1 OR FA2).
 - THE FOOTING WILL NOT BE PAID FOR SEPARATELY, BUT SHALL BE CONSIDERED INCIDENTAL TO THE DRAINAGE STRUCTURE.



TYPICAL REINFORCEMENT DETAIL AROUND OPENINGS (OPENING ≥ 12")

WHERE CLASS 'B' SPLICE LENGTH ANCHORAGE IS NOT POSSIBLE, BARS SHOULD BE HOOKED.



REINFORCED LID FOR TYPE 21 F&G