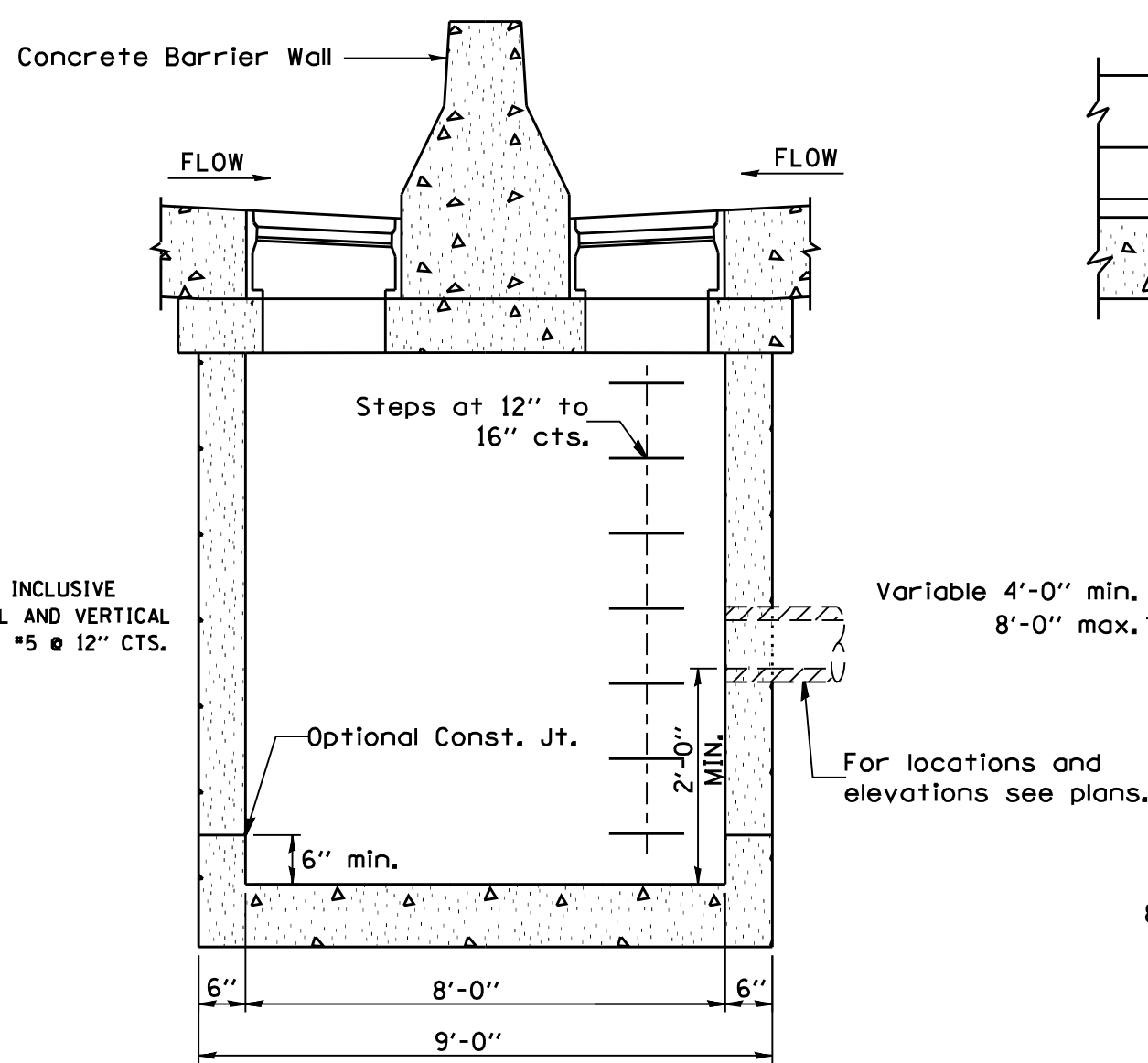
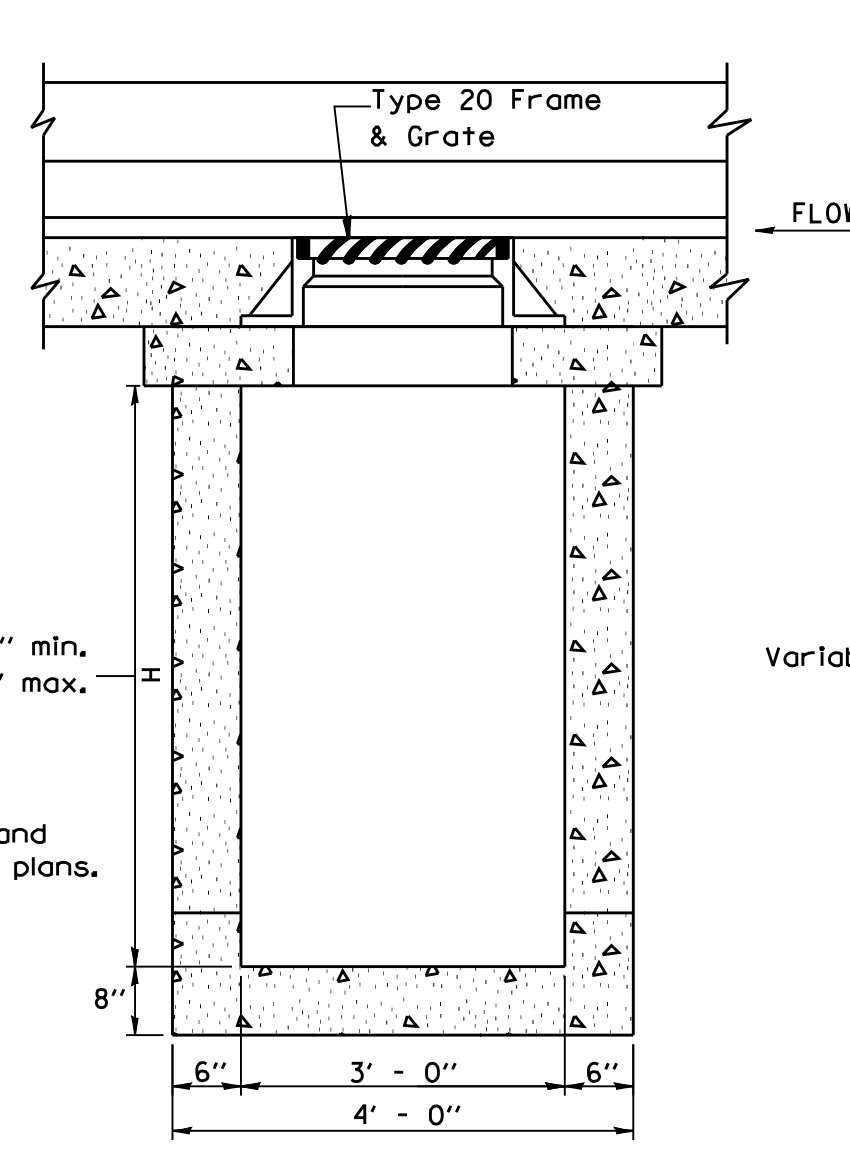


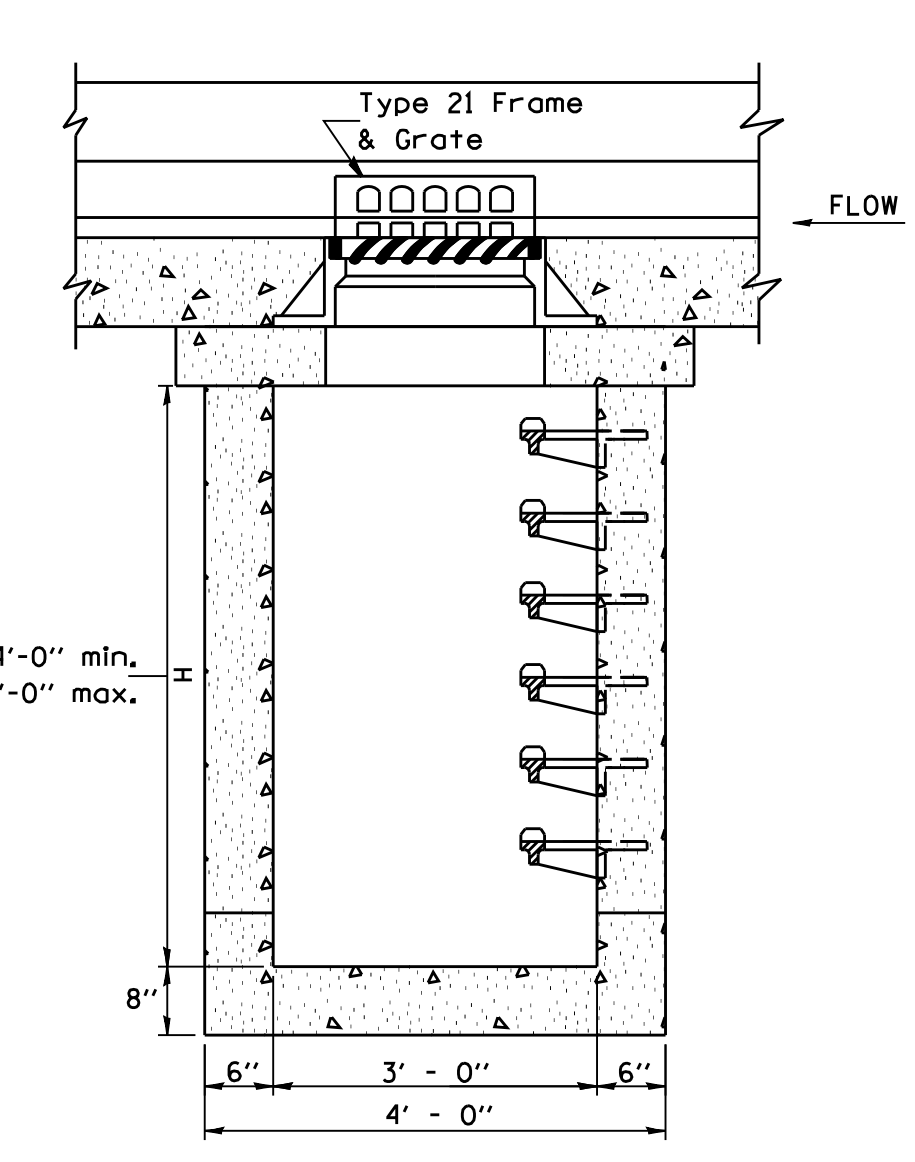
**FRONT ELEVATION**  
(DRAINAGE STRUCTURE, TYPE 8x5)  
**TYPE 22 FRAME AND GRATE**



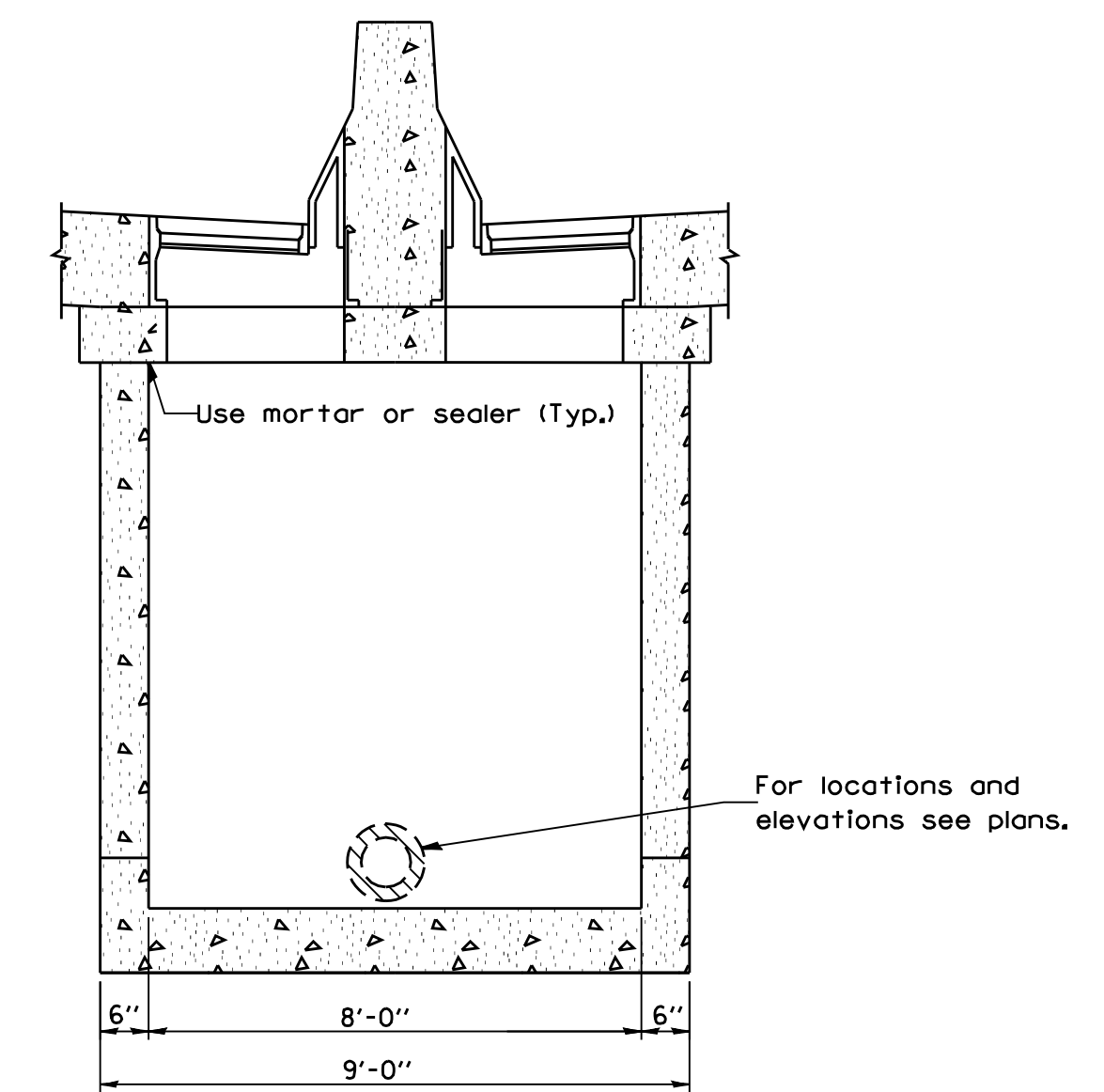
**SIDE ELEVATION**  
(DRAINAGE STRUCTURE, TYPE 8x3 & 8x5)  
**TYPE 20 & 22 FRAME AND GRATE**



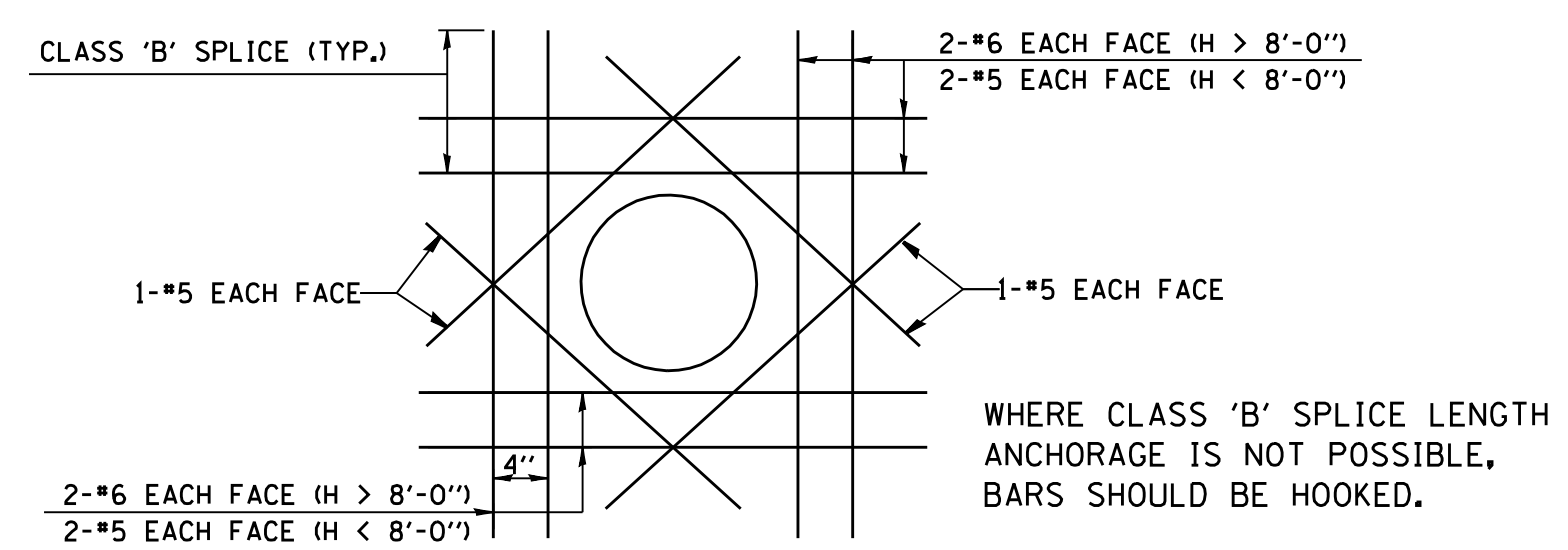
**FRONT ELEVATION**  
(DRAINAGE STRUCTURE, TYPE 8x3)  
**TYPE 20 FRAME AND GRATE**



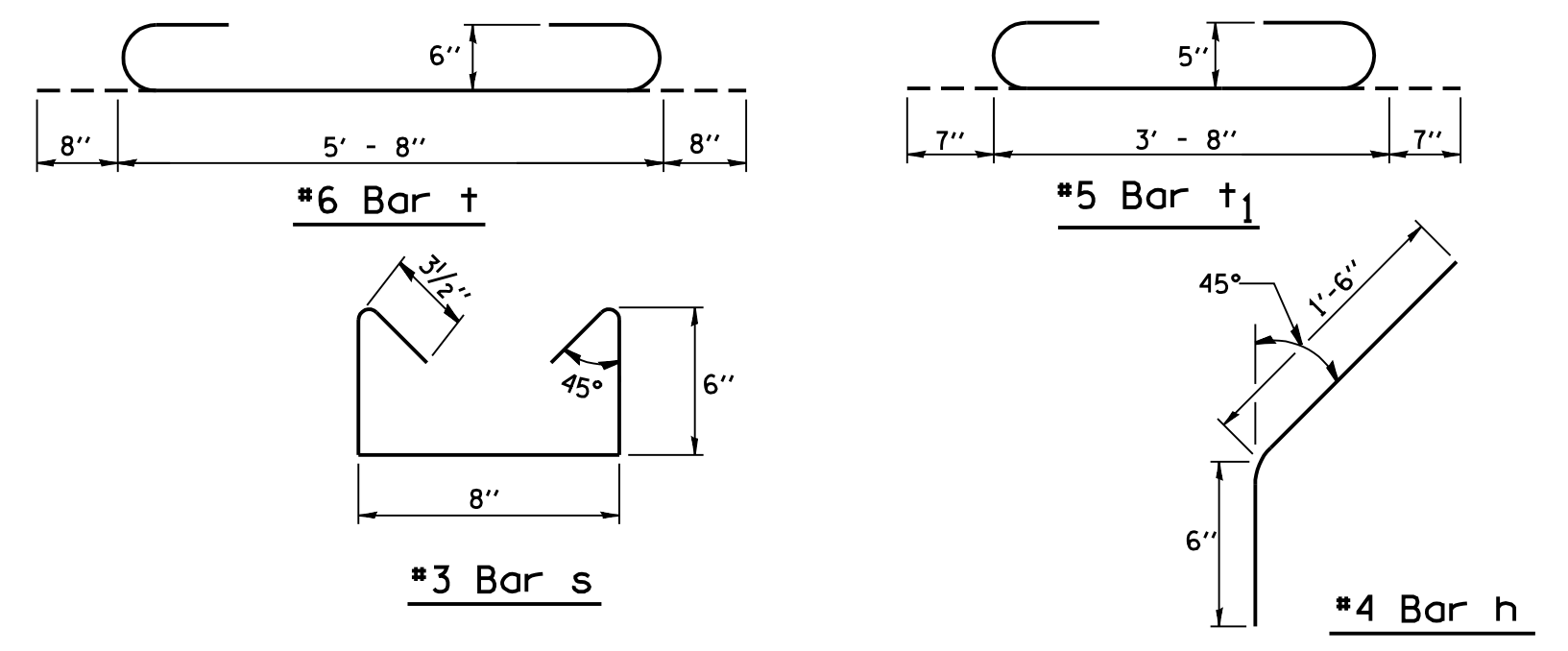
**FRONT ELEVATION**  
(DRAINAGE STRUCTURE, TYPE 8x3)  
**TYPE 21 FRAME AND GRATE**



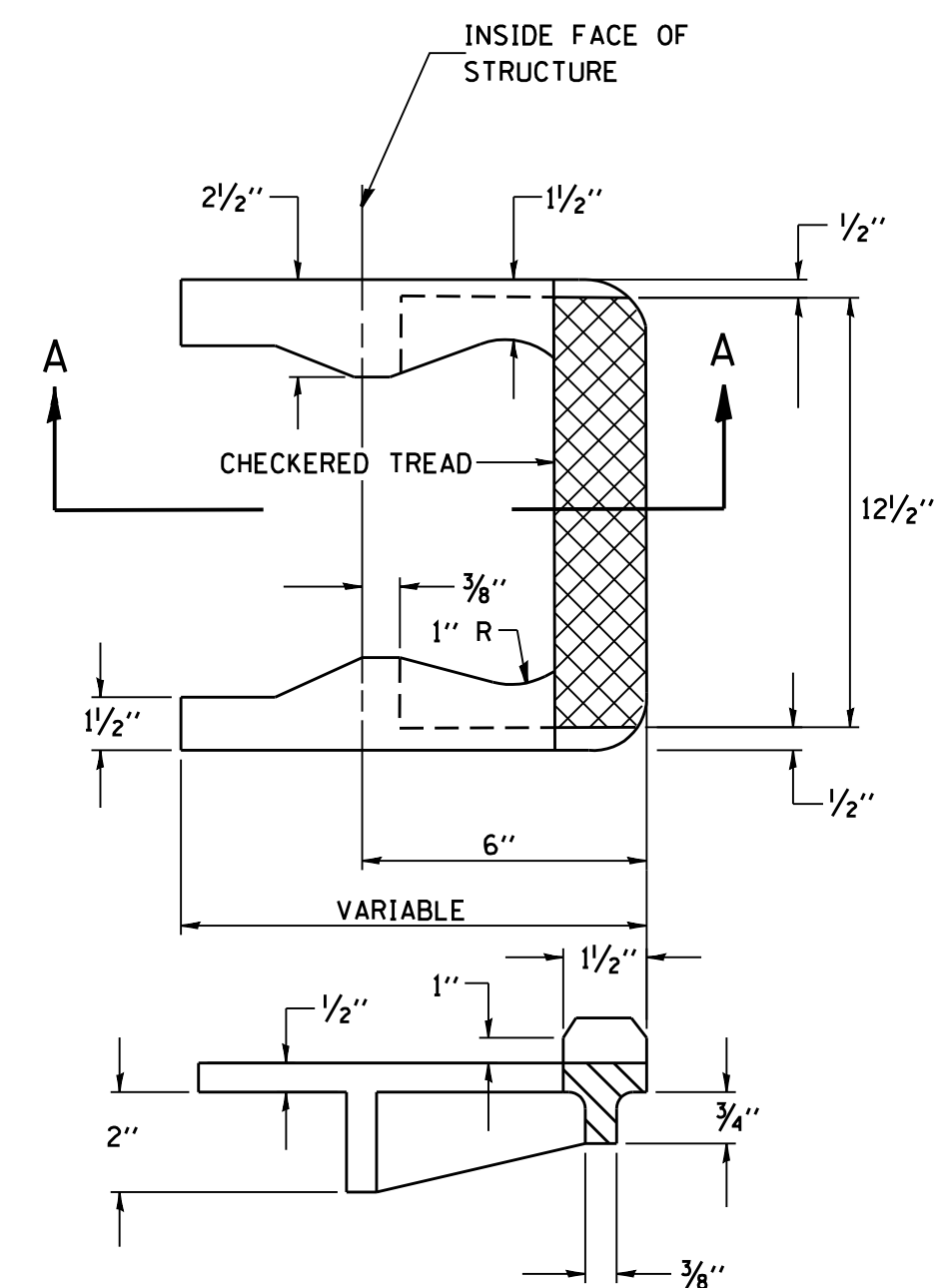
**SIDE ELEVATION**  
(DRAINAGE STRUCTURE, TYPE 8x3)



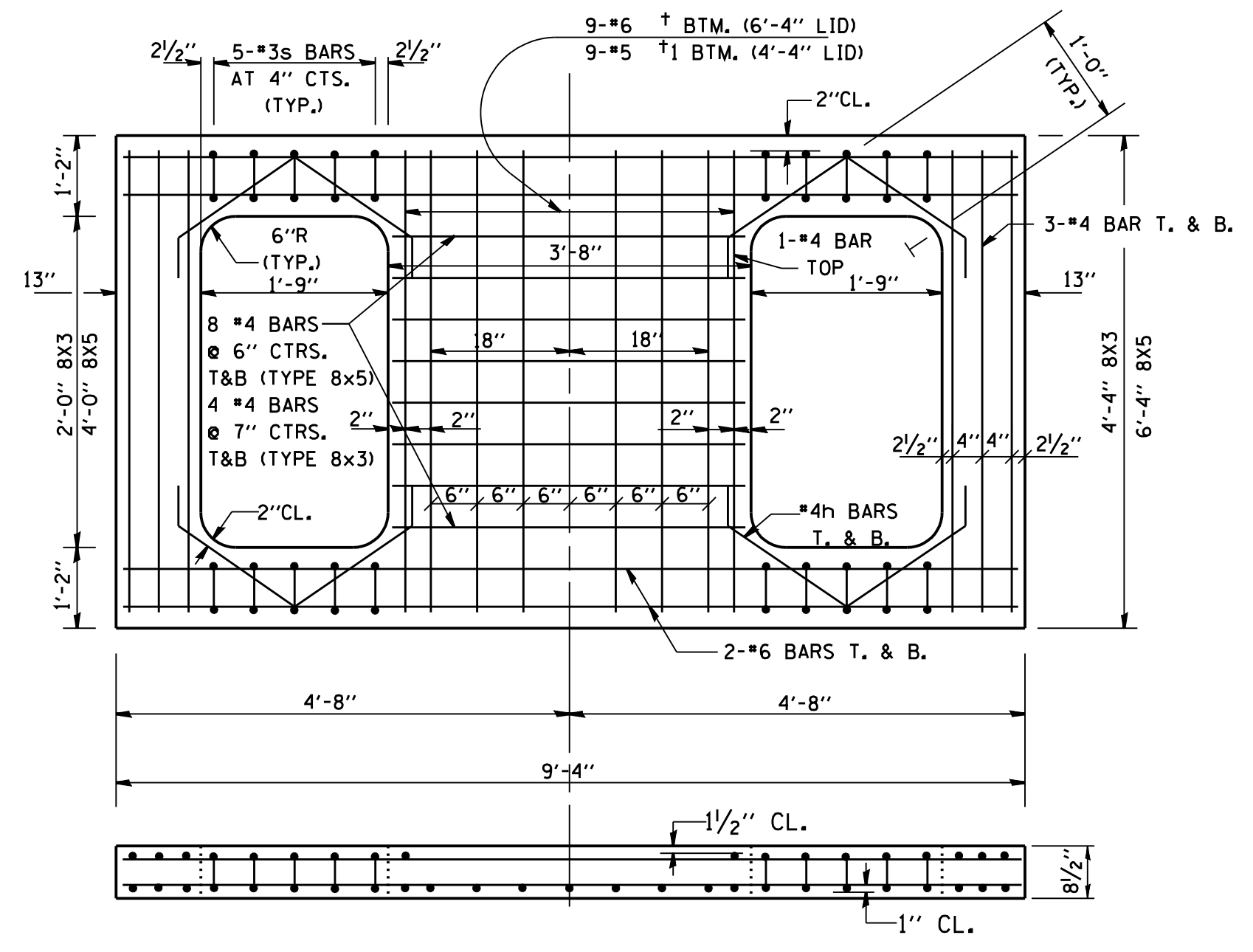
**TYPICAL REINFORCEMENT DETAIL AROUND OPENINGS**  
(OPENING > 12")



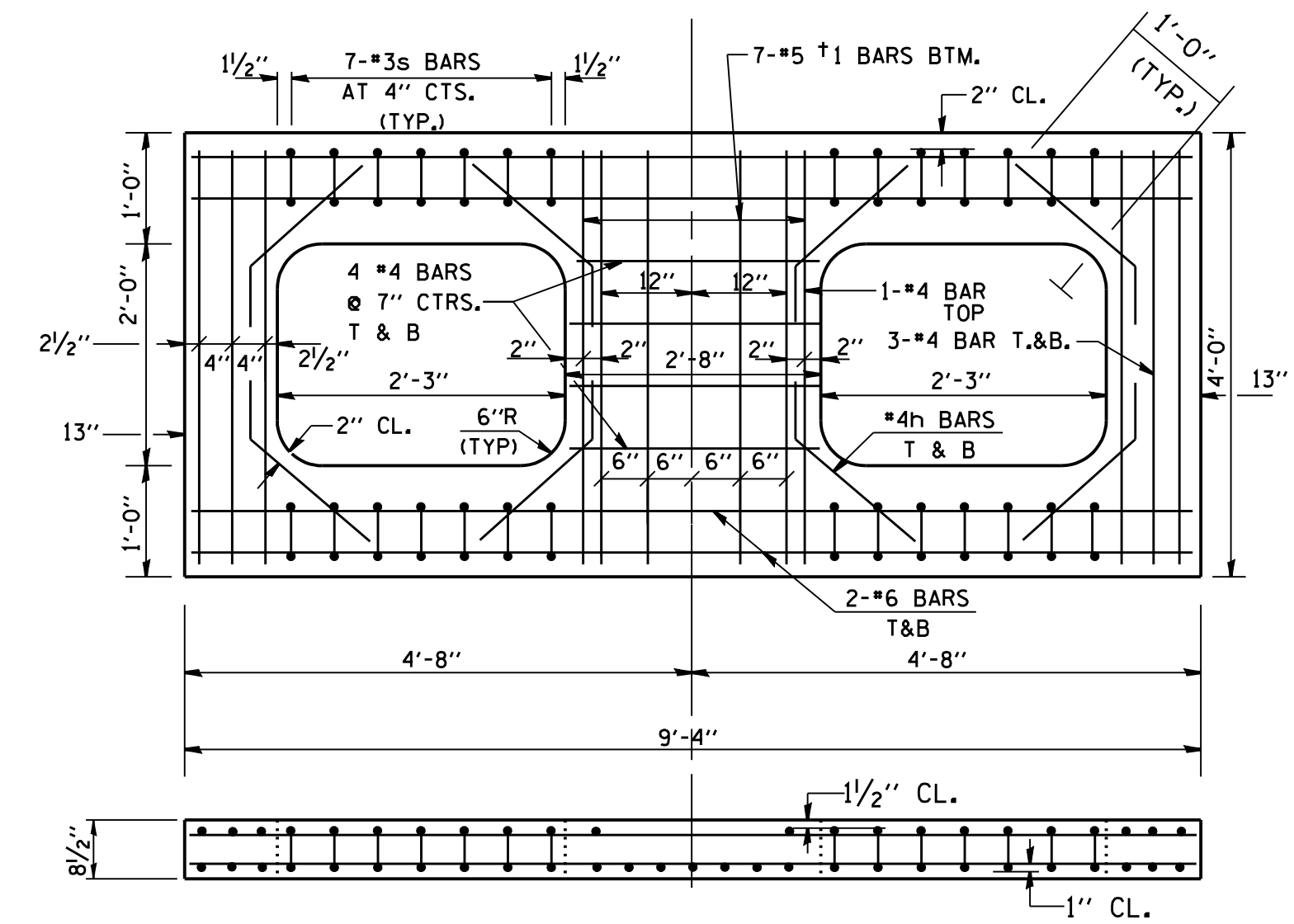
**BAR DETAILS**



**SECTION A-A**  
**CAST IRON STEPS**



**REINFORCED LID FOR**  
**DRAINAGE STRUCTURES, TYPE 8x3 & 8x5**  
**TYPE 20 & 22 FRAME AND GRATE**



**REINFORCED LID FOR**  
**DRAINAGE STRUCTURE, TYPE 8x3**  
**TYPE 21 FRAME & GRATE**  
**(FOR USE IN SAG AREAS)**