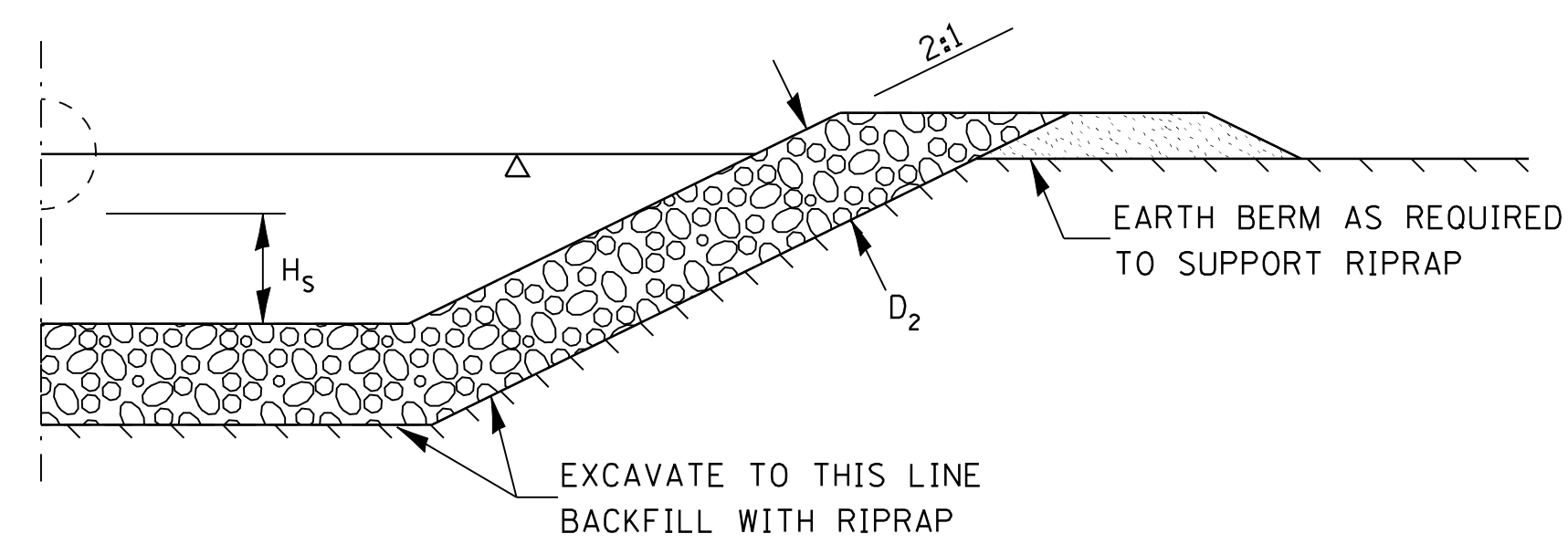


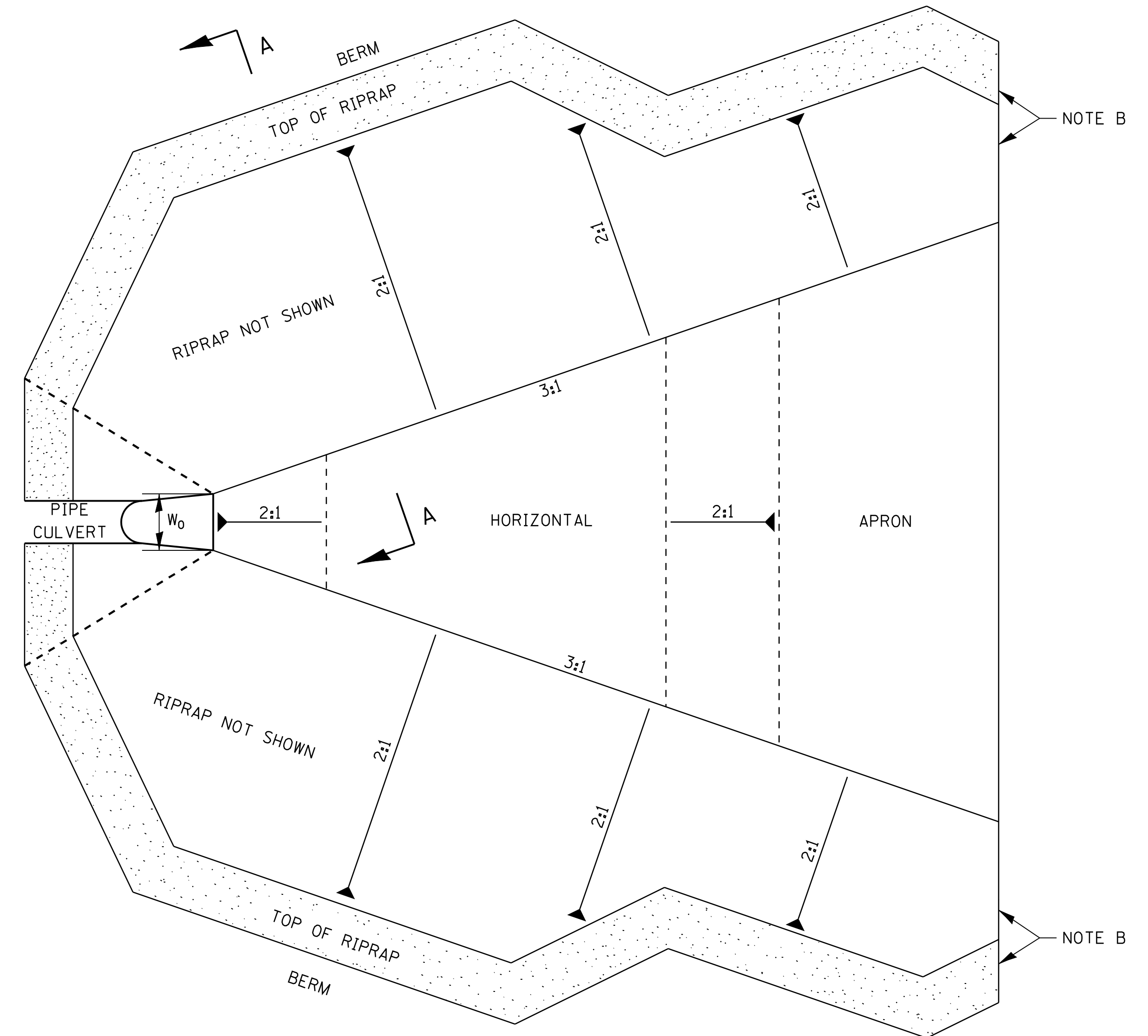
SECTION

STATION	W <sub>0</sub>	L <sub>p</sub>	L <sub>a</sub>	H <sub>s</sub>	H <sub>B</sub>	D <sub>1</sub>	D <sub>2</sub>

NOTE B: WARP BASIN TO CONFORM TO NATURAL STREAM CHANNEL.



SECTION A-A



TOP VIEW

FILE NAME =	USER NAME = corcoranlm	DESIGNED -	REVISED -
c:\pw_work\PWIDOT\CORCORANLM\dms41560\200299.dgn		DRAWN -	REVISED -
		CHECKED -	REVISED -
		DATE -	REVISED -

**STATE OF ILLINOIS  
DEPARTMENT OF TRANSPORTATION**

<b>RIPRAPPED CULVERT ENERGY BASIN</b>			
SCALE:	SHEET NO. OF SHEETS	STA. TO STA.	

F.A. RTE.	SECTION	COUNTY	TOTAL SHEETS	SHEET NO.
CONTRACT NO.				
FED. ROAD DIST. NO. ILLINOIS FED. AID PROJECT				