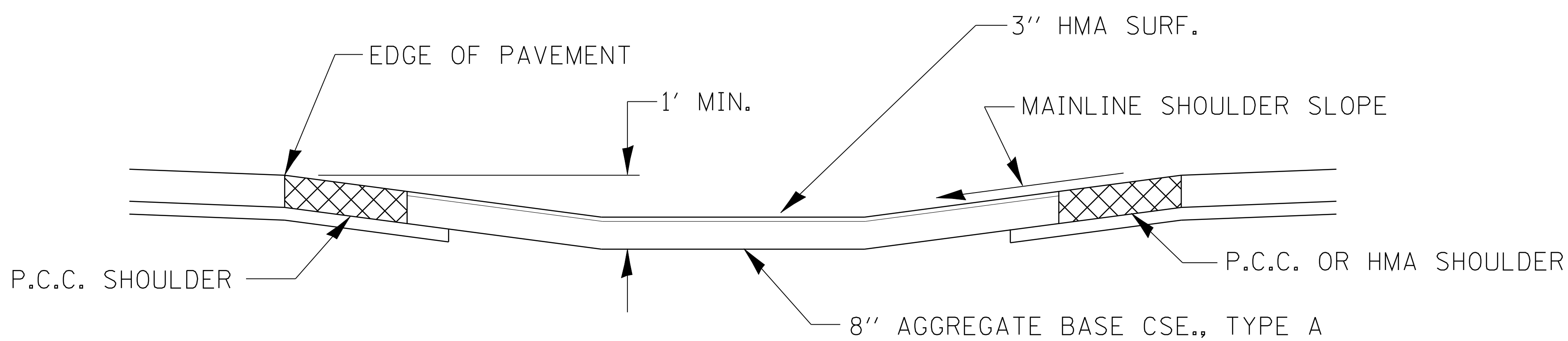


SECTION A-A



SECTION B-B

HMA MAINTENANCE CROSSOVER