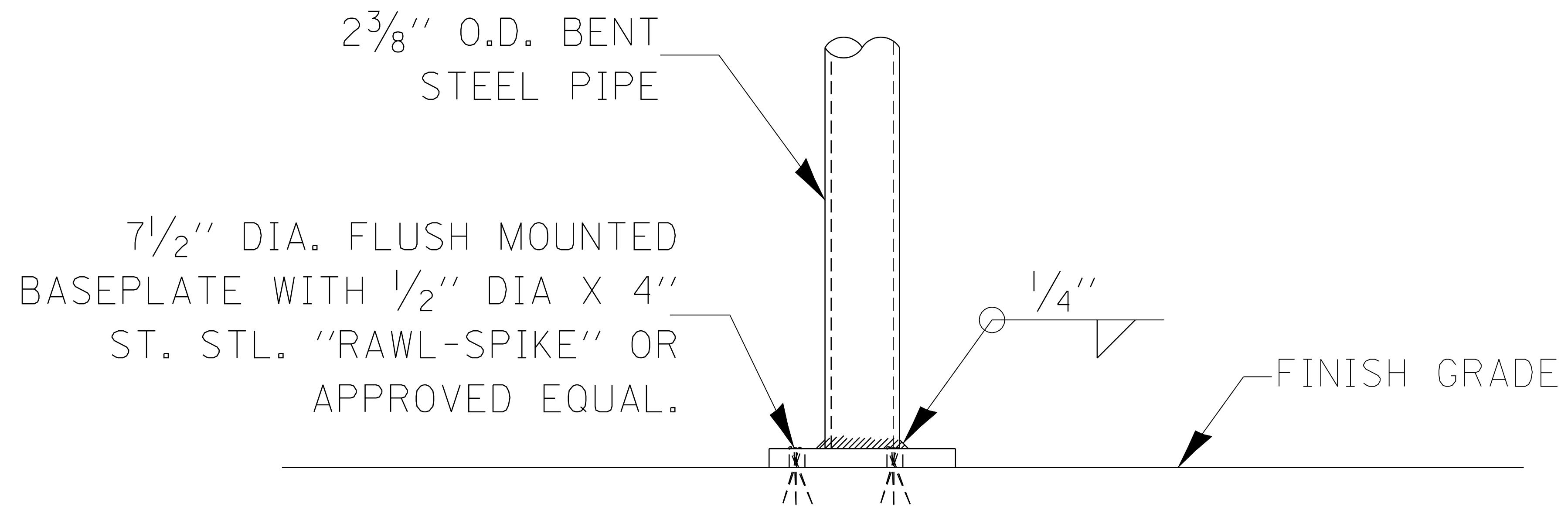
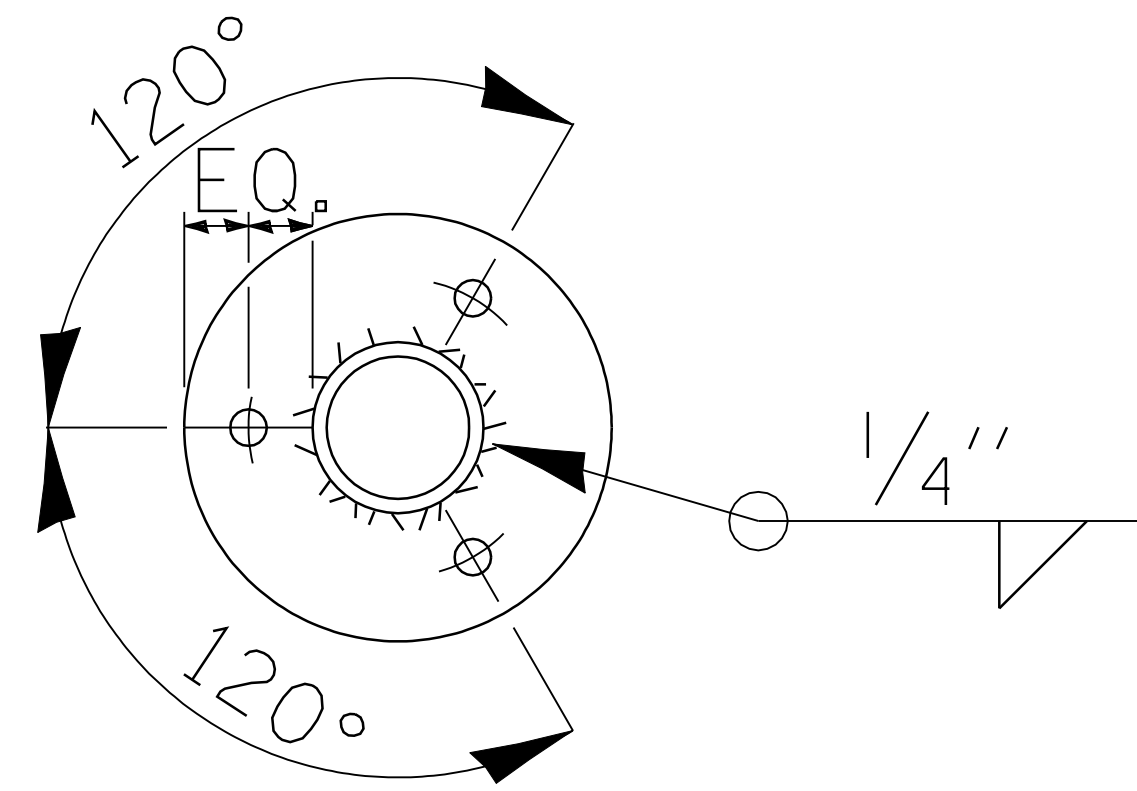


7 1/2" DIA. X 1/2" THICK BASE PLATE



SURFACE MOUNT DETAIL

424-2