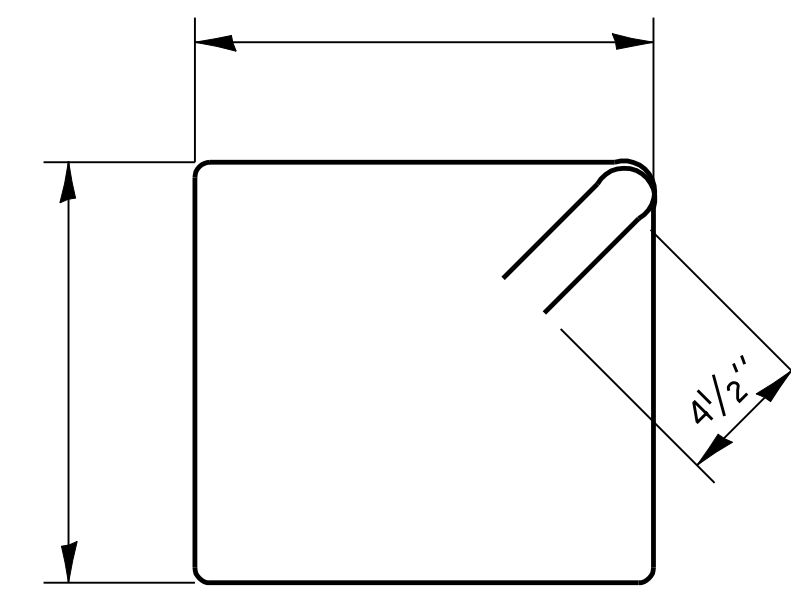
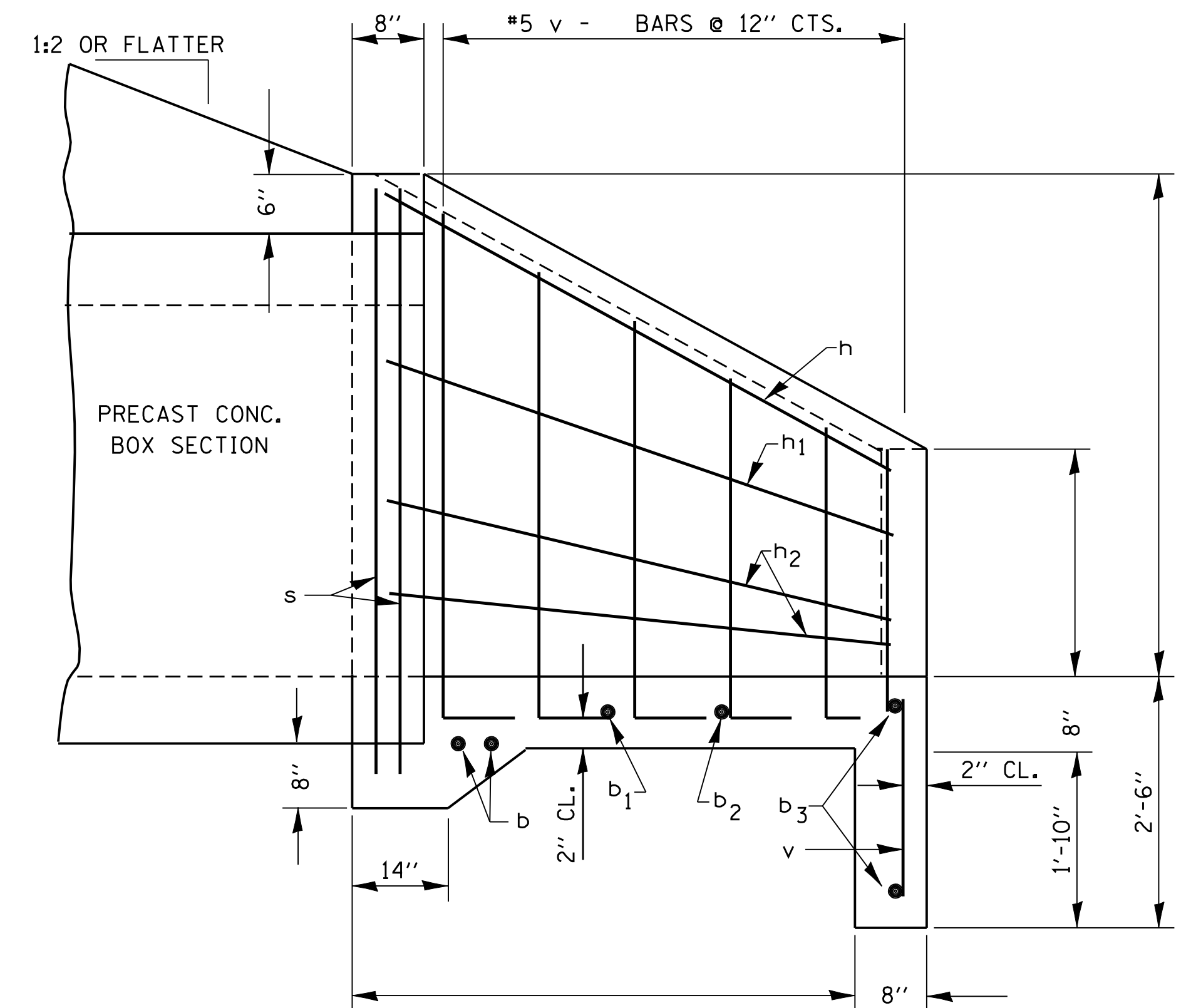


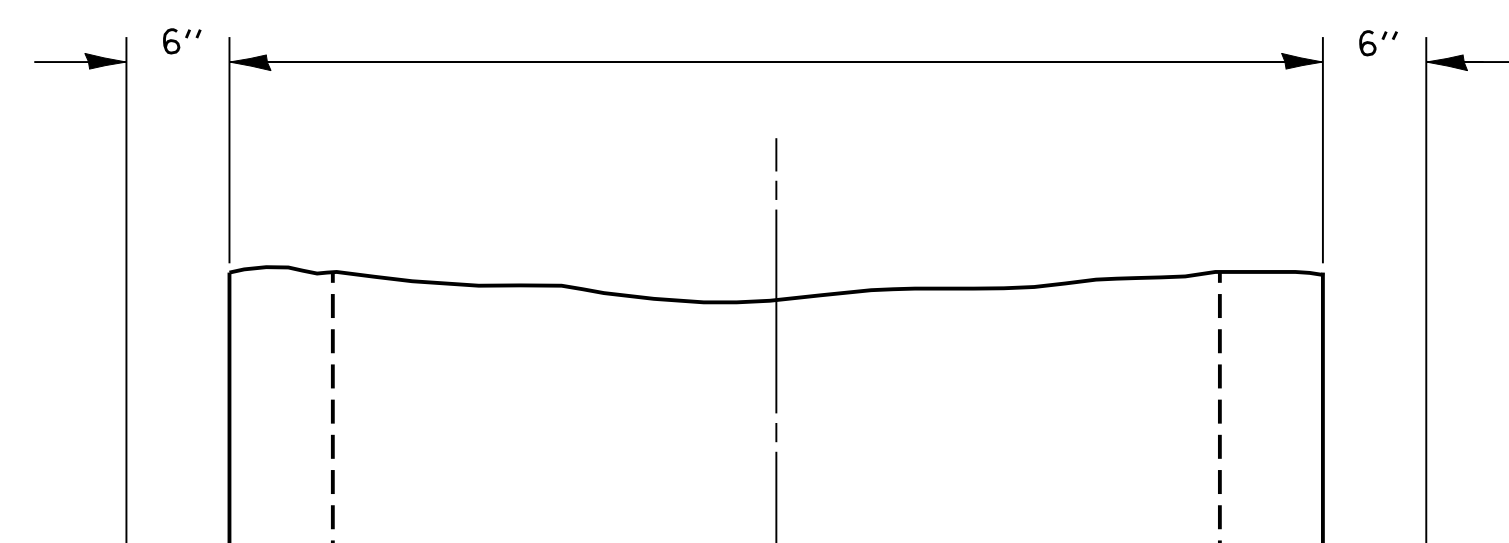
END ELEVATION



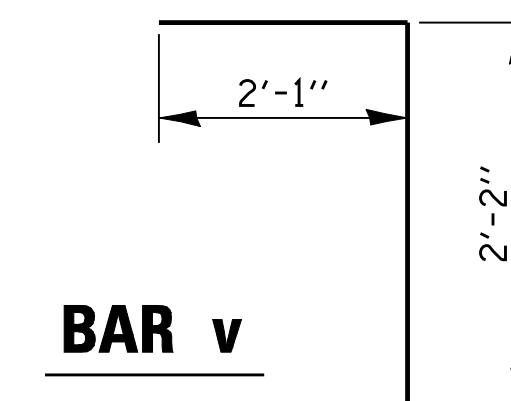
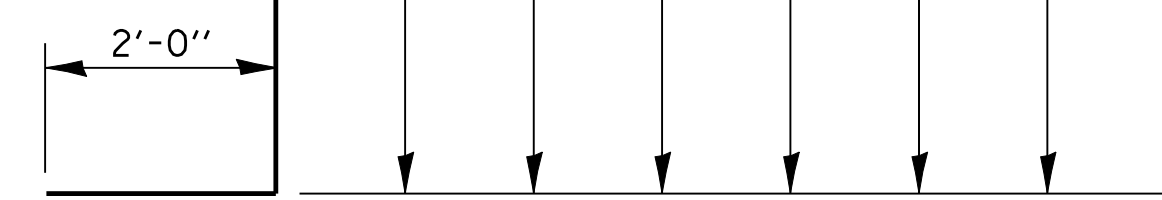
BAR s



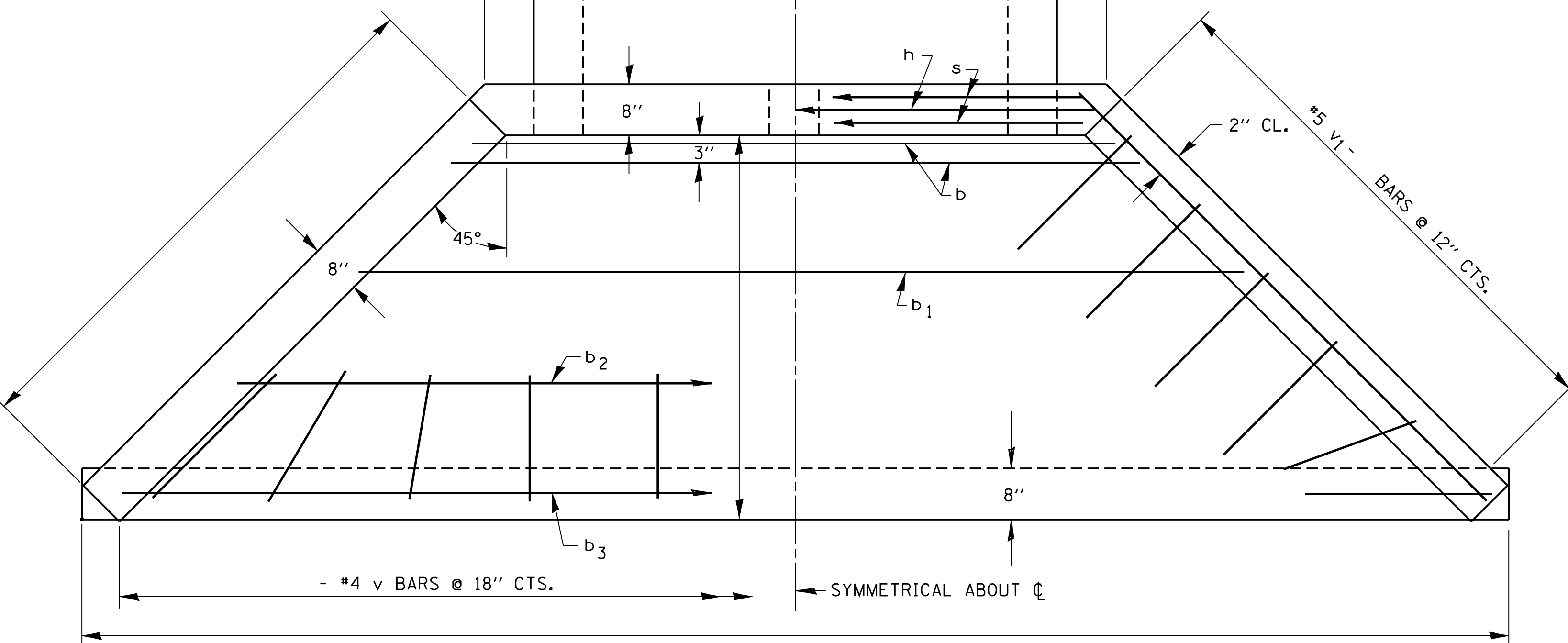
HALF SIDE ELEVATION



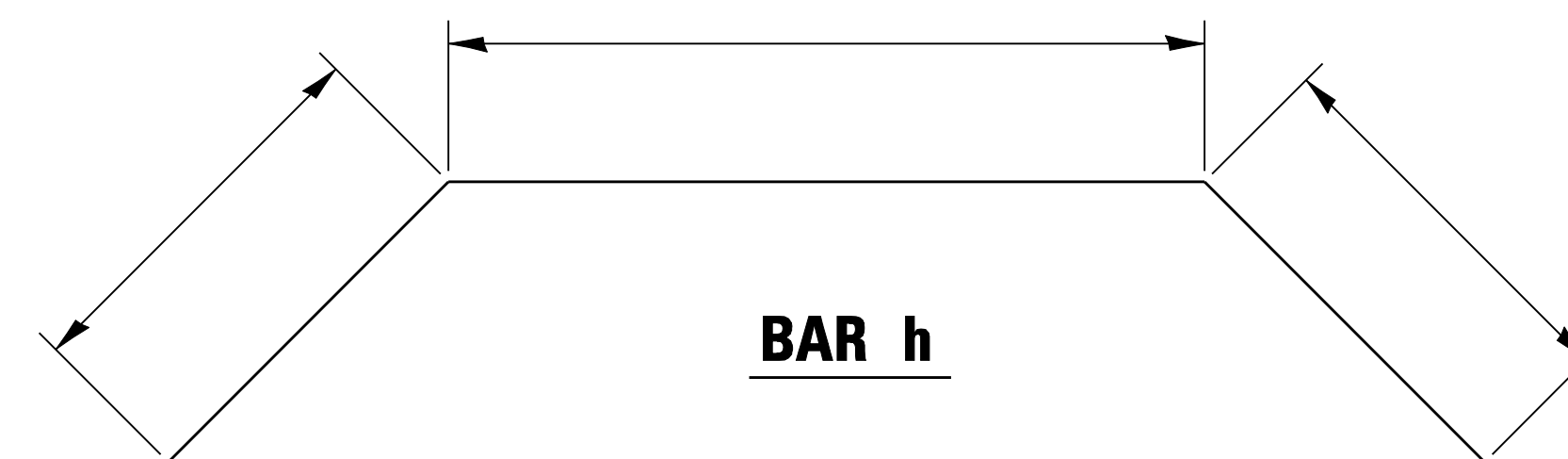
BAR v



BAR v



PLAN



BAR h

GENERAL NOTES

CLASS SI CONCRETE SHALL BE USED THROUGHOUT. EXPOSED EDGES SHALL BE BEVELED 3/4\"/>

DESIGNER NOTE:
WHEN RISE 5', V₁ TO V₇ SHALL BE EPOXY COATED

BILL OF MATERIAL				
BAR	SIZE	NO.	LENGTH	SHAPE
b	5	2		—
b ₁	4	1		—
b ₂	4	1		—
b ₃	4	2		—
h	5	1		—
h ₁	4	2		—
h ₂	4	4		—
s	4	2		—
v	4		4'-3"	—
v ₁	5	2		—
v ₂	5	2		—
v ₃	5	2		—
v ₄	5	2		—
v ₅	5	2		—
v ₆	5	2		—
v ₇	5	2		—
CONCRETE HEADWALLS		C.Y.		
REINFORCEMENT BARS		LBS.		
REIN. BARS (EPOXY CTD.)		LBS.		

TABLE FOR ONE (1) HEADWALL