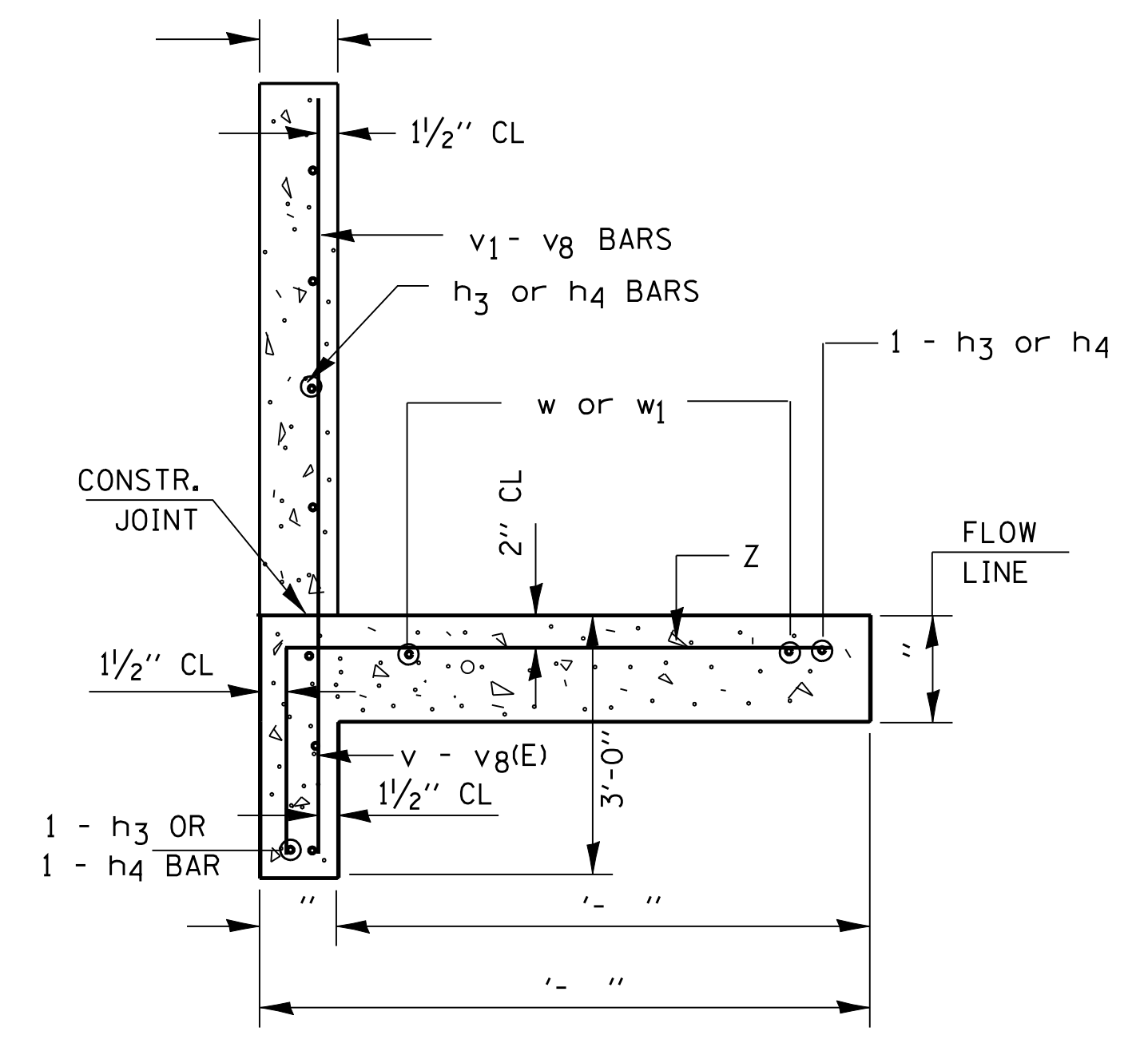
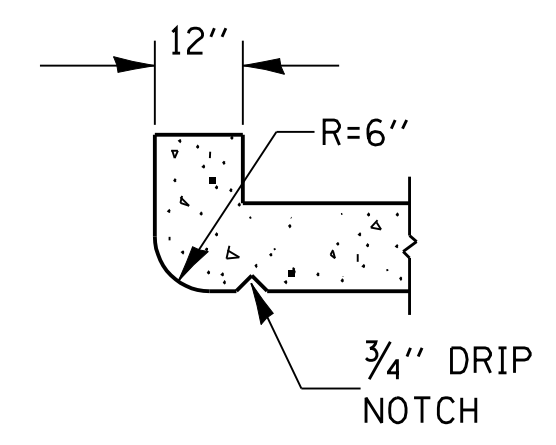


CORNER DETAIL

SECTION THRU HEADWALL
(UP STREAM END ONLY)

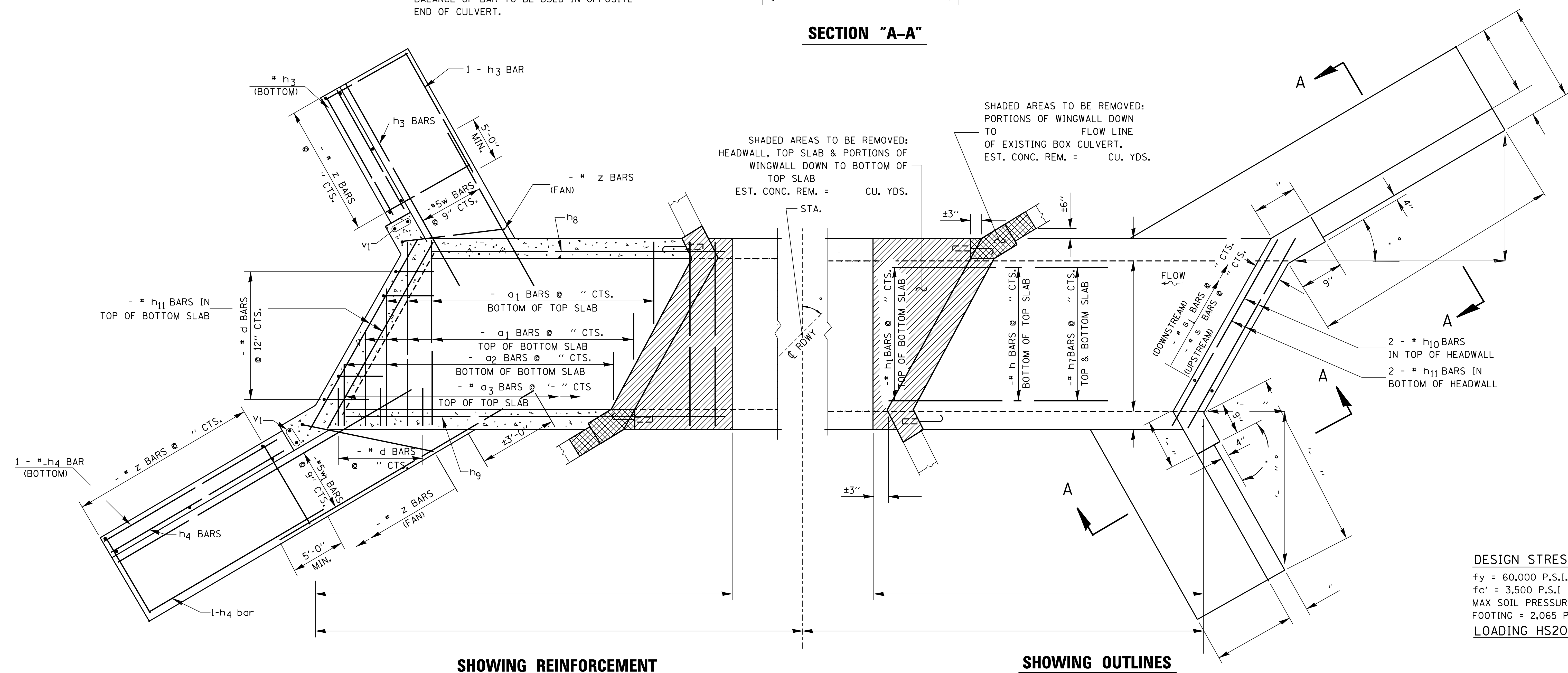
NOTE:
α BARS IN SKEW PORTION OF SLAB SHALL BE ORDERED FULL LENGTH & CUT TO FIT. BALANCE OF BAR TO BE USED IN OPPOSITE END OF CULVERT.



SECTION "A-A"

GENERAL NOTES

CLASS SI CONCRETE SHALL BE USED THROUGHOUT.
EXPOSED EDGES SHALL BE BEVELED 3/4".
FOR BACKFILLING AND EMBANKMENTS SEE STANDARD SPECIFICATIONS.
REINFORCEMENT BARS SHALL CONFORM TO THE REQUIREMENTS OF AASHTO M-31, M-43, OR M-53, GRADE 60.
NONMETALLIC WATER SEAL USED IN WINGWALL JOINTS SHALL EXTEND FROM THE TOP OF THE FOOTING TO WITHIN 6" OF THE TOP OF THE HEADWALL.
BARS INDICATED THUS 12x4-#5 ECT. INDICATES 12 LINES OF BARS WITH 4 LENGTHS PER LINE.



SHOWING REINFORCEMENT

PLAN

SHOWING OUTLINES

DESIGN STRESSES
fy = 60,000 P.S.I.
fc' = 3,500 P.S.I.
MAX SOIL PRESSURE UNDER FOOTING = 2,065 P.S.F.
LOADING HS20-44