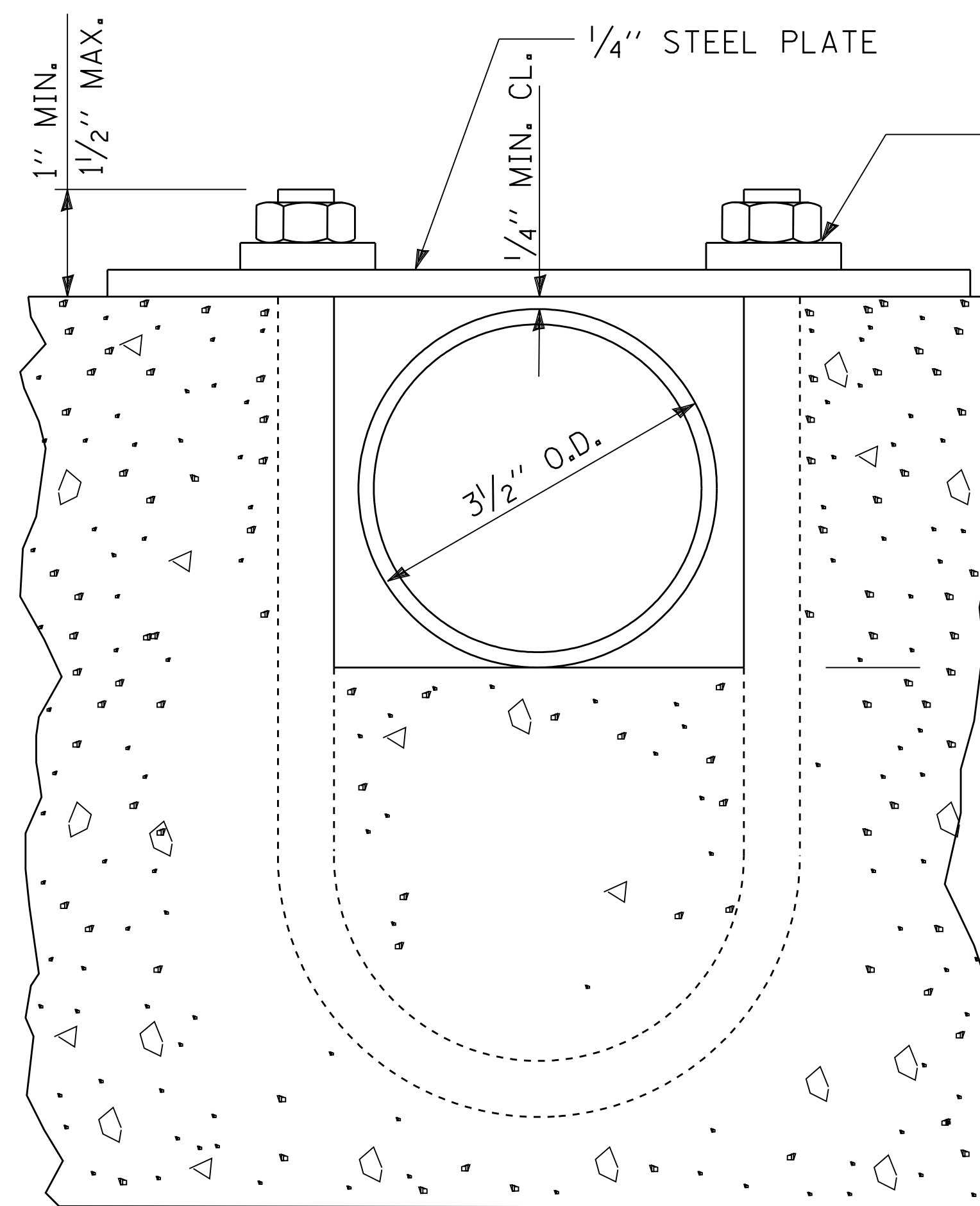
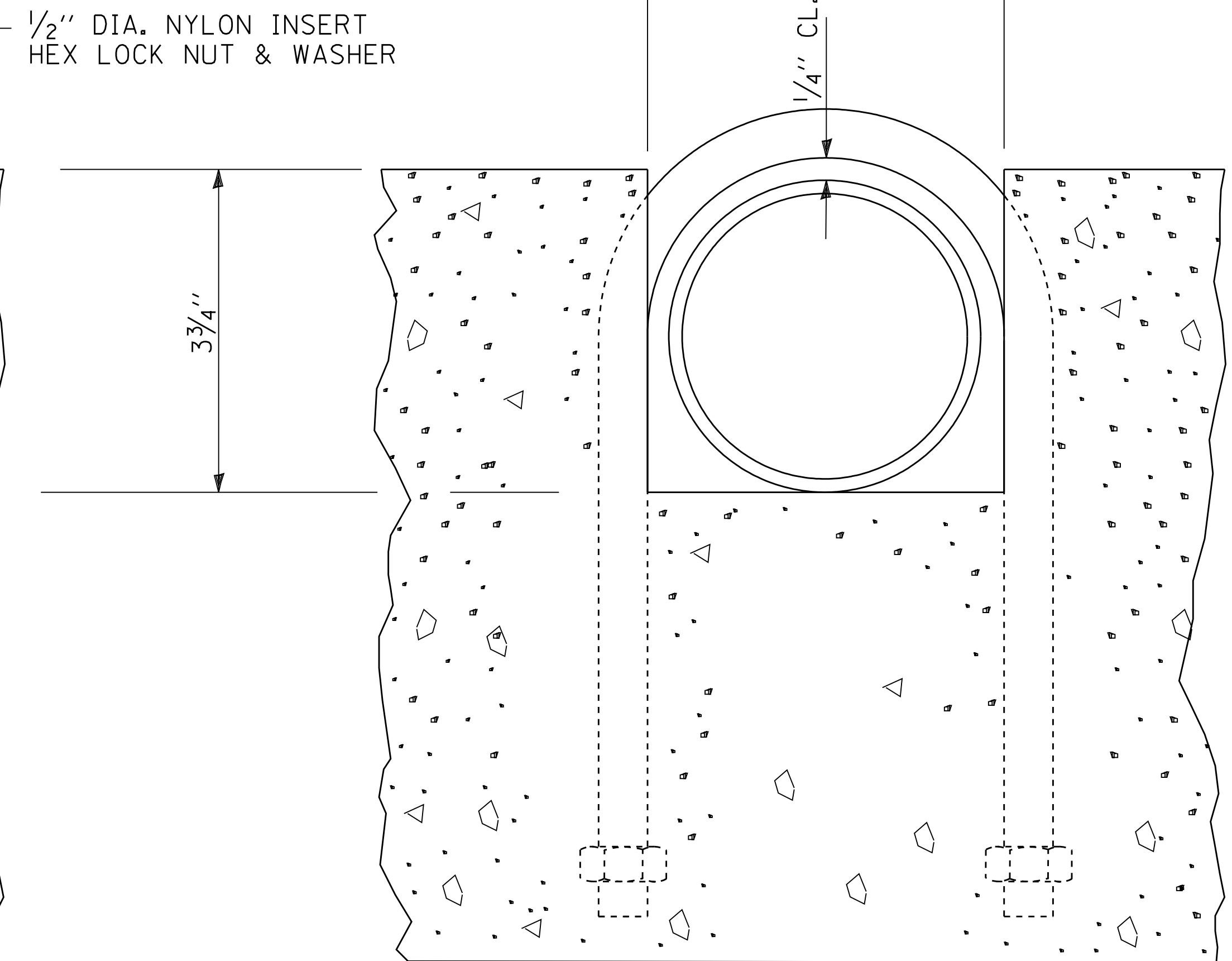


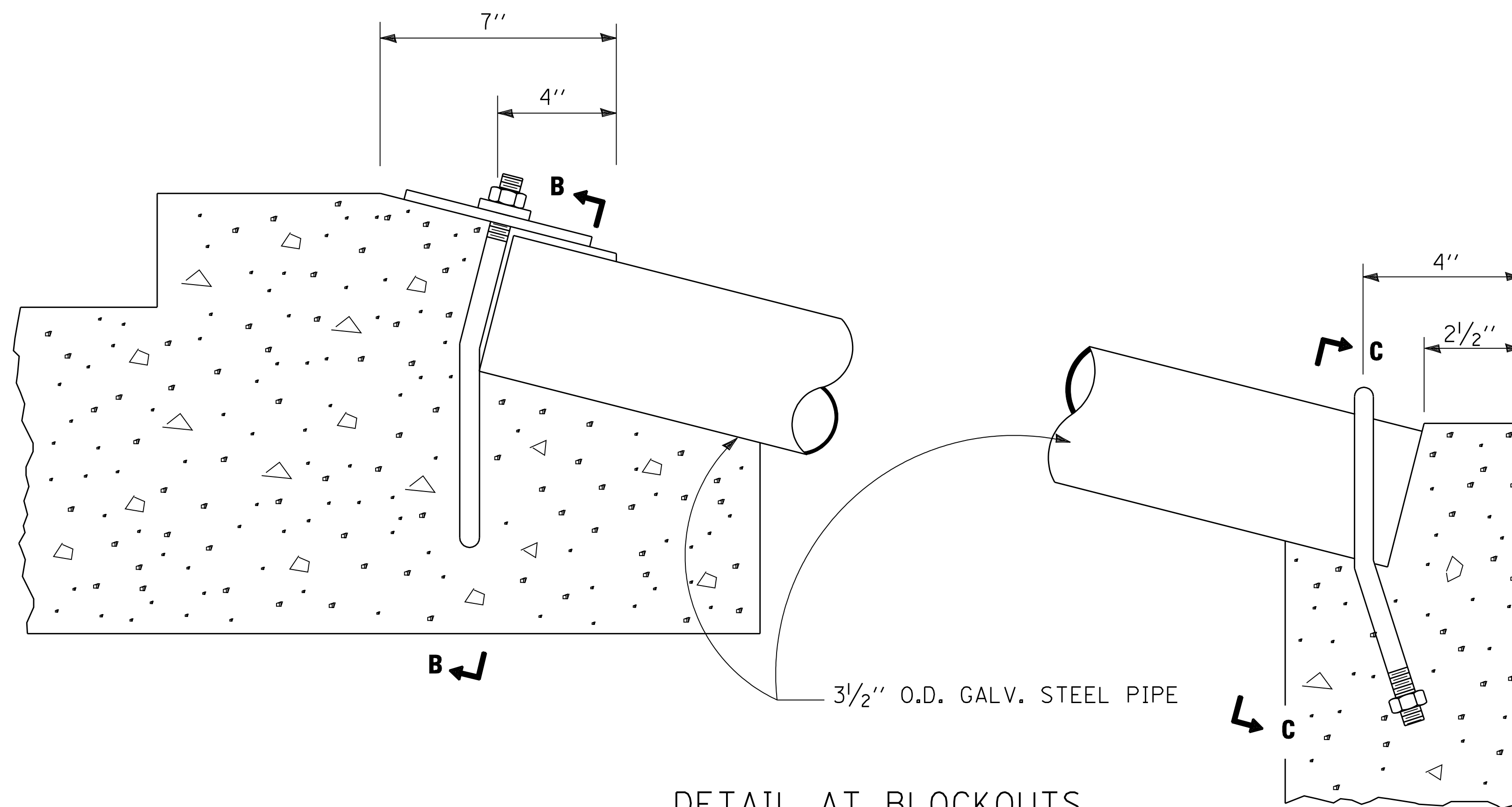
TOP ANCHOR PLATE
(1 - required)



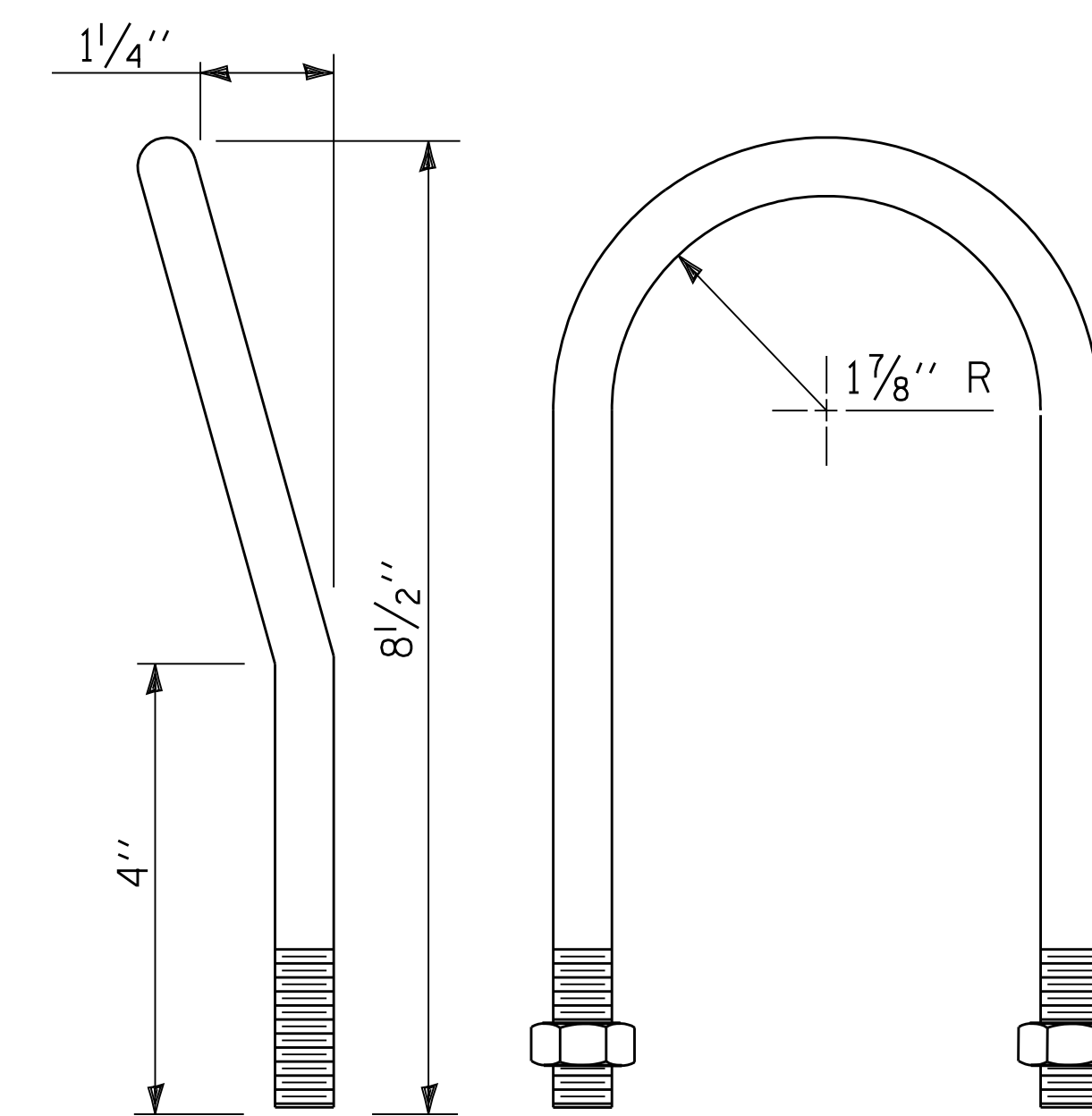
SECTION B-B



SECTION C-C



DETAIL AT BLOCKOUTS



1/2" DIA. U BOLT
(2 - required)