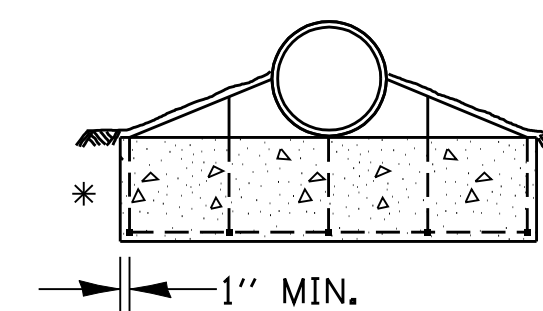
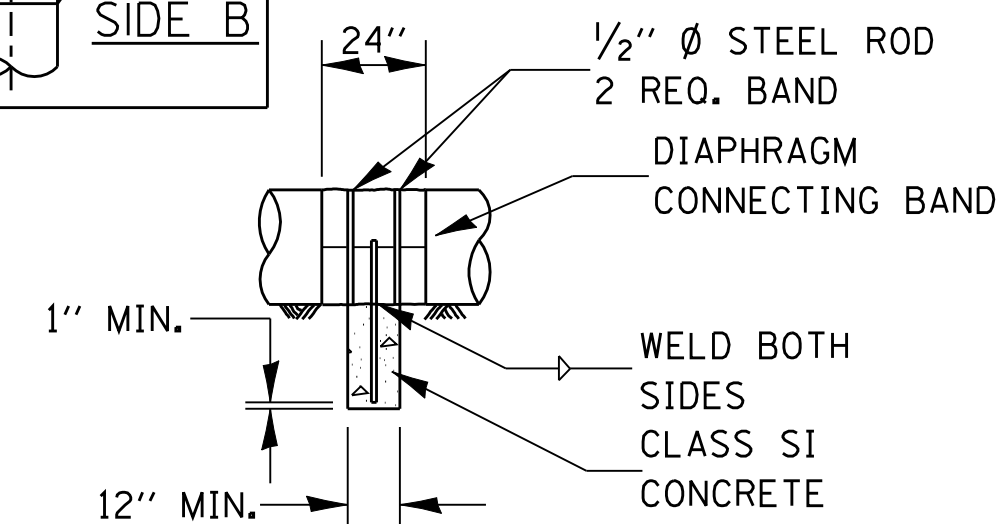


* FOR SIZE SEE SEEPAGE COLLAR DETAIL



SEEPAGE COLLAR FOR EXPOSED PIPE



NOTE:
SEEPAGE COLLAR FOR BURIED PIPE AND/OR SEEPAGE COLLAR FOR EXPOSED PIPE SHALL BE PAID FOR AT CONTRACT UNIT PRICE PER EACH AND SHALL INCLUDE ALL EXCAVATION, CLASS SI CONCRETE, ANCHORS, CONNECTING BANDS, AND COMPACTED BACKFILLING NECESSARY FOR COMPLETE INSTALLATION.

CLASS SI CONCRETE SHALL BE USED FOR THE CONCRETE OUTLET.

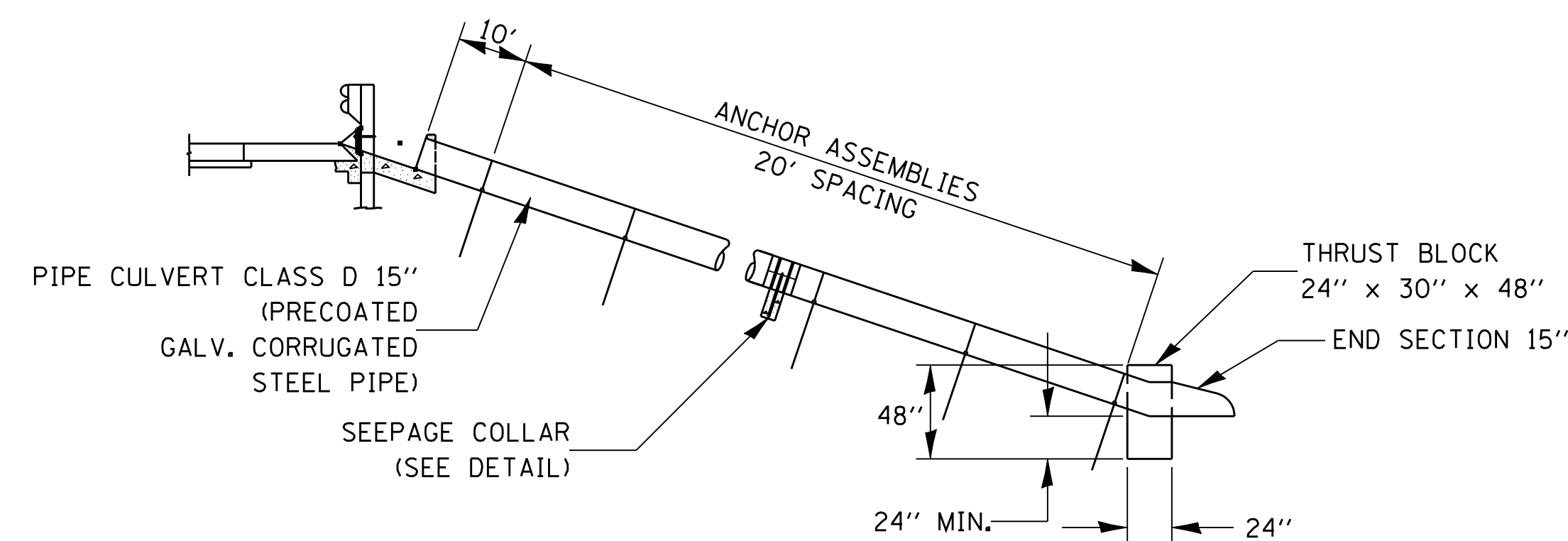
PAVEMENT FABRIC SHALL CONFORM TO ARTICLE 1006.10.

CONCRETE OUTLET SHALL BE INSTALLED AND PAID FOR PER EACH FOR CONCRETE OUTLET WHICH PRICE SHALL ALSO INCLUDE GALVANIZED ANCHOR BOLTS, PAVEMENT FABRIC AND ANY OTHER MATERIALS NECESSARY TO COMPLETE THIS WORK.

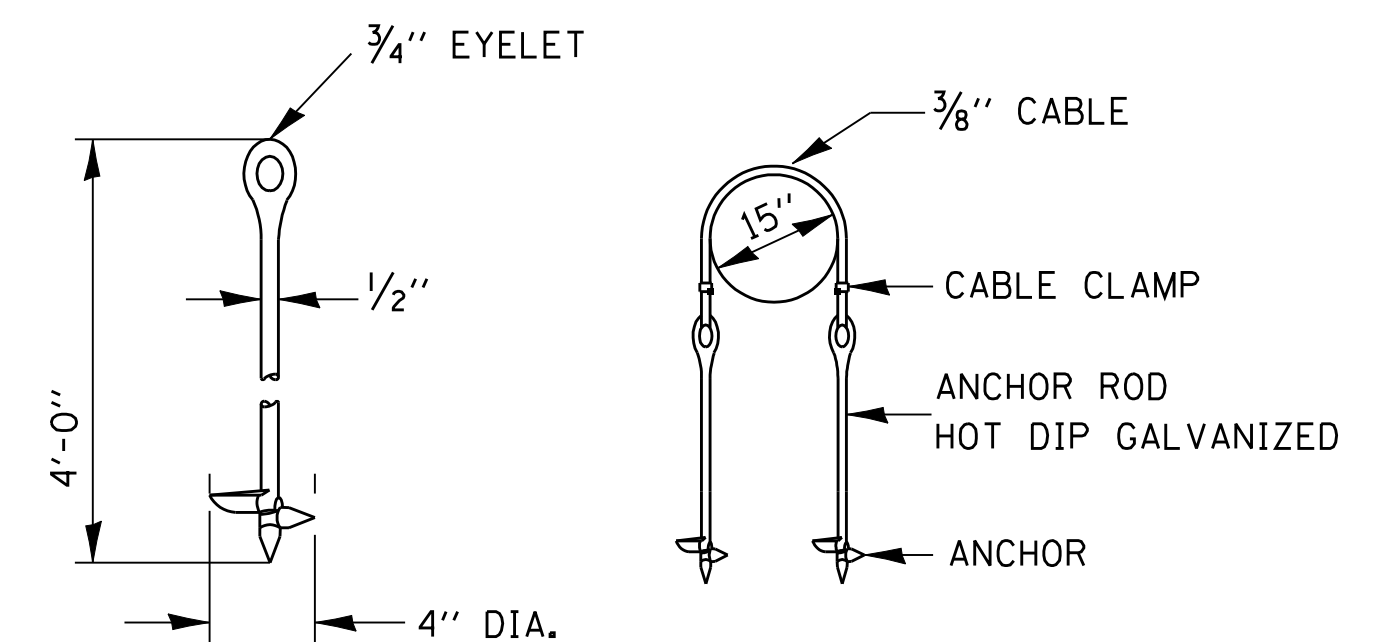
NOTE:
PIPE CULVERT SHALL BE INSTALLED, MEASURED, AND PAID FOR IN ACCORDANCE WITH SECTION 542 OF THE STANDARD SPECIFICATIONS. ALL CONNECTING BANDS SHALL HAVE A MINIMUM WIDTH OF 24" AND IT SHALL BE PRECOATED. THE UNIT PRICE SHALL ALSO INCLUDE ANCHOR ASSEMBLIES.

THE MATERIAL FOR PIPE CULVERT CLASS D 15" SHALL BE PRECOATED GALVANIZED CORRUGATED STEEL PIPE. AN APPROVED MASTIC JOINT SEALER SHALL BE APPLIED TO THE INSIDE OF THE CONNECTING BAND.

THE CONCRETE THRUST BLOCK IS TO BE PAID FOR AT THE CONTRACT UNIT PRICE EACH FOR CONCRETE THRUST BLOCK.



SEEPAGE COLLAR SPACING	
< 24" Ø PIPE	= 100' SPACING OR MIDPOINT
≥ 24" Ø PIPE	= 80' SPACING OR MIDPOINT



ANCHOR DETAIL

END VIEW

ANCHOR ASSEMBLIES DETAIL