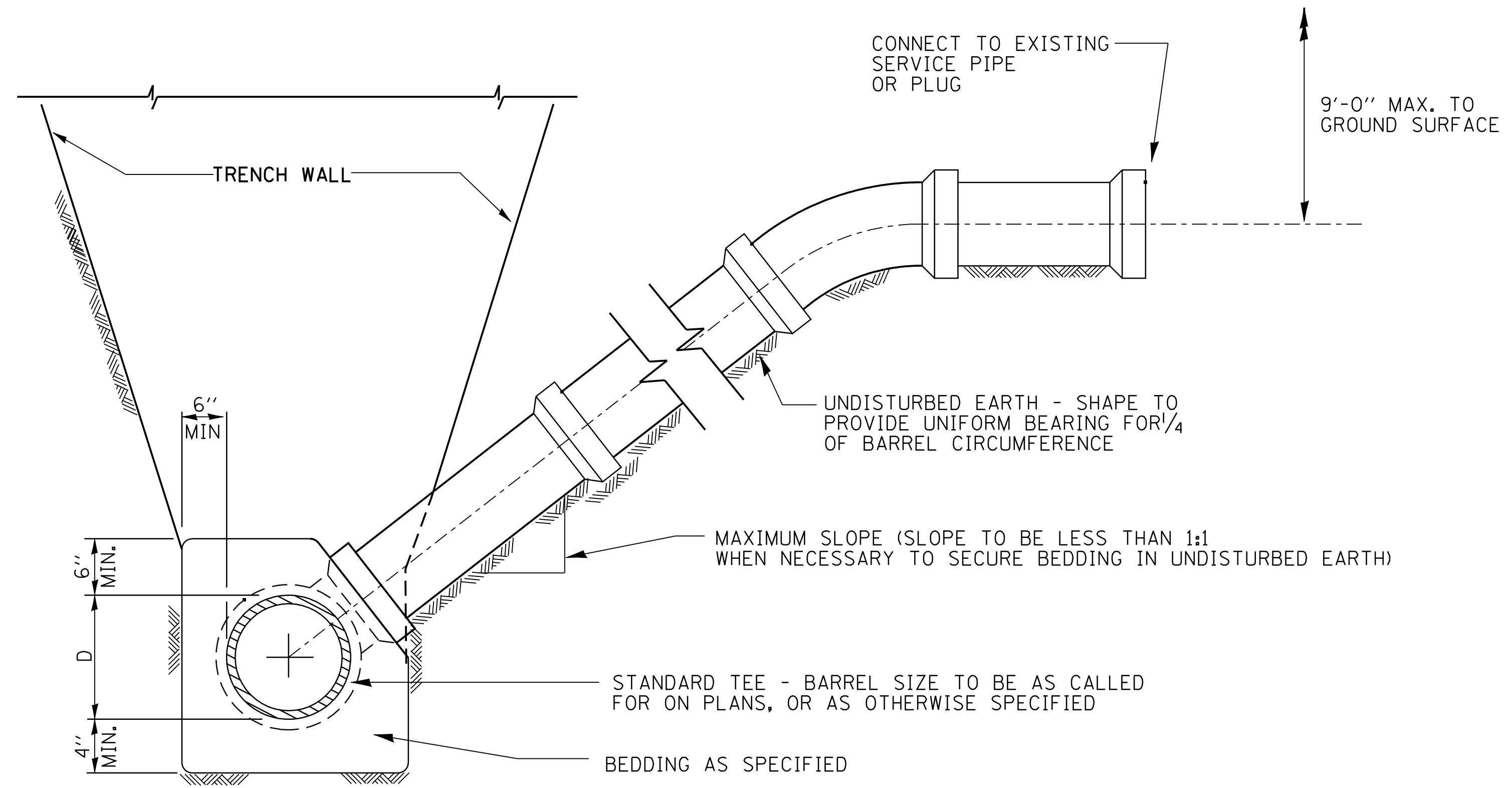


**PLAN**

NOTE: RISERS TO BE CONSTRUCTED IN LIEU OF WYES WHERE SEWER DEPTH EXCEEDS 12'-0". FOR PIPE MATERIAL AND CONCRETE SEE SPECIFICATIONS

**563-1**

**TYPICAL RISER FOR SERVICE LATERAL**



**SECTION A-A**

CONNECT TO EXISTING SERVICE PIPE OR PLUG

9'-0" MAX. TO GROUND SURFACE

TRENCH WALL

6" MIN.

6" MIN.

4" MIN.

D

UNDISTURBED EARTH - SHAPE TO PROVIDE UNIFORM BEARING FOR 1/4 OF BARREL CIRCUMFERENCE

MAXIMUM SLOPE (SLOPE TO BE LESS THAN 1:1 WHEN NECESSARY TO SECURE BEDDING IN UNDISTURBED EARTH)

STANDARD TEE - BARREL SIZE TO BE AS CALLED FOR ON PLANS, OR AS OTHERWISE SPECIFIED

BEDDING AS SPECIFIED