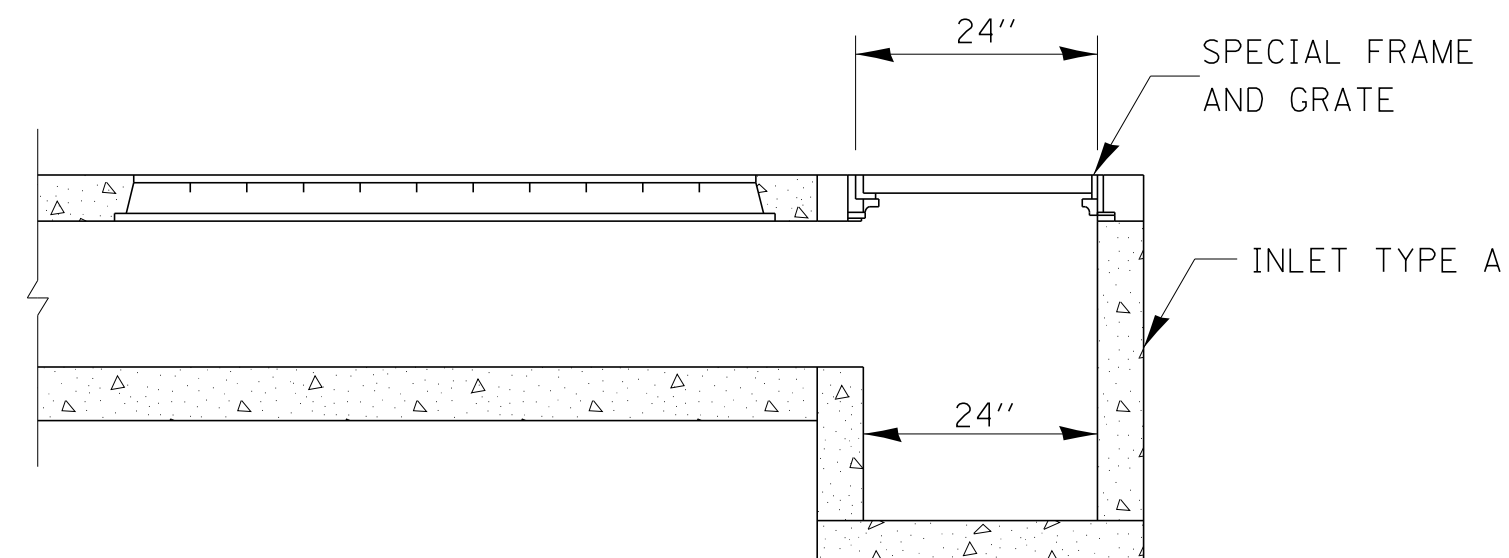
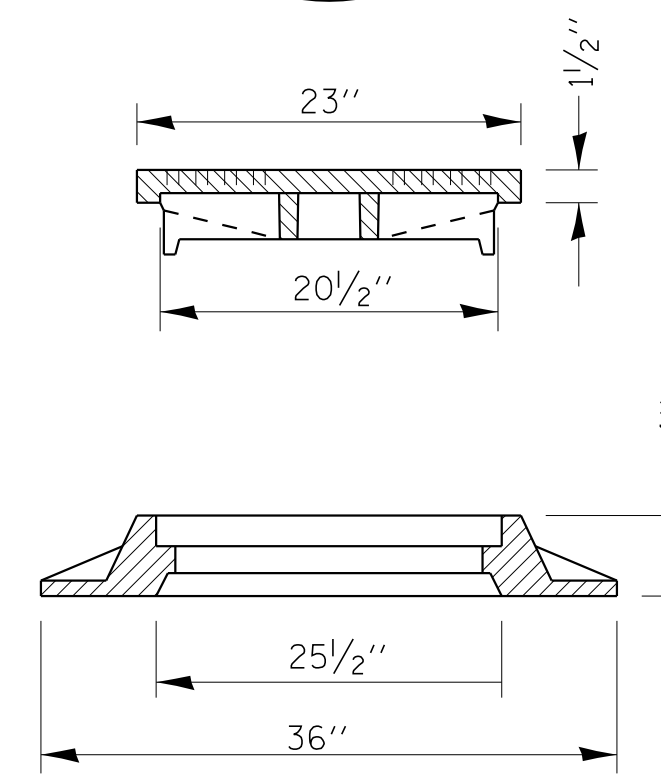
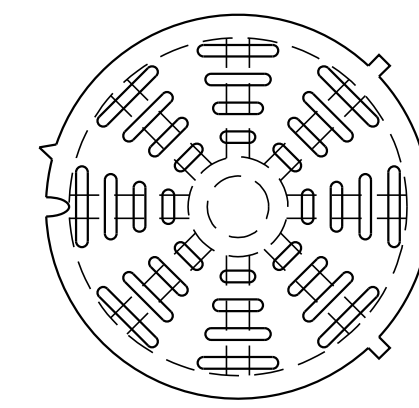


SECTION B-B

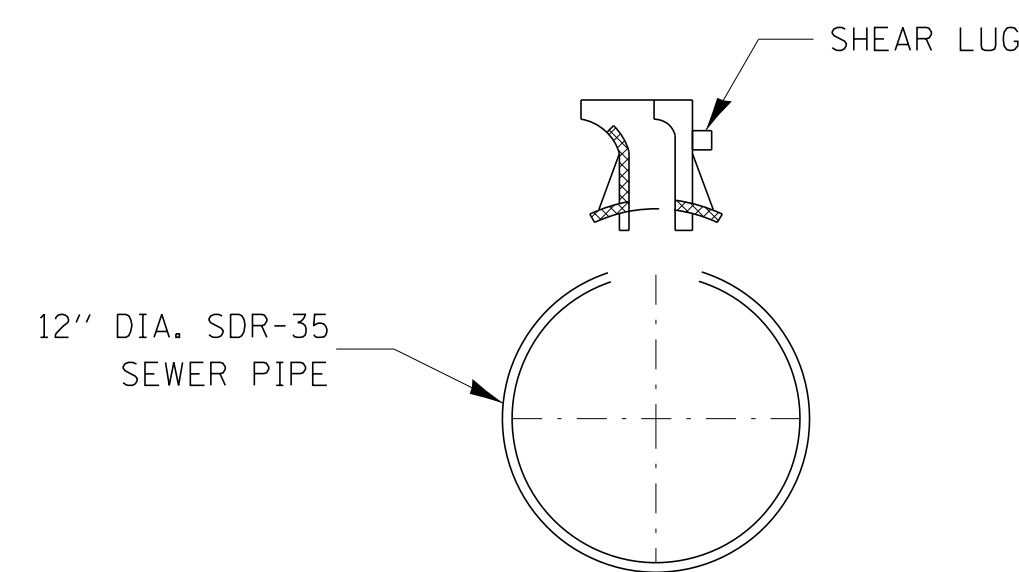


SIDE VIEW

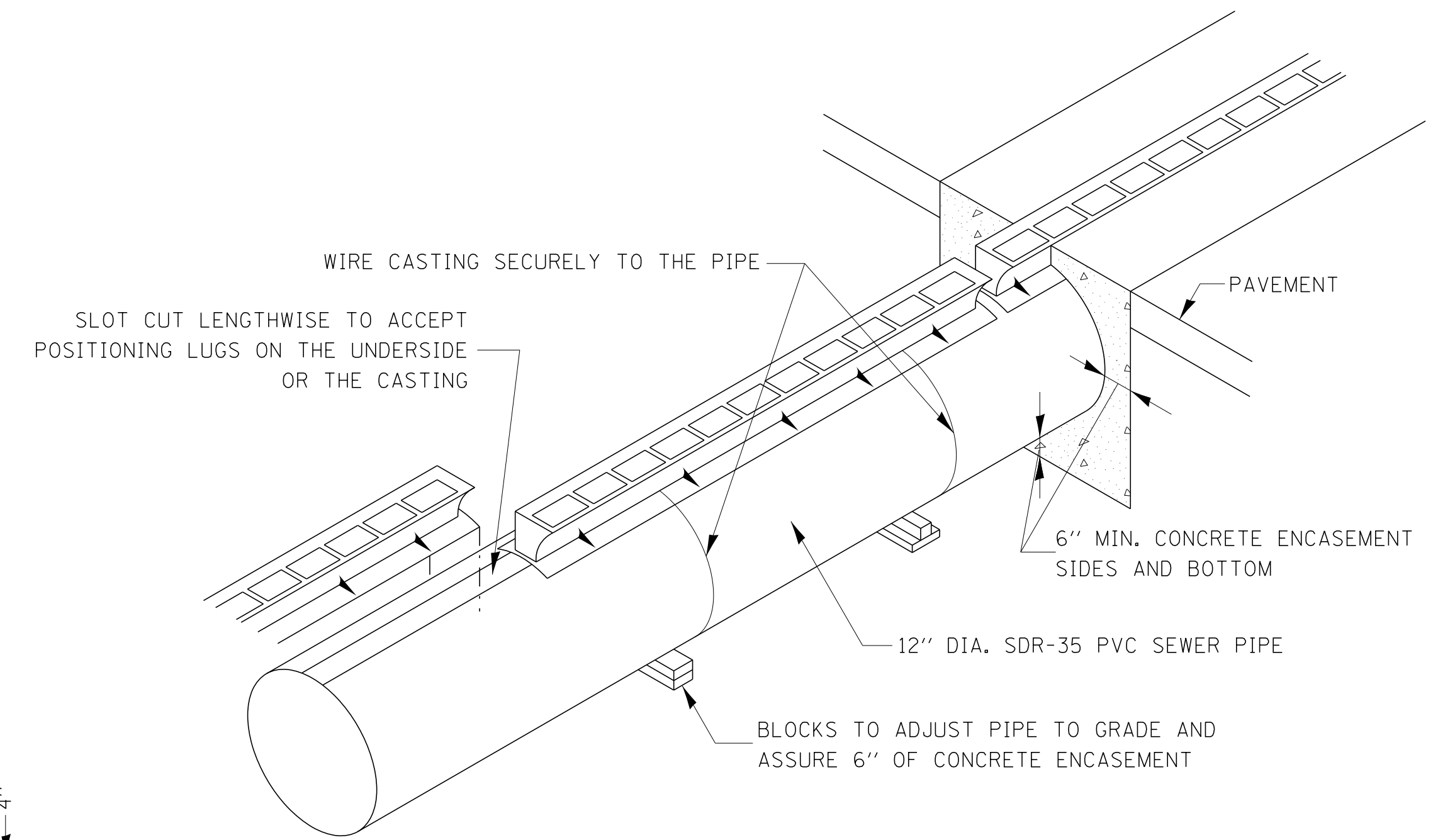
SPECIAL FRAME AND GRATE



TOTAL WEIGHT 285 LBS.



SECTION A-A



GENERAL NOTES:

CLASS SI CONCRETE SHALL BE USED THROUGHOUT.

THE CONTRACT UNIT PRICE PER FOOT FOR SLOTTED DRAIN 12" WITH 6" SLOT SHALL INCLUDE THE GRATE, CLASS SI CONCRETE, SDR-35 PVC 12" SEWER PIPE, BLOCKS, WIRE AND EXCAVATION.

THE INLET TYPE A TO BE IN ACCORDANCE WITH STANDARD 602301.

THE CONTRACT UNIT PRICE EACH FOR INLETS, TYPE A, WITH SPECIAL FRAME, OPEN LID SHALL INCLUDE A TYPE A INLET AND THE SPECIAL FRAME AND GRATE DETAILED ABOVE.

601-3

FILE NAME = \$FILEL\$	USER NAME = \$USER\$	DESIGNED -	REVISED -	STATE OF ILLINOIS DEPARTMENT OF TRANSPORTATION	DETAIL OF SLOTTED VANE DRAIN 12" WITH 6" SLOT				F.A. RTE.	SECTION	COUNTY	TOTAL SHEETS	SHEET NO.
	PLOT SCALE = \$SCALE\$	DRAWN -	REVISED -		SCALE:	SHEET NO.	OF	SHEETS	STA.	TO STA.	CONTRACT NO.		
	PLOT DATE = \$DATE\$	CHECKED -	REVISED -		FED. ROAD DIST. NO. ILLINOIS FED. AID PROJECT								
		DATE -	REVISED -										