

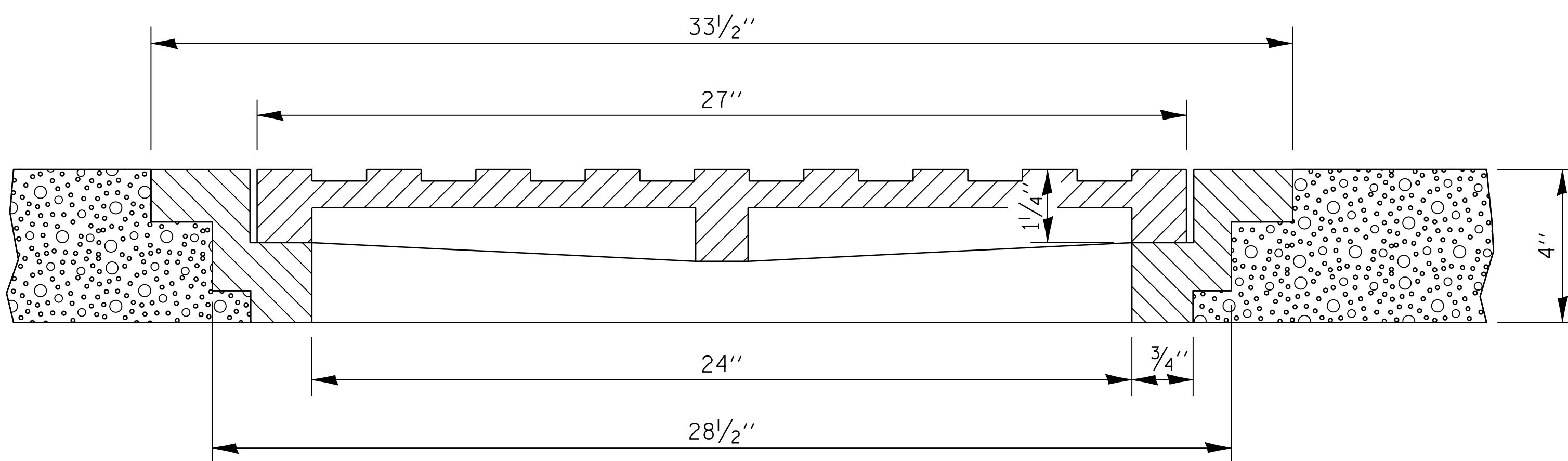
NOTES:

CLASS SI CONCRETE SHALL BE USED THROUGHOUT.

THE MANHOLE WILL BE PAID FOR AT THE CONTRACT UNIT PRICE EACH FOR MANHOLES, SPECIAL, WHICH PRICE SHALL INCLUDE THE CAST IRON FRAME WITH CLOSED LID, THE STEPS AND THE REINFORCEMENT BARS.

CONSTRUCT NUMBER OF PIPE CONNECTIONS AS DIRECTED BY THE ENGINEER.

STEPS AT 12" TO 16" CENTERS SEE STANDARD 602701 FOR DETAILS OF STEPS.



SECTION THRU FRAME & LID
WEIGHT OF FRAME & LID, 300 LBS.

MANHOLES, SPECIAL