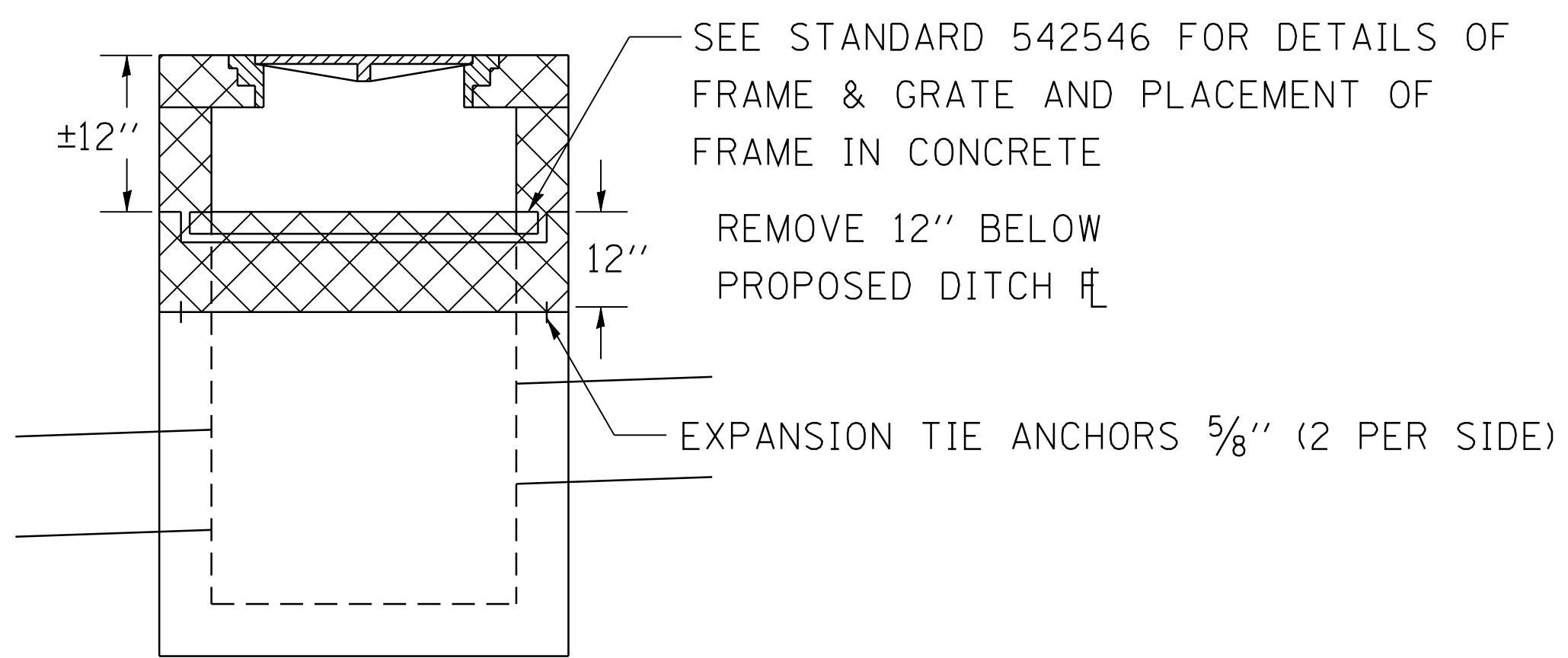


SEE STANDARD 542546 FOR
FRAME PLACEMENT DETAILS

PLAN VIEW



SEE STANDARD 542546 FOR DETAILS OF
FRAME & GRATE AND PLACEMENT OF
FRAME IN CONCRETE

REMOVE 12" BELOW
PROPOSED DITCH \mathcal{H}

EXPANSION TIE ANCHORS $\frac{5}{8}$ " (2 PER SIDE)

NOTES:

THIS WORK SHALL BE DONE IN ACCORDANCE WITH SECTION 602 OF THE STANDARD SPECIFICATIONS, STANDARD 542546 AND THIS DETAIL.

THE PROPOSED TOP SHALL BE CAST-IN-PLACE OR PRECAST.

THE CONCRETE SHALL BE REMOVED ACCORDING TO ARTICLE 501.05 OF THE STANDARD SPECIFICATIONS.

THIS WORK WILL BE PAID FOR AT THE CONTRACT UNIT PRICE EACH FOR INLETS TO BE RECONSTRUCTED WITH NEW STANDARD 542546 FRAME AND GRATE WHICH PRICE SHALL INCLUDE THE REMOVAL AND DISPOSAL OF THE EXISTING FRAME AND GRATE & CONCRETE, FURNISHING & INSTALLING EXPANSION TIE ANCHORS, CLASS SI CONCRETE, AND FURNISHING & INSTALLING FRAME & GRATE.

FLUSH INLET BOX TO BE RECONSTRUCTED

WITH NEW STANDARD 542546 FRAME AND GRATE

DESIGNER NOTE:

CHECK THE DIMENSIONS
ON THIS DETAIL, CHANGE
TO FIT YOUR CONDITIONS.