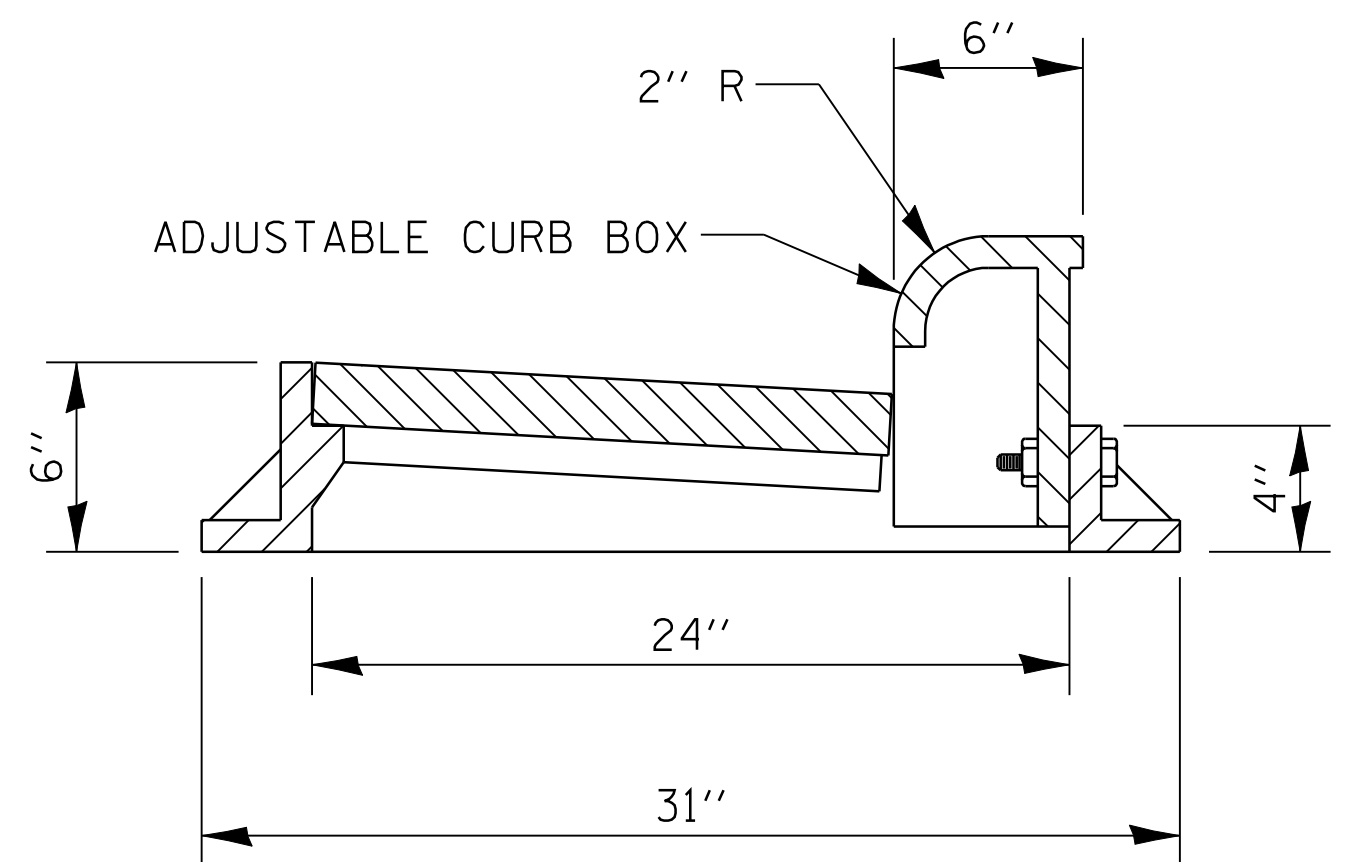
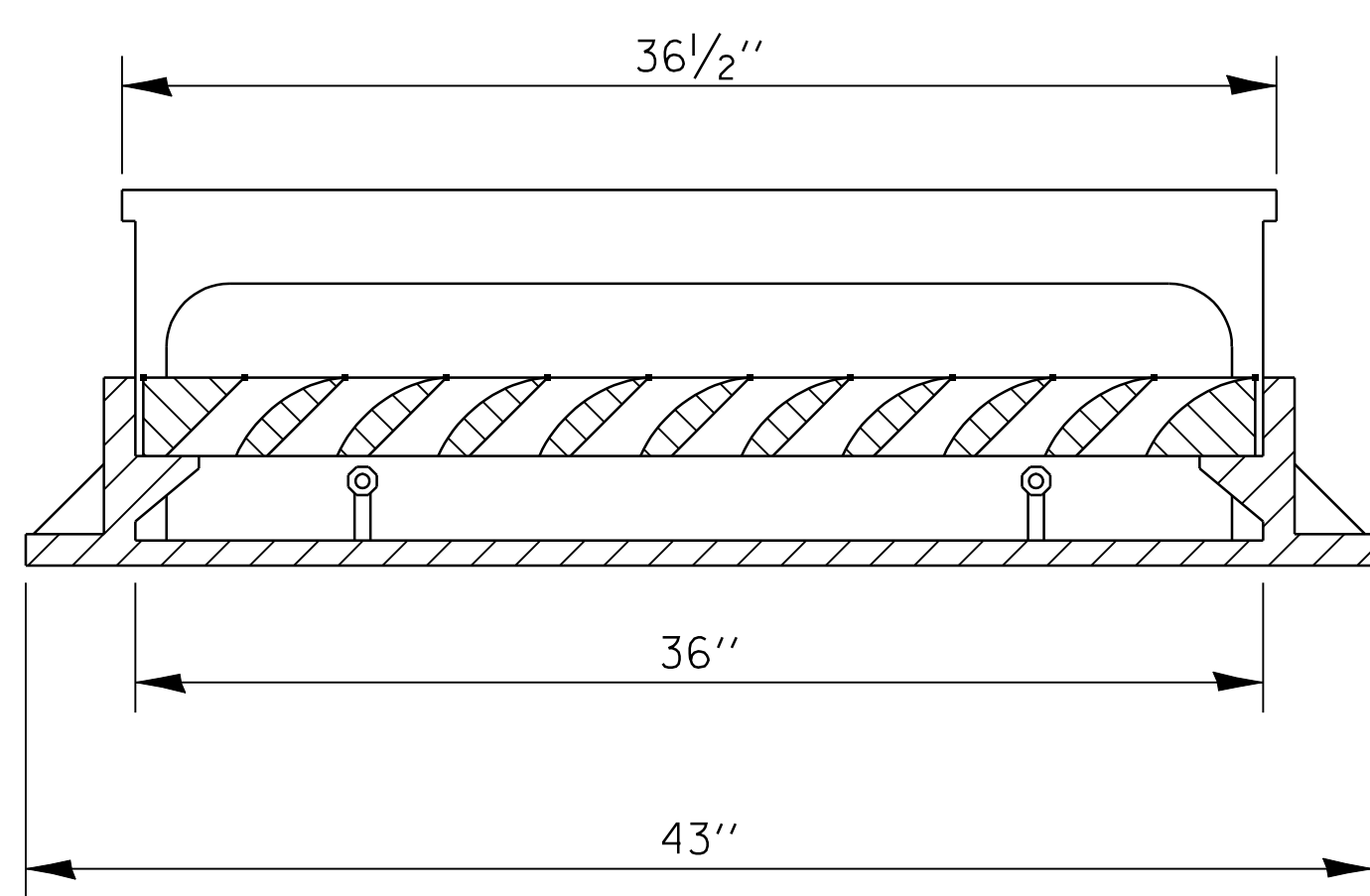


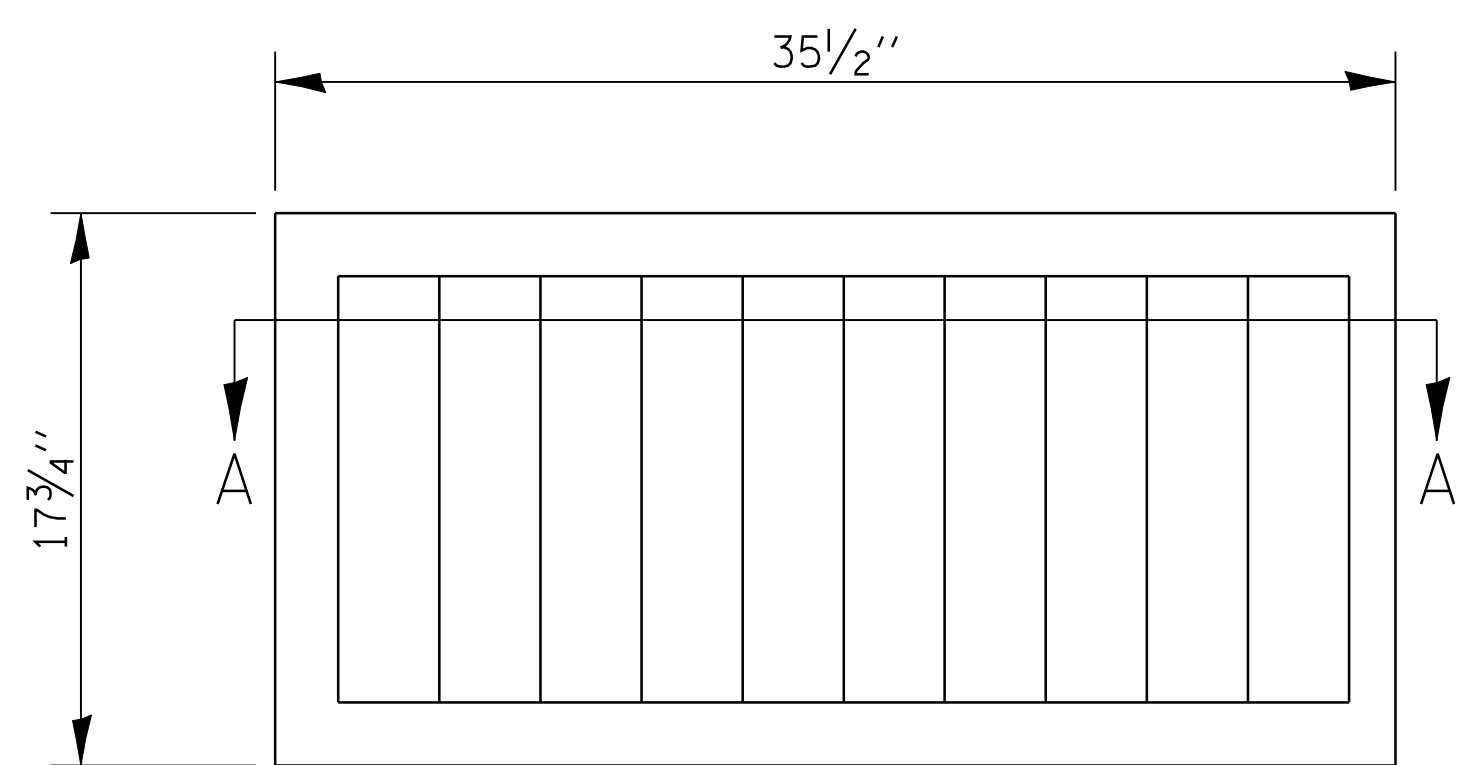
PLAN OF FRAME
WITHOUT GRATE AND CURB BOX



TRANSVERSE SECTION

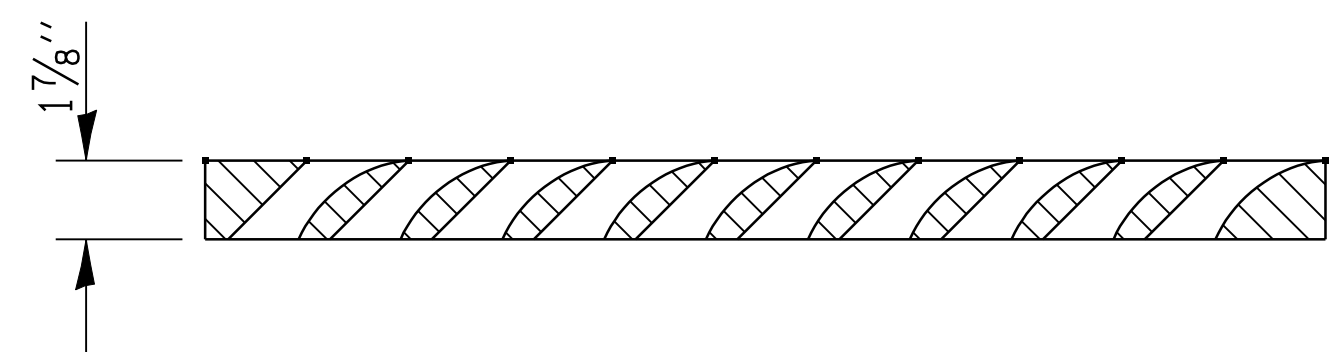


LONGITUDINAL SECTION



PLAN OF GRATE

R 3067
APPROXIMATE WEIGHT - 530 LBS.



SECTION A-A

604-2

FRAME AND GRATE FOR INLET SPECIAL