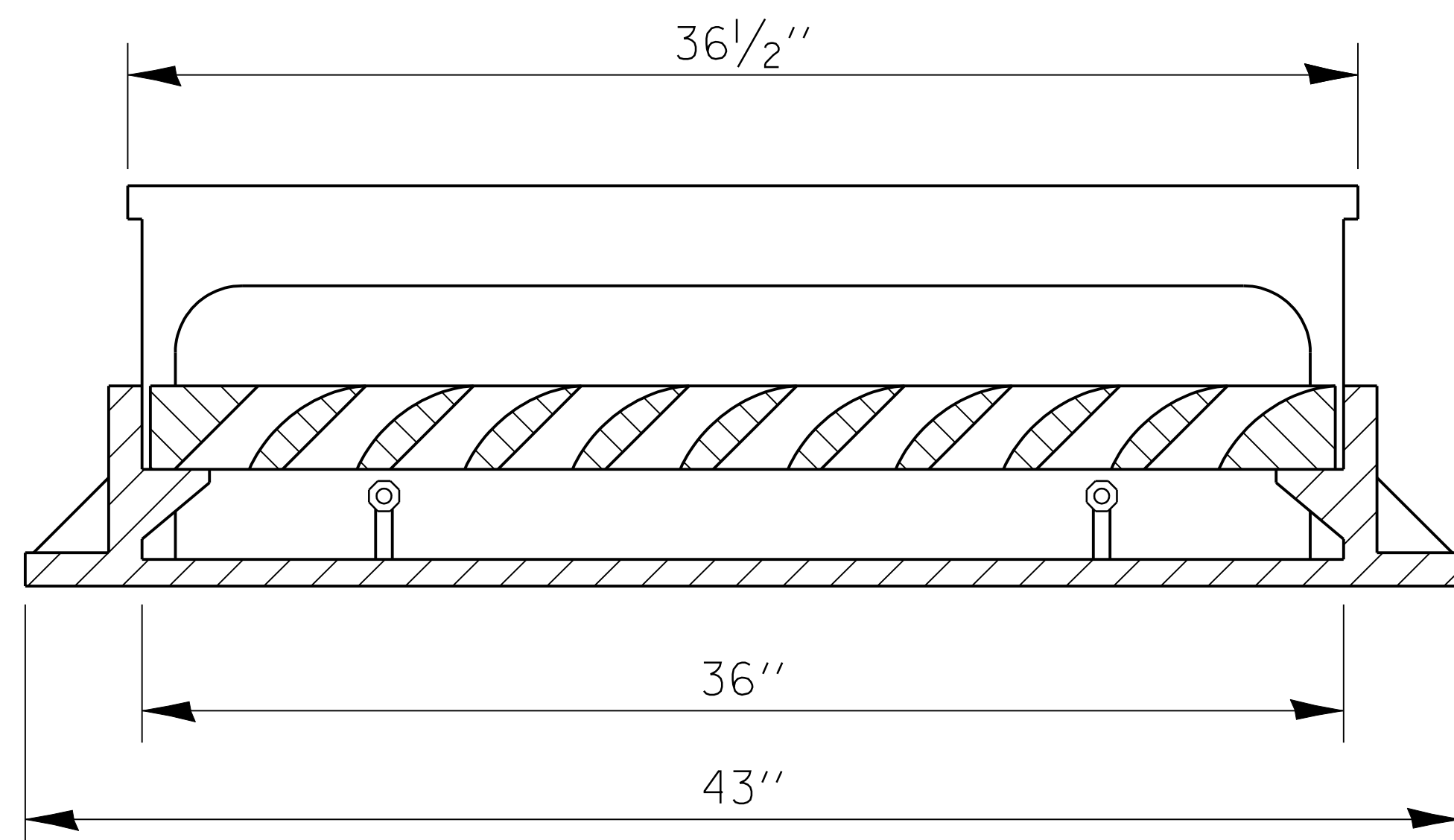
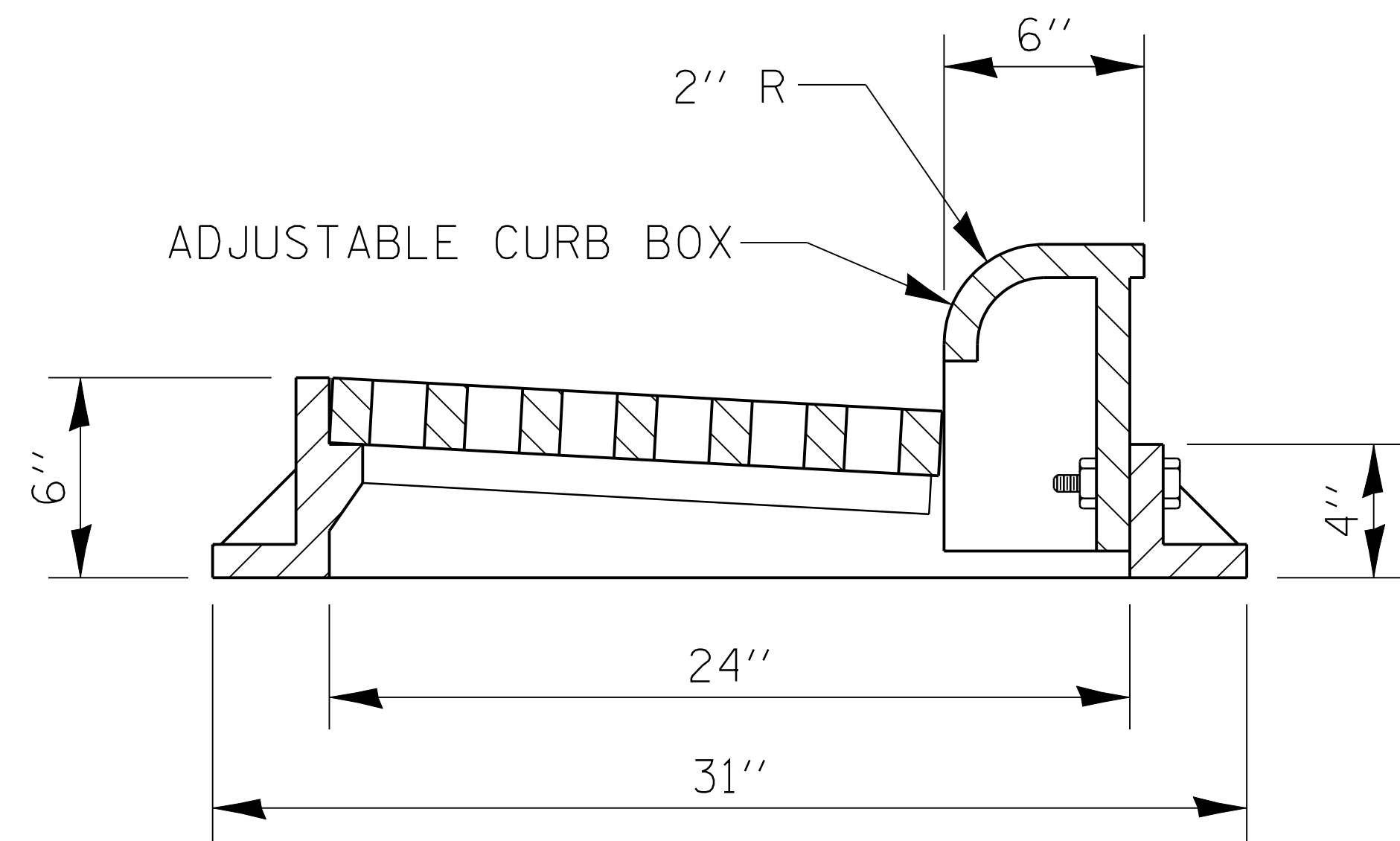


PLAN OF FRAME

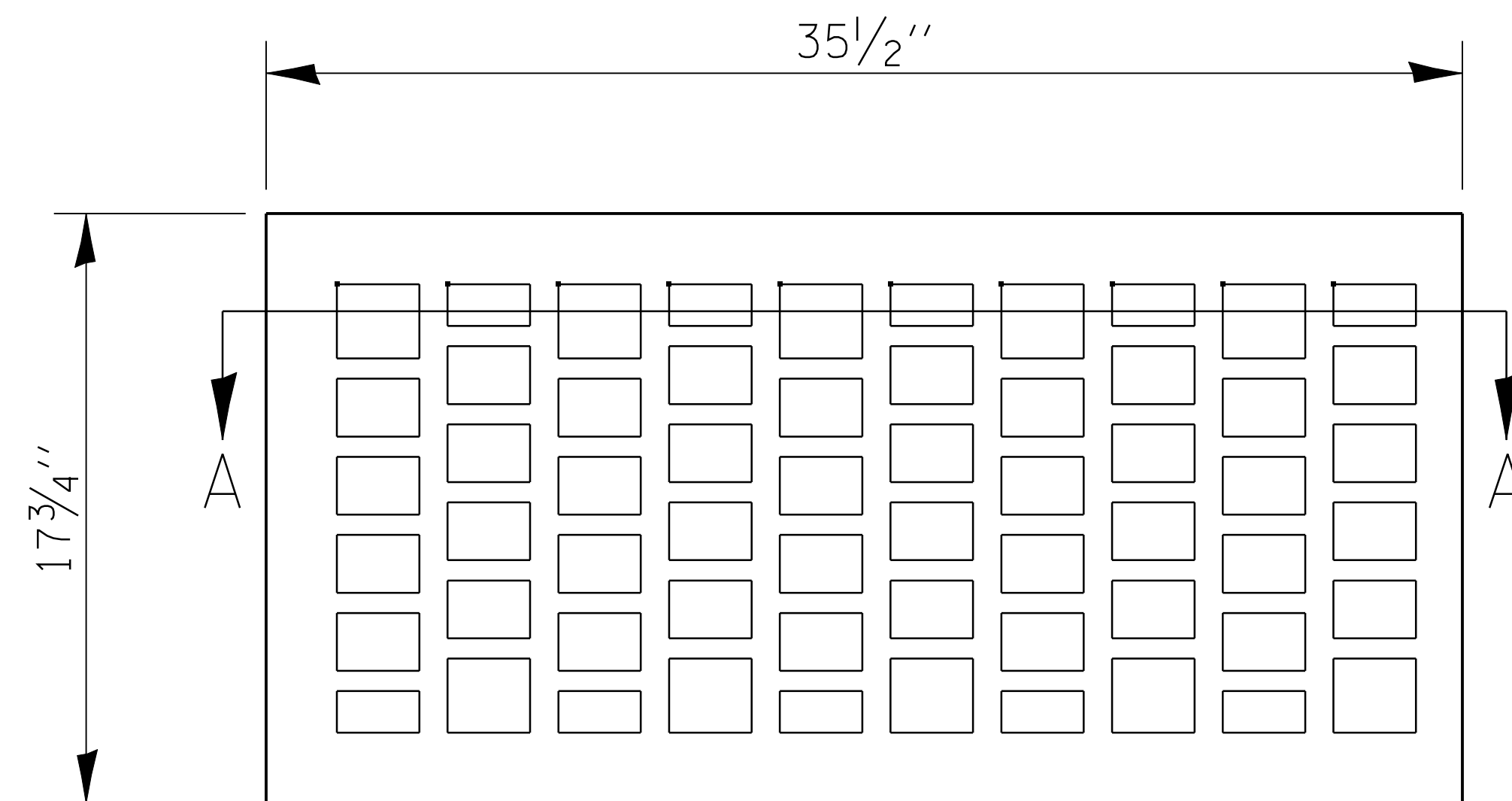
WITHOUT GRATE AND CURB BOX



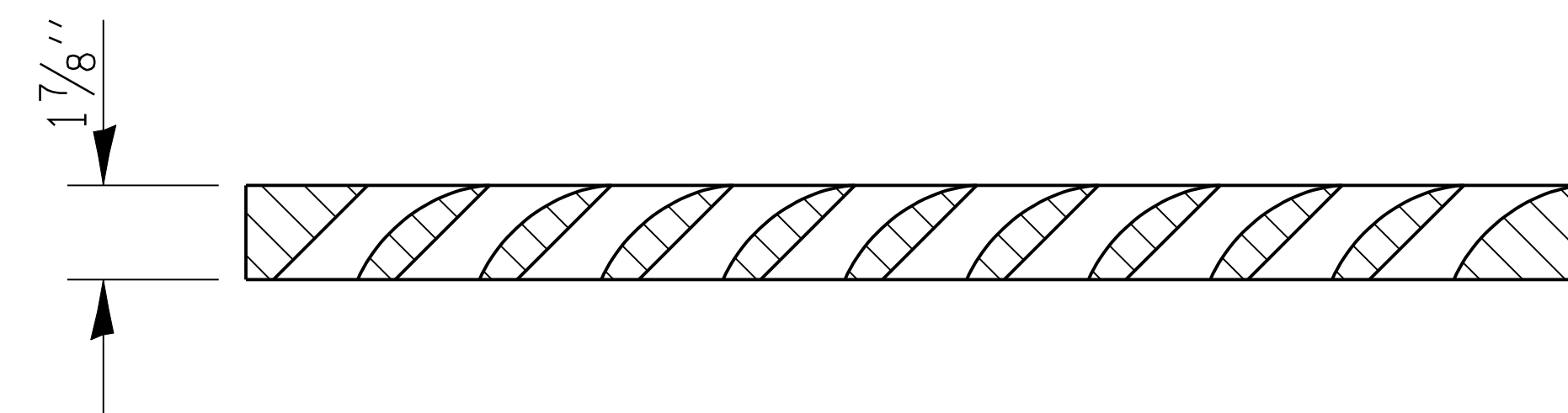
LONGITUDINAL SECTION



TRANSVERSE SECTION



PLAN OF GRATE



SECTION A-A

R 3067

APPROXIMATE WEIGHT - 530 LBS.

FRAME AND GRATE FOR INLET SPECIAL

604-3