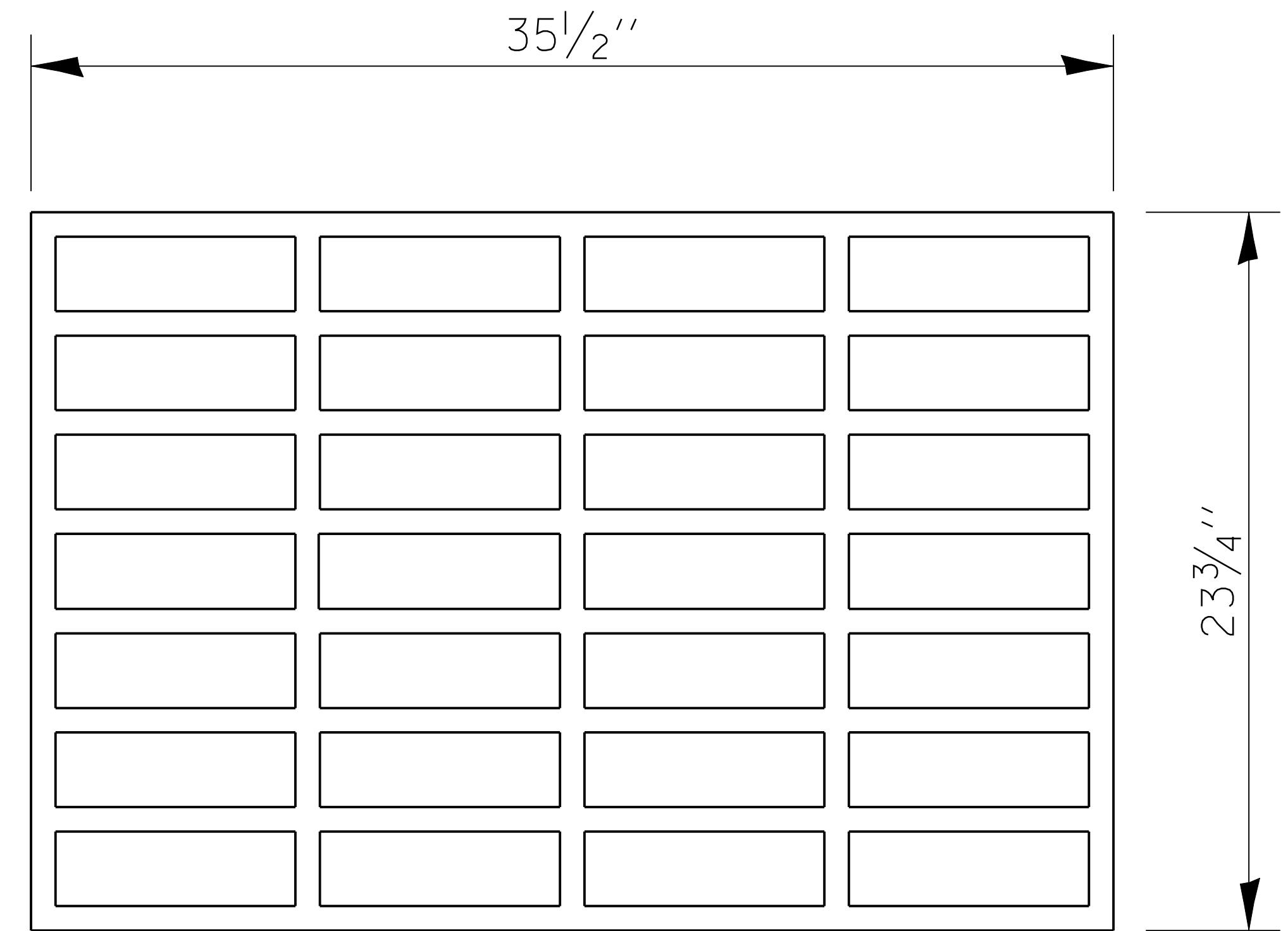
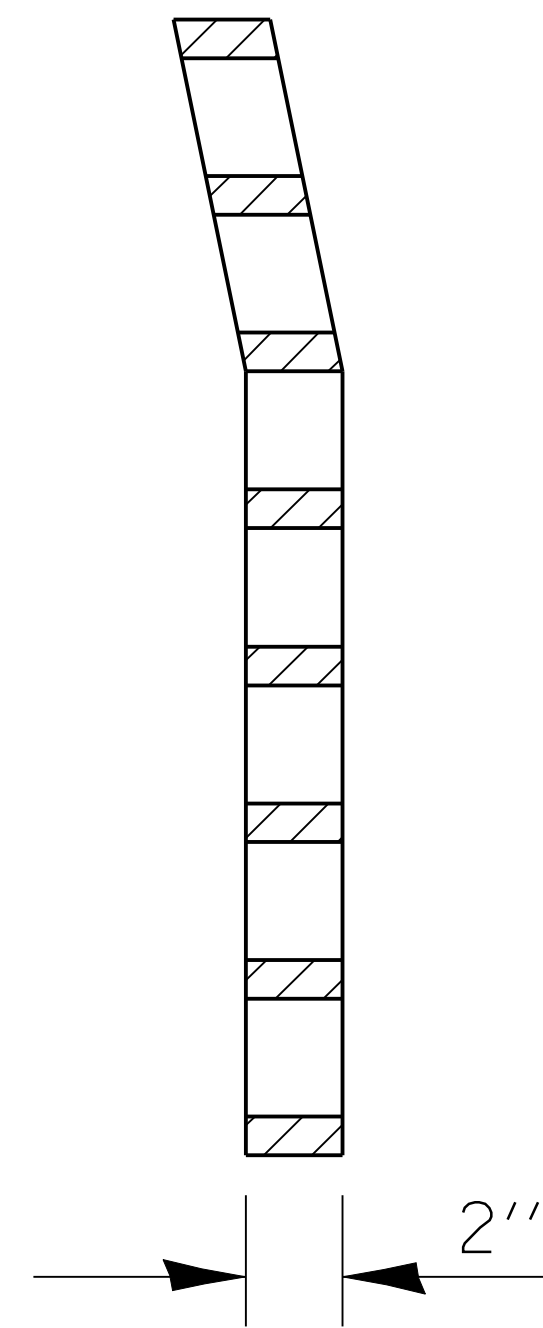


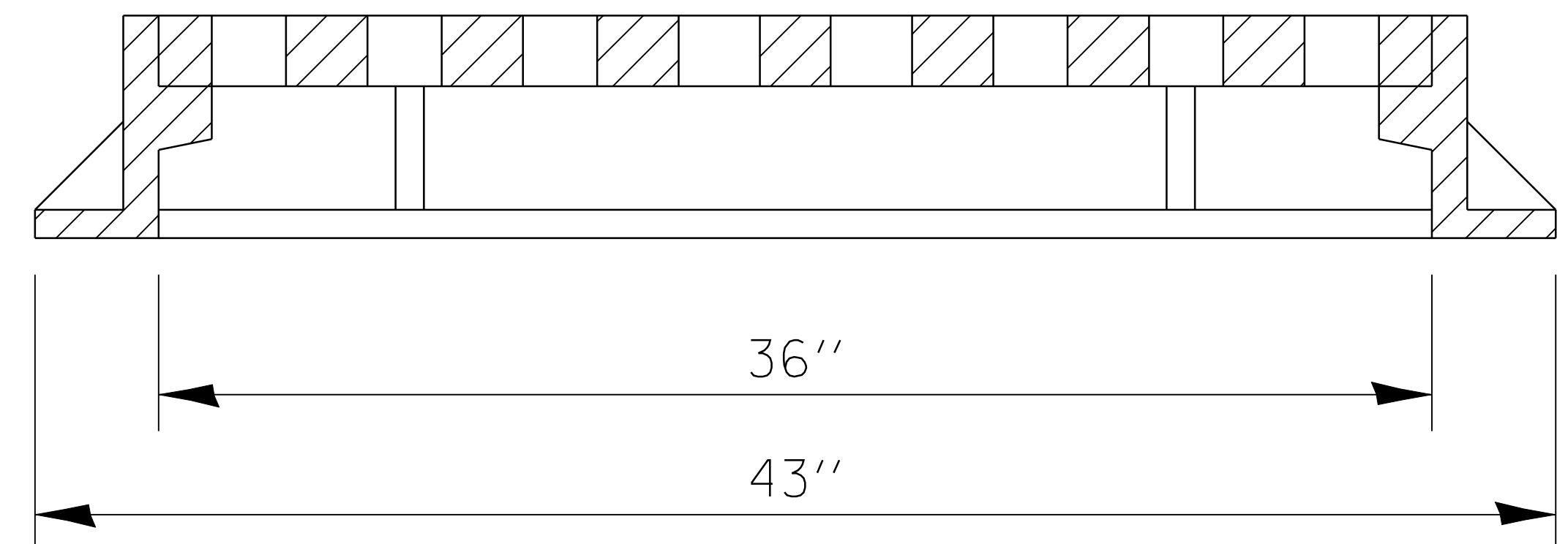
**PLAN OF FRAME**

\* THIS GRATE TO BE USED WIATHOUT CURB BOX WHEN INLET IS IN DRIVEWAY.

APPROXIMATE WEIGHT OF CAST IRON FRAME & FRATE - 530 LBS.



**PLAN OF GRATE**



**LONGITUDINAL SECTION**

**FRAME AND GRATE FOR INLET SPECIAL**

**604-4**