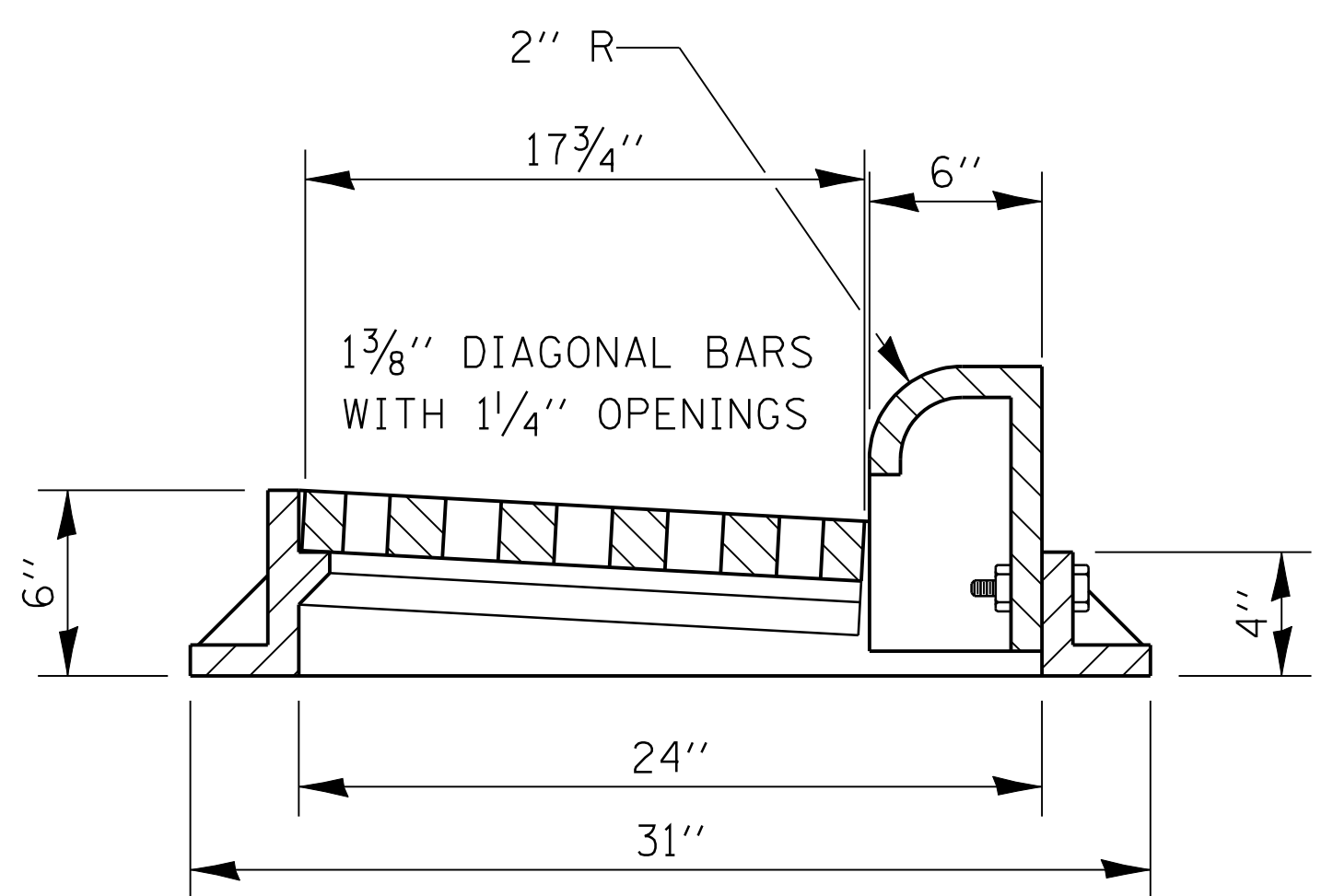
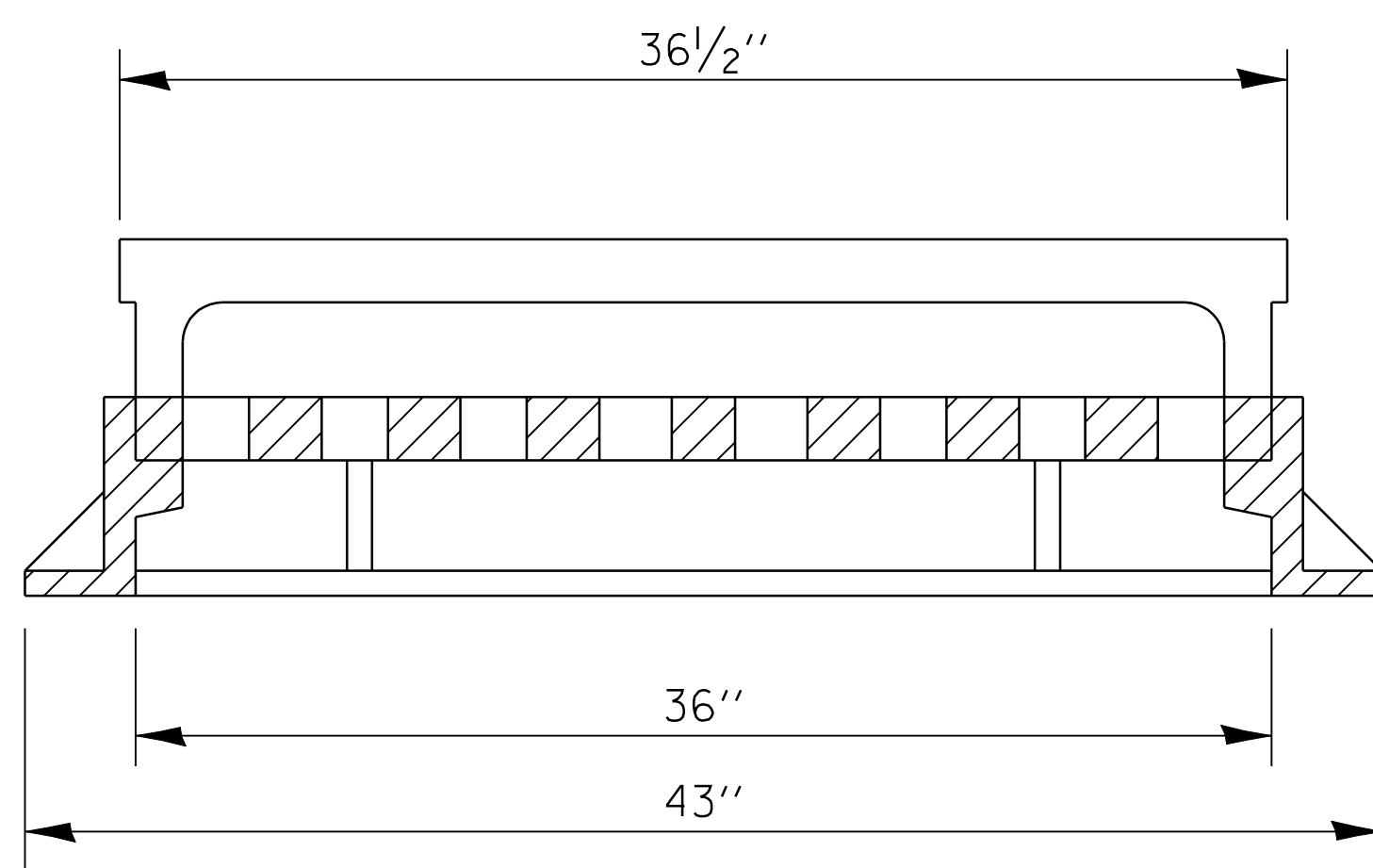


PLAN OF FRAME

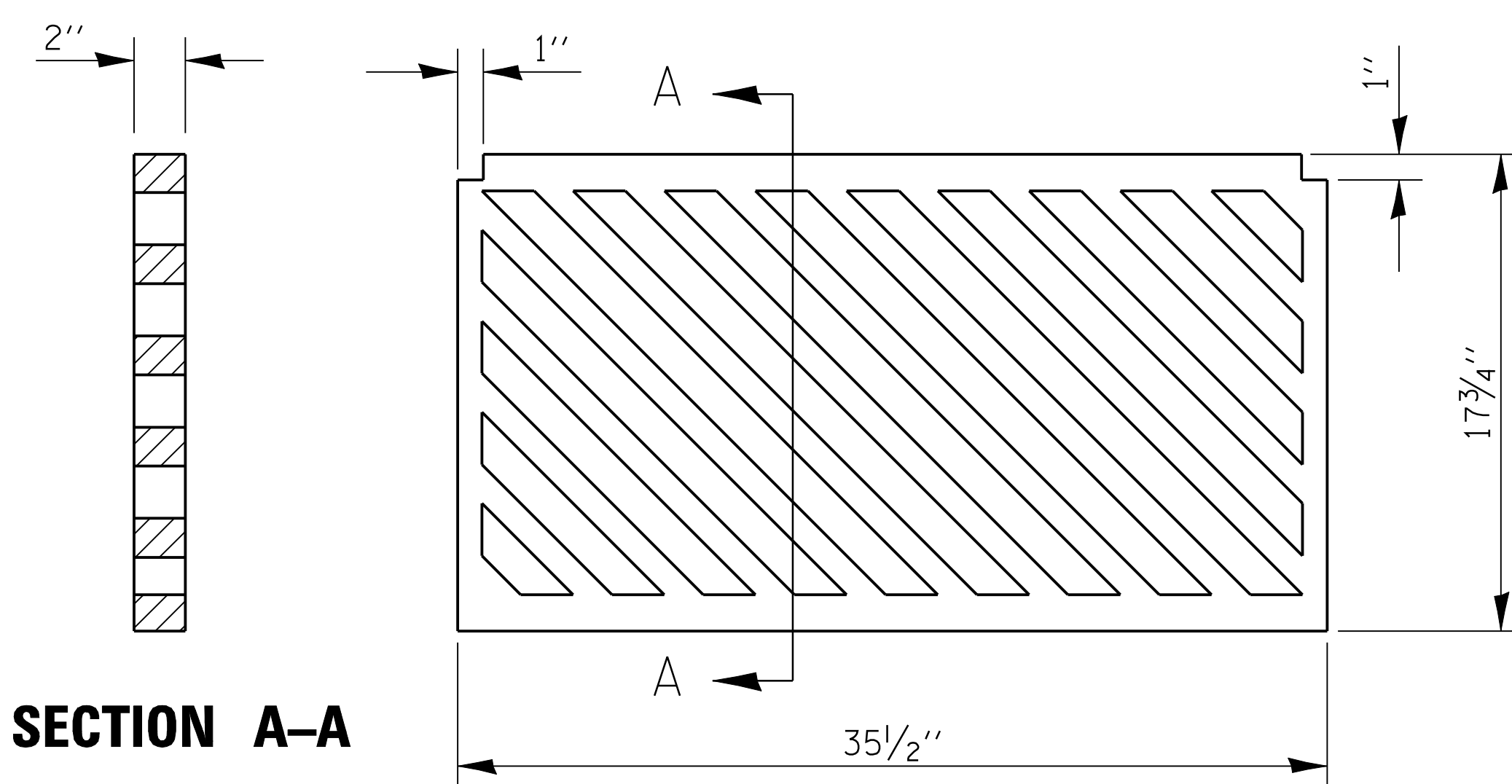
WITHOUT GRATE AND CURB BOX



TRANSVERSE SECTION



LONGITUDINAL SECTION



SECTION A-A

PLAN OF GRATE

FRAME AND GRATE FOR INLET SPECIAL