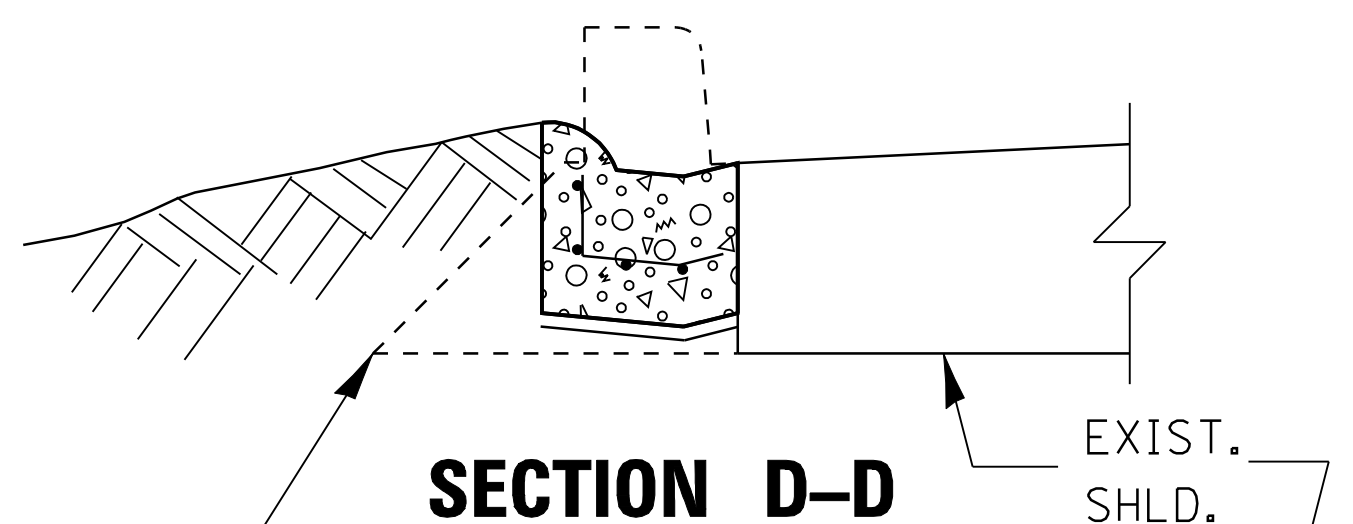
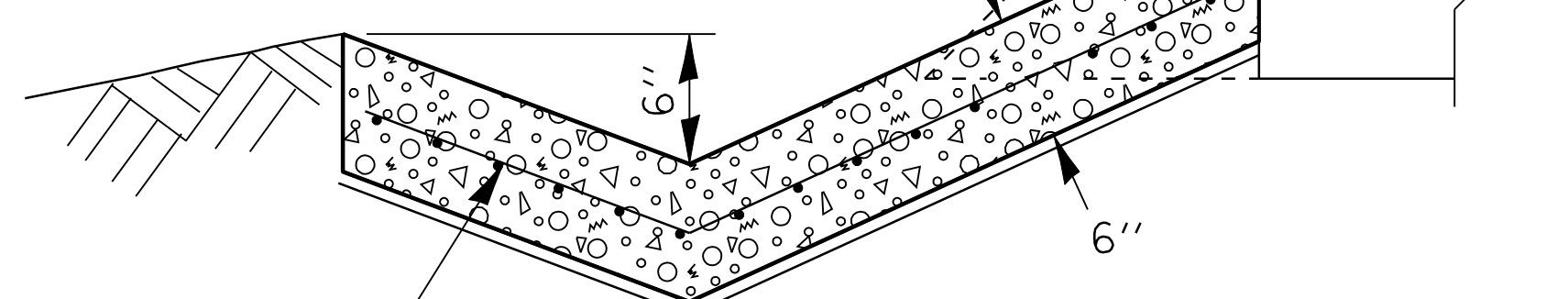


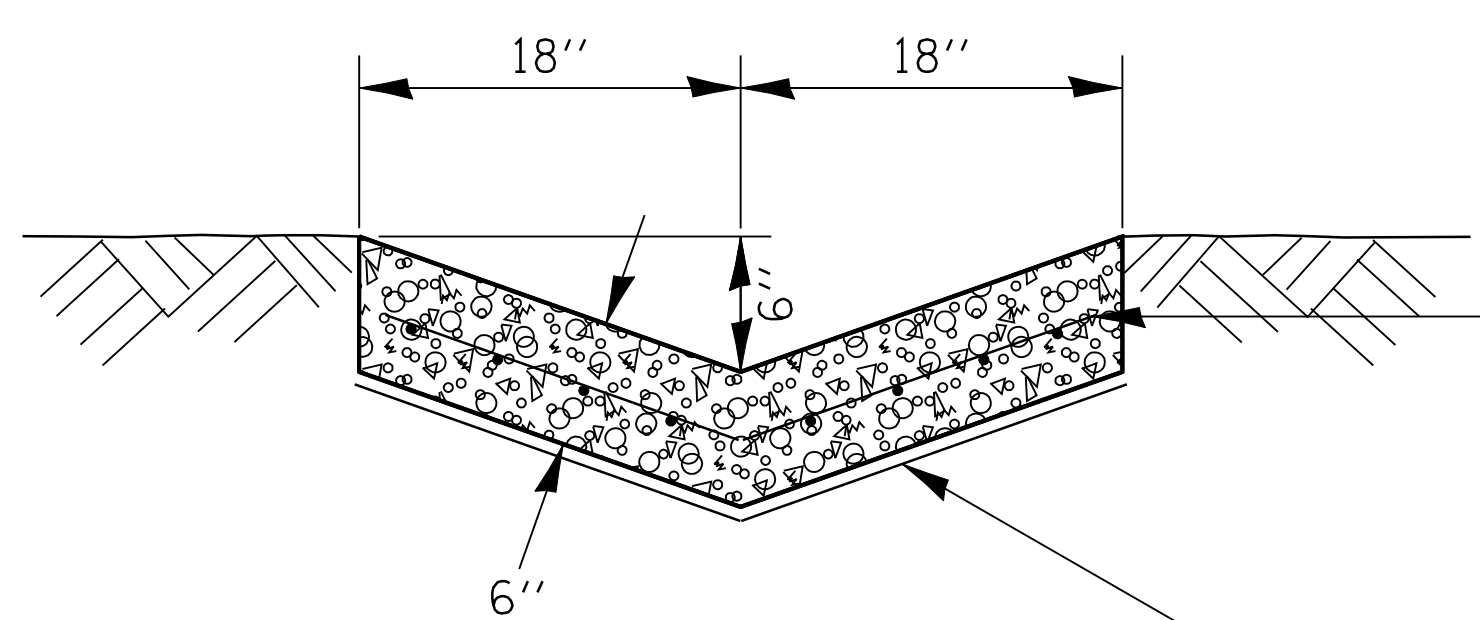
SECTION E-E



SECTION D-D

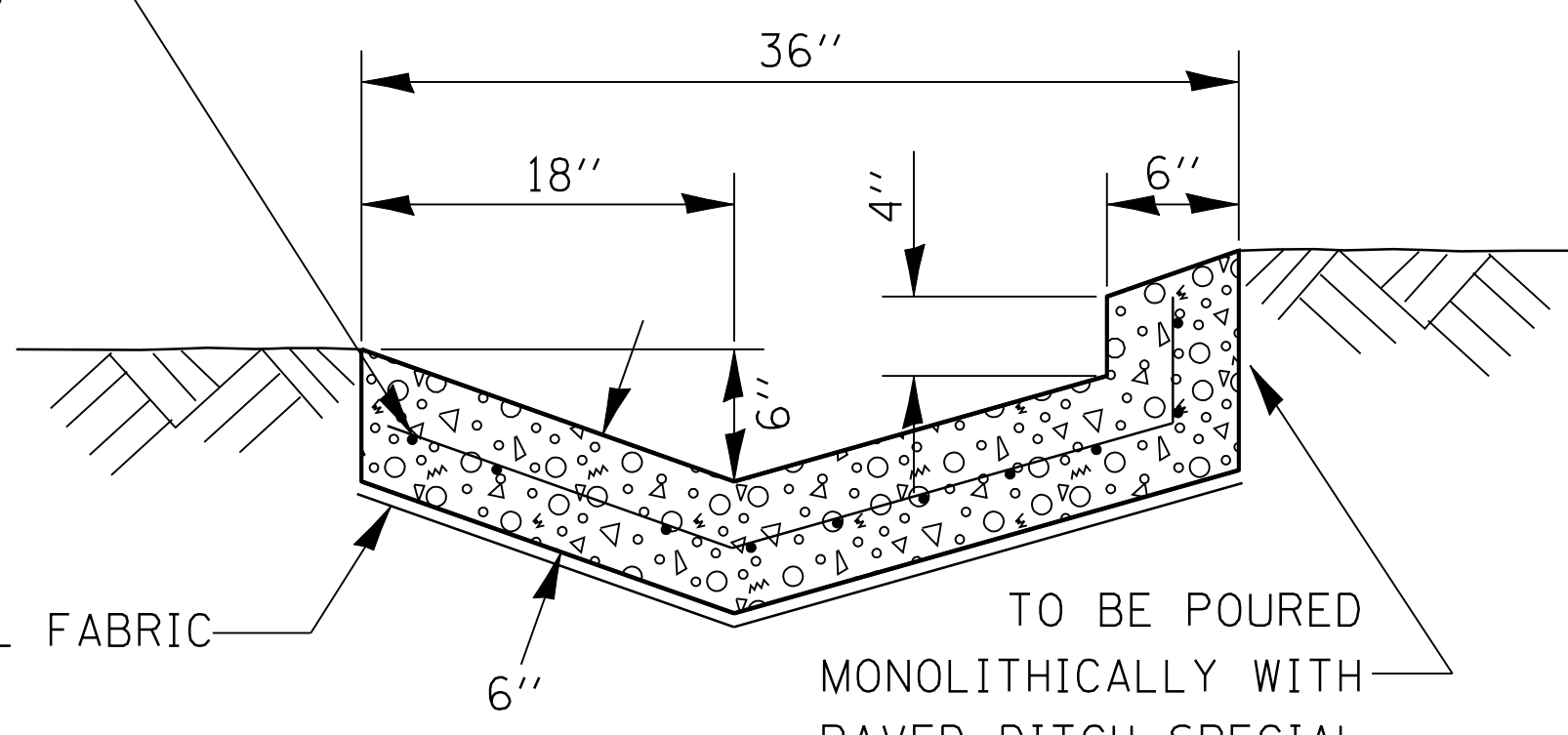


SECTION C-C



SECTION A-A

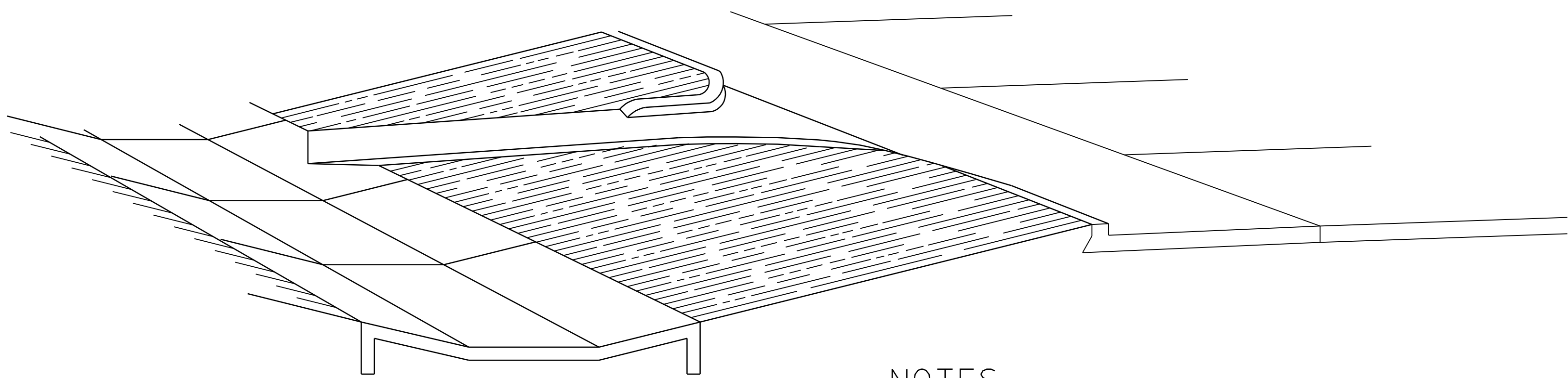
6" x 6" WELDED WIRE FABRIC WEIGHING NOT LESS THAN 58 LBS./100 SQ. FT.



SECTION B-B

** GEOTECHNICAL FABRIC

TO BE POURED MONOLITHICALLY WITH PAVED DITCH SPECIAL



NOTES:

WELDED WIRE FABRIC SHALL BE FURNISHED AND INSTALLED BY THE CONTRACTOR AND INCLUDED IN THE UNIT PRICE FOR PAVED DITCH, SPECIAL.

CLASS SI CONCRETE SHALL BE USED THROUGHOUT.

THIS ITEM OF WORK SHALL BE PAID FOR IN ACCORDANCE WITH ARTICLE 606.14 OF THE STANDARD SPECIFICATIONS. AT THE CONTRACT UNIT PRICE PER FOOT FOR PAVED DITCH, SPECIAL.

** THE GEOTECHNICAL FABRIC IS INCIDENTAL TO THE PAVED DITCH.

PAVED DITCH, SPECIAL