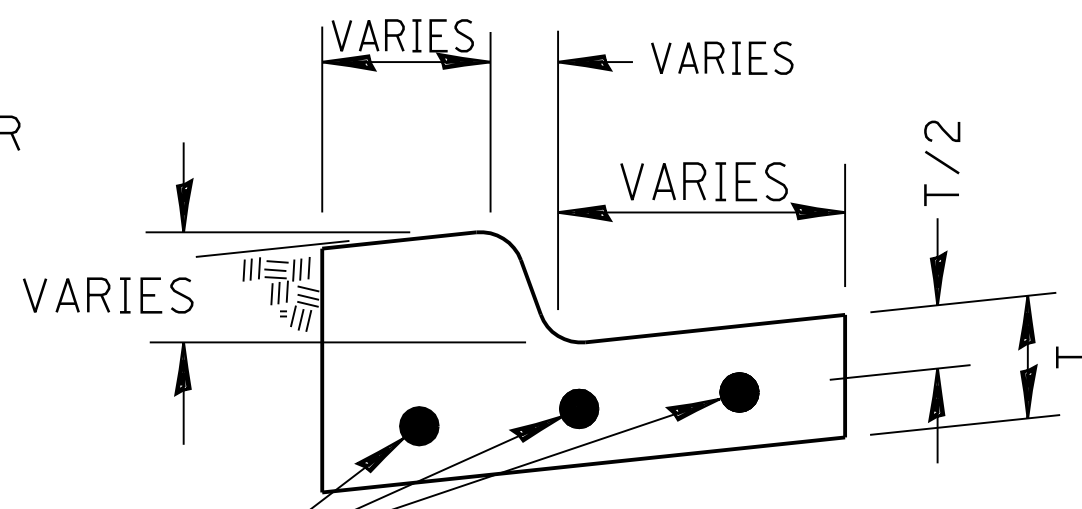
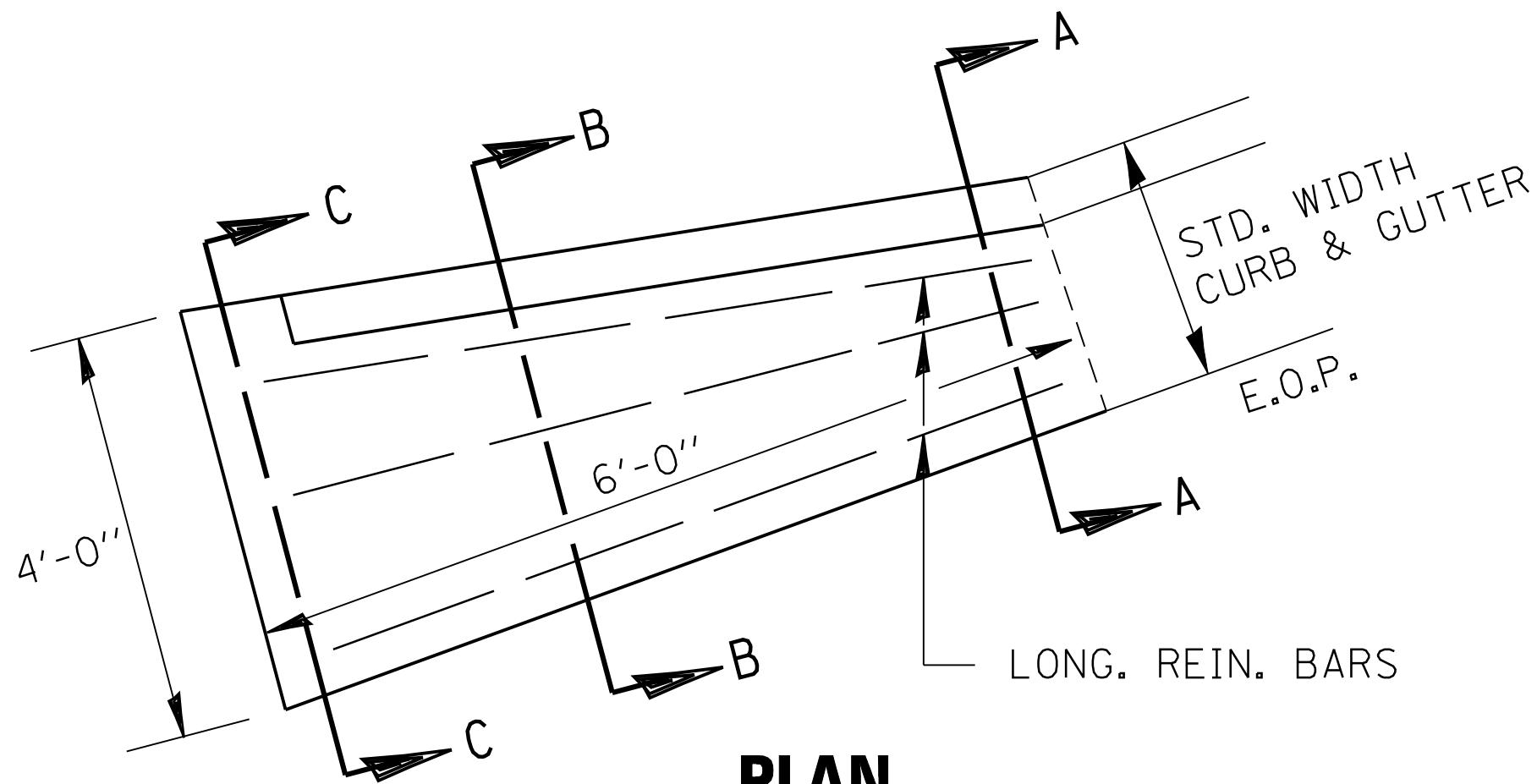


CURB DETAIL

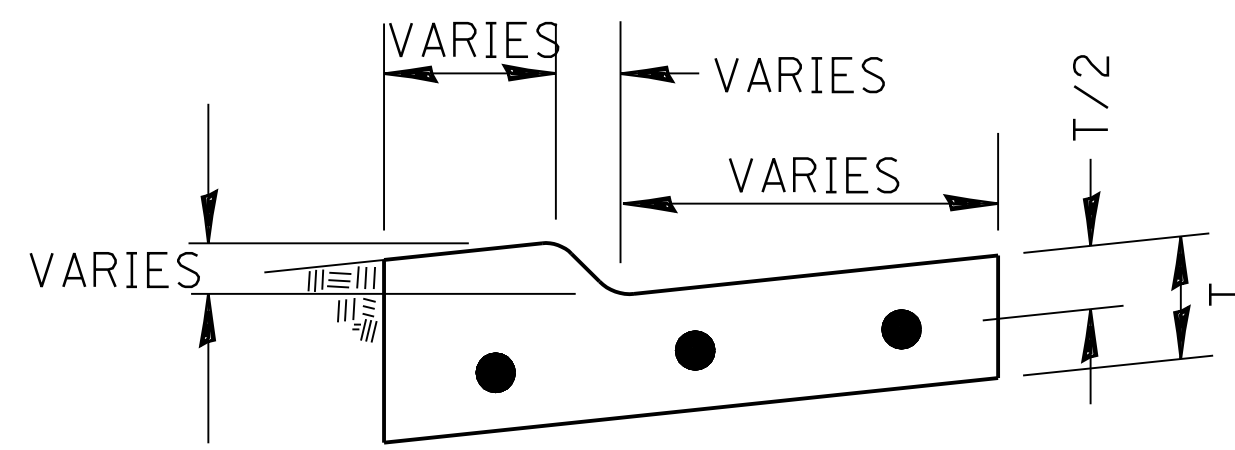
3-#4 LONG. BARS (INCIDENTAL)



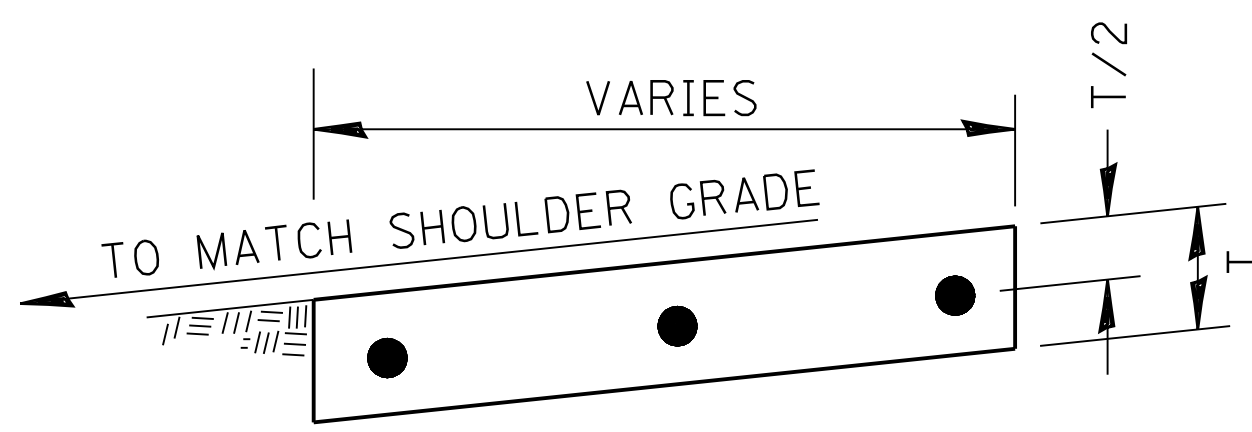
SECTION A-A



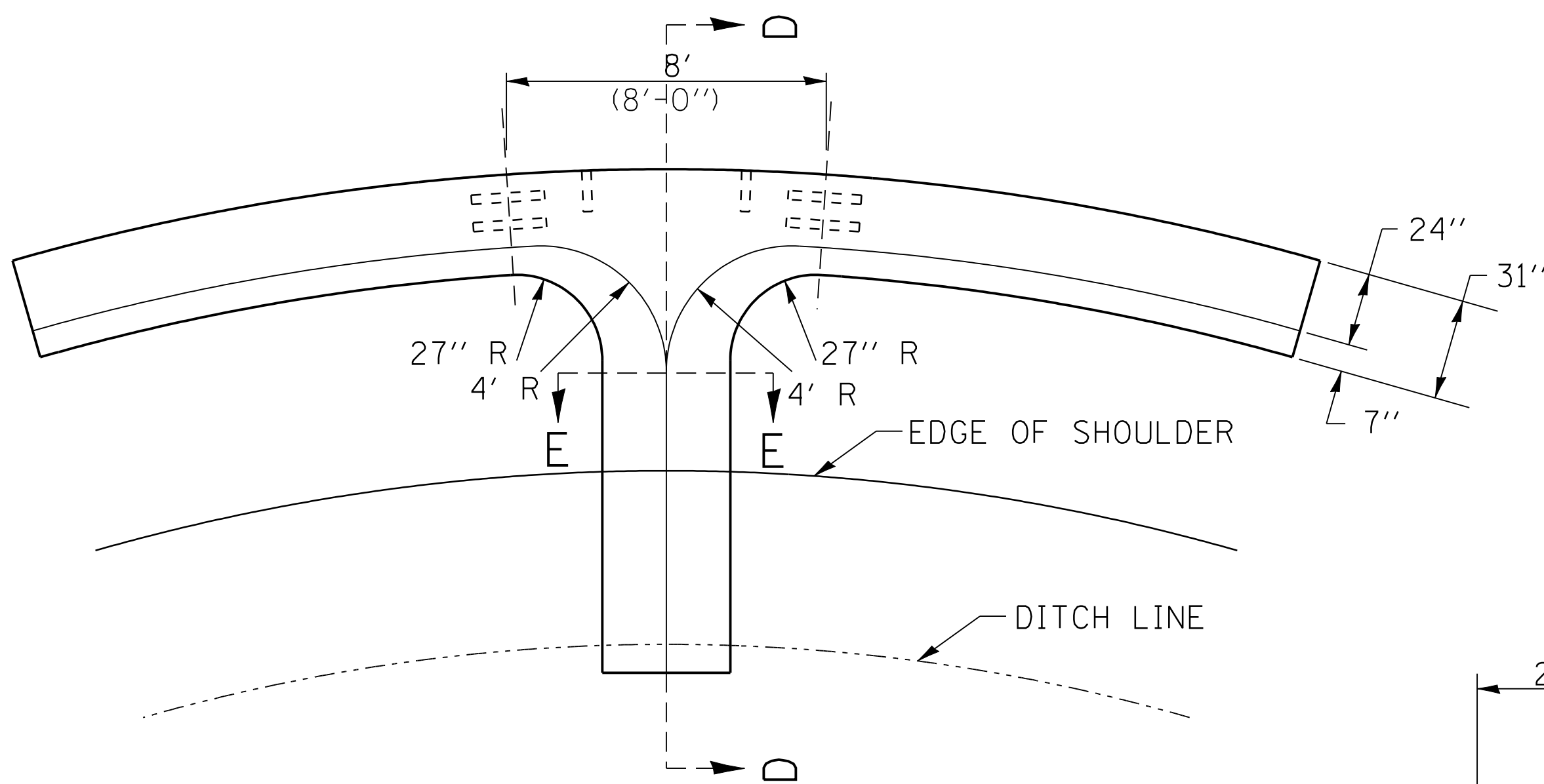
PLAN



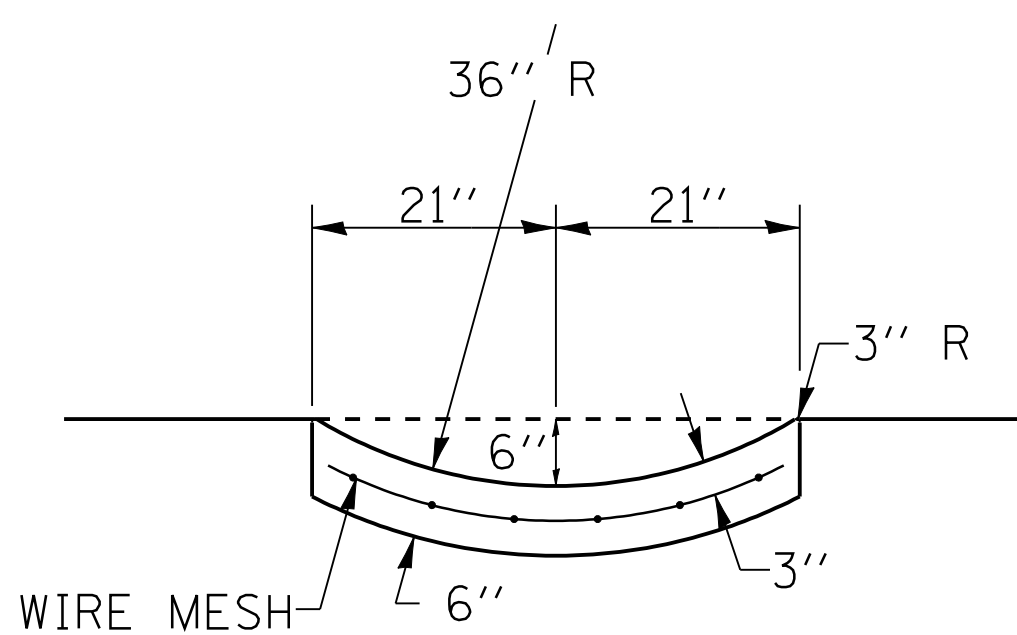
SECTION B-B



SECTION C-C



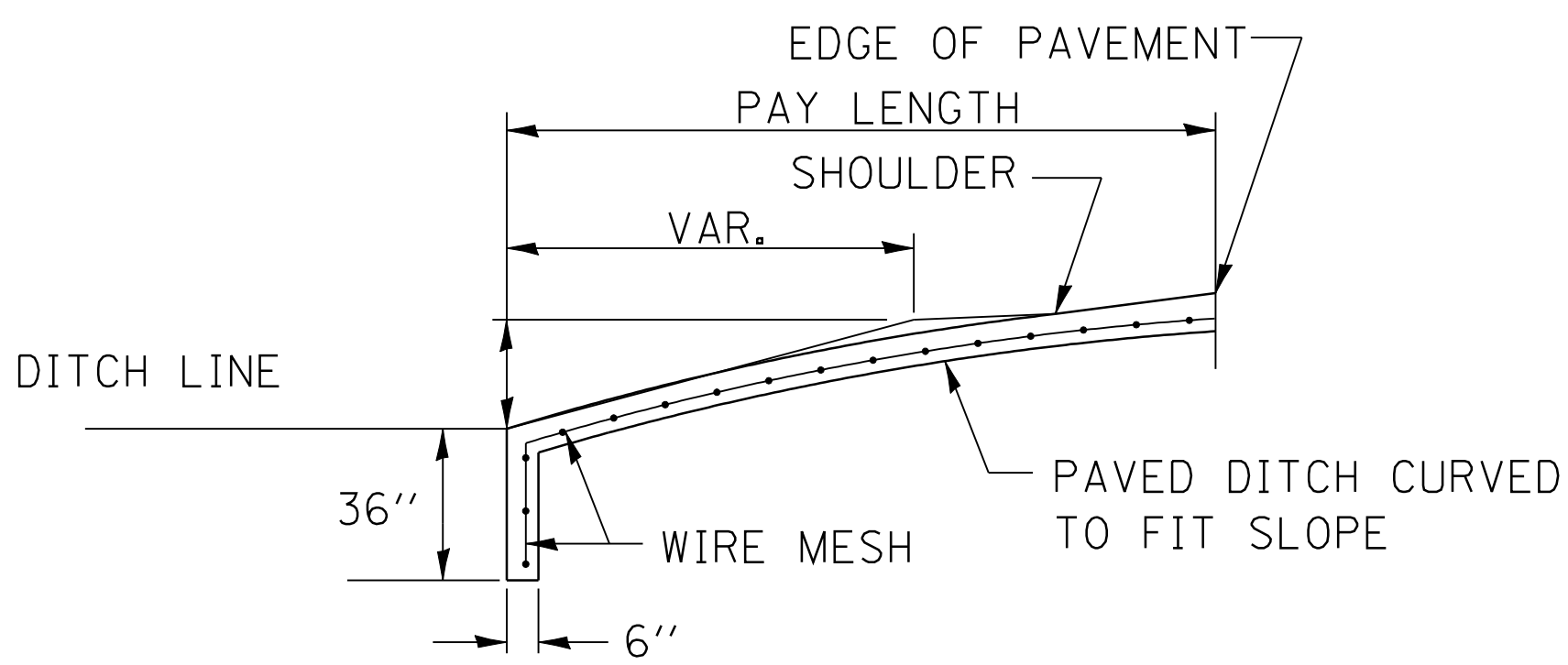
SECTION D-D



QUANTITY OF CONCRETE

SECTION A-A = 0.07 CU. YD./FT.
8' SECTION OF CURB & GUTTER UP TO SECTION A-A = 0.75 CU.YD.

SECTION E-E



NOTE:

CLASS SI CONCRETE SHALL BE USED THROUGHOUT. CURB AND GUTTER OUTLET SHALL BE TIED TO PAVEMENT SLAB WITH 2 TIE BARS, 30" LONG - 30" CENTERS. OUTLET SHALL BE TIED TO CURB AND GUTTER AT CONTRACTION JOINTS AS SHOWN. GUTTER OUTLET AND PAVED DITCH SHALL BE REINFORCED WITH WIRE MESH HAVING A WEIGHT OF AT LEAST 58 LBS/SQ. FT. COST TO BE INCLUDED IN THE UNIT PRICE PER CU. YD. FOR CLASS SI CONCRETE (OUTLET).