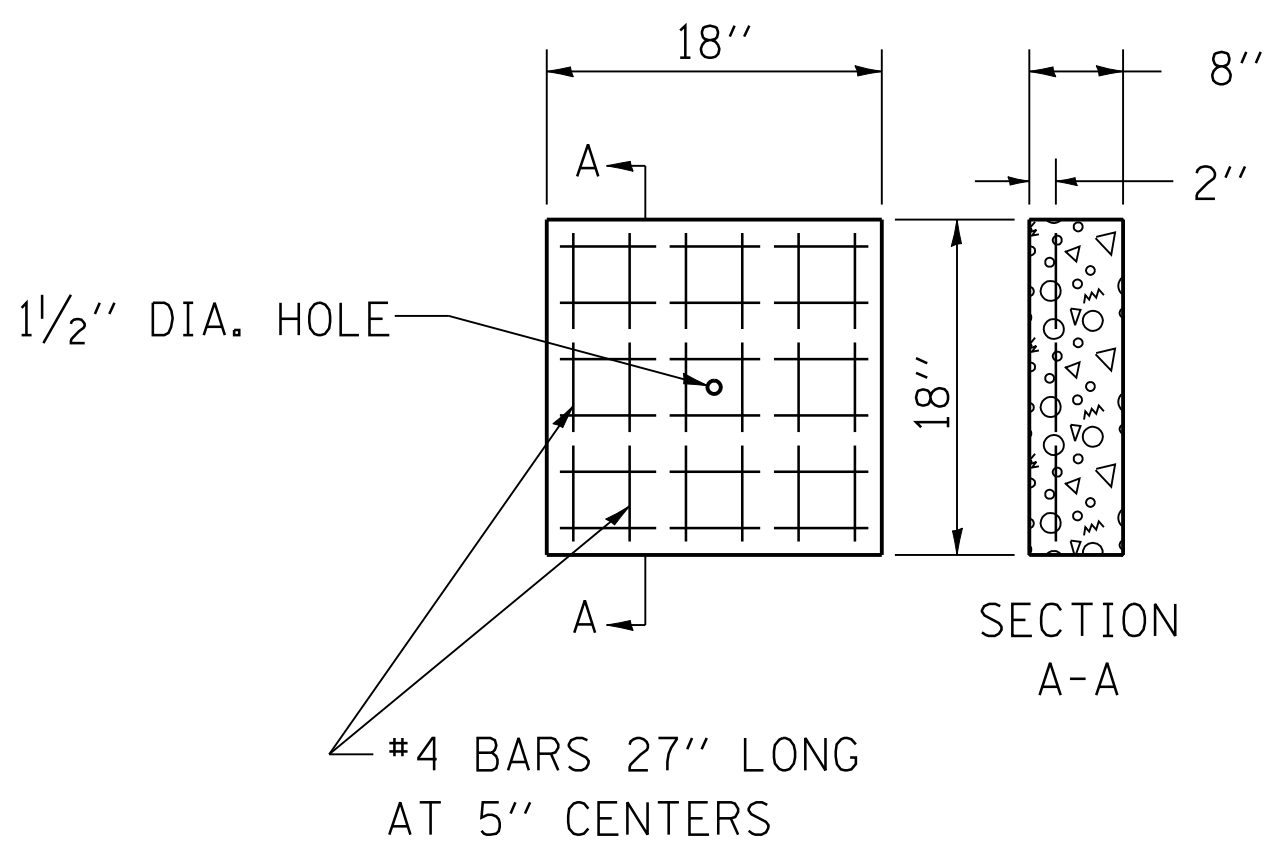


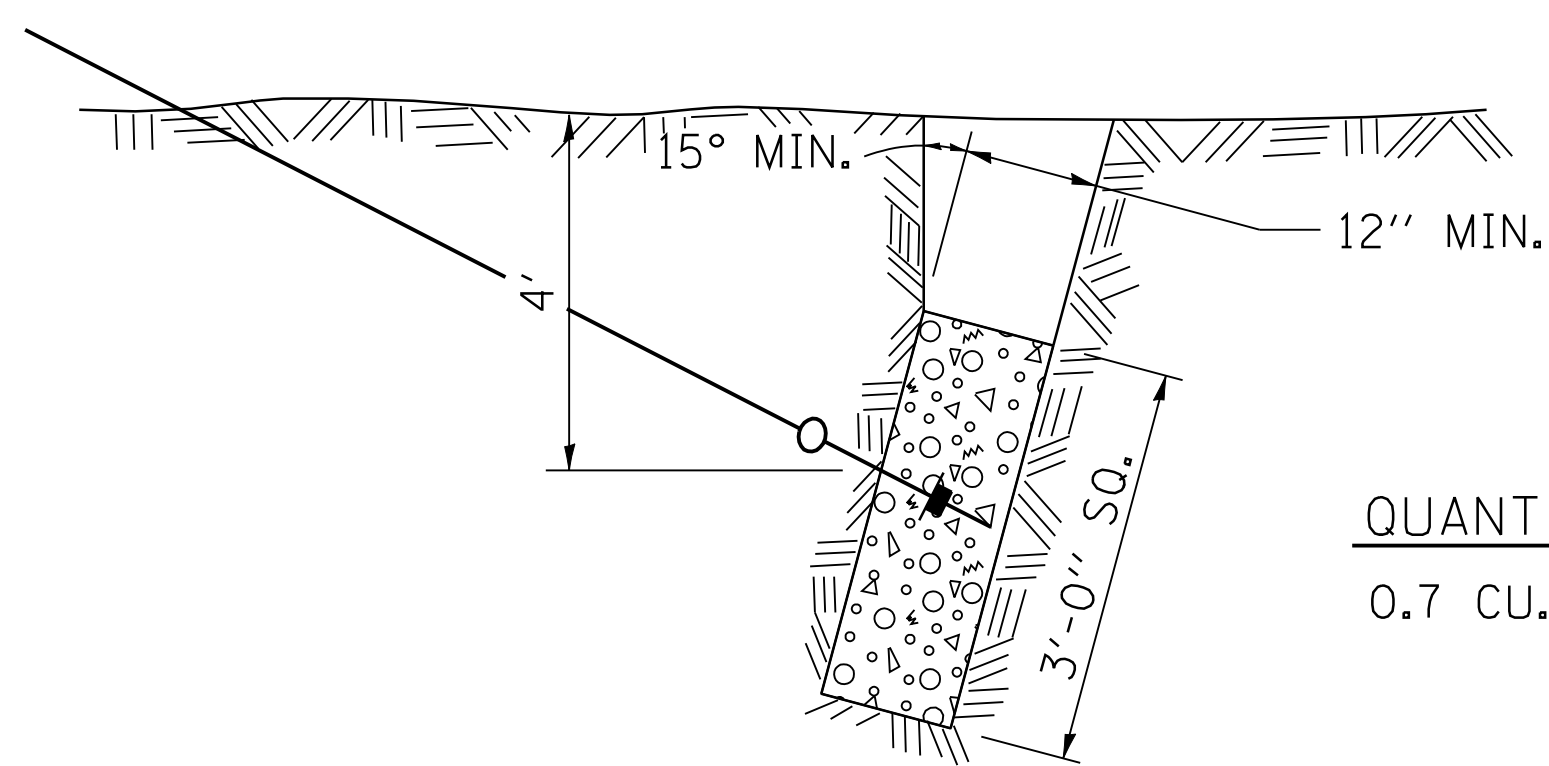
NOTE:

THE ITEMS LISTED IN THE BILL OF MATERIALS SHALL BE INCIDENTAL TO THE COST OF THE FLOOD GATE SUPPORT COMPLETE.



DETAIL OF PRECAST CONCRETE DEADMAN

QUANTITIES FOR 2 DEADMEN
 0.3 CU. YD. CLASS SI CONCRETE
 36 LBS. REINFORCEMENT BARS



QUANTITIES FOR 2 DEADMEN
 0.7 CU. YD. CLASS SI CONCRETE

DETAIL OF CAST-IN-PLACE CONCRETE DEADMAN

NOTE:

PRECAST CONCRETE DEADMEN AND CAST-IN-PLACE CONCRETE DEADMEN SHALL BE CONSTRUCTED OF CLASS SI CONCRETE

BILL OF MATERIALS

QUANTITY	UNIT	ITEM
240	FT	3/4" DIA. GALVANIZED WIRE ROPE
4	EACH	3/4" DIA. x 15" GALVANIZED EYE BOLTS WITH NUTS AND WASHERS
2	EACH	3/4" DIA. GALVANIZED TURNBUCKLES
20	EACH	3/4" DIA. GALVANIZED CABLE CLAMPS
4	EACH	5" x 5" x 3/4" STEEL WASHER PLATES
2	EACH	PRECAST CONCRETE DEADMAN OR CAST-IN-PLACE CONCRETE DEADMAN
98	FT	12" CREOSOTED TIMBER PILE (INCLUDES FURNISHING AND DRIVING TIMBER PILES)

DETAIL OF FLOOD GATE SUPPORT